

P

Paulmann

Safety Instructions



0,1,2,4,5b,7,8,9,
11,12,15,16,17,19,
20,21,23,25,29

Info Hotline

+49 (0) 5041 998 389

Mon. - Do. 7⁰⁰ - 20⁰⁰

Fr. 7⁰⁰ - 17⁰⁰

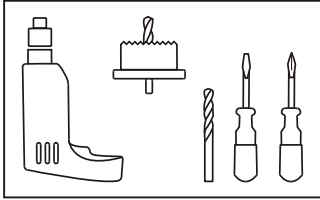


Paulmann Licht GmbH
31832 Springe / Germany
www.paulmann.com

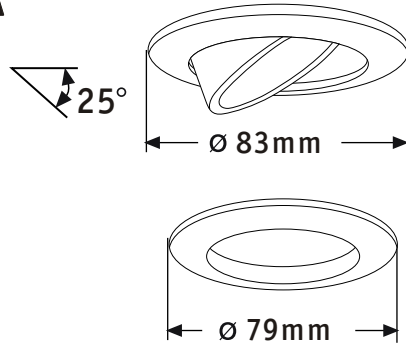
Art.-Nr.:
507000315

(+MA 173)

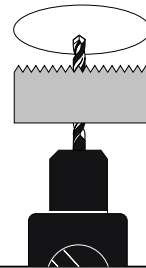
PBO 10/09



A

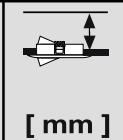
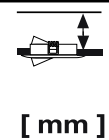
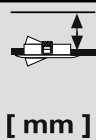
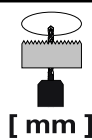
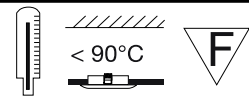
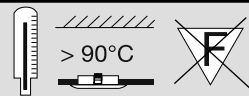
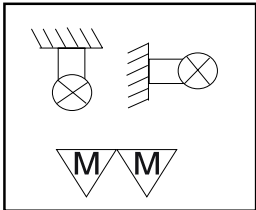


B



C

C



68

50

60

35

60

50

90

70

50

60

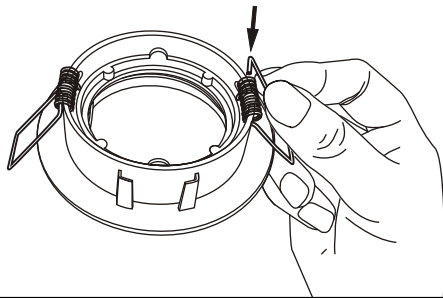
35

60

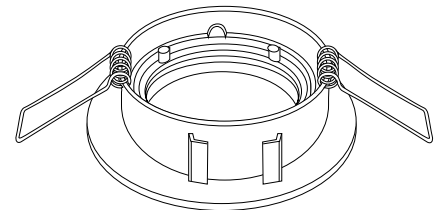
50

90

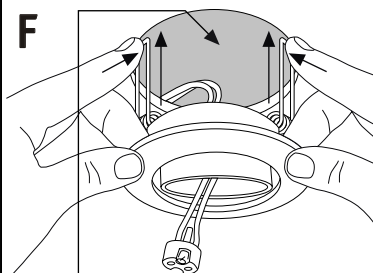
D



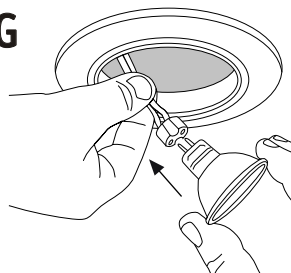
E



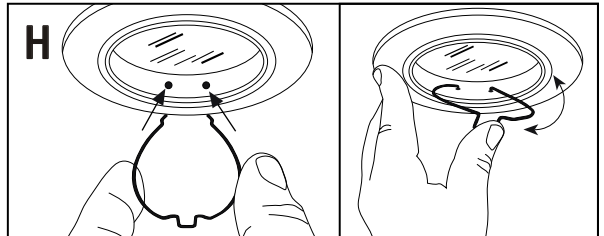
F



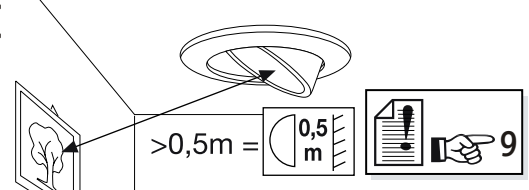
G

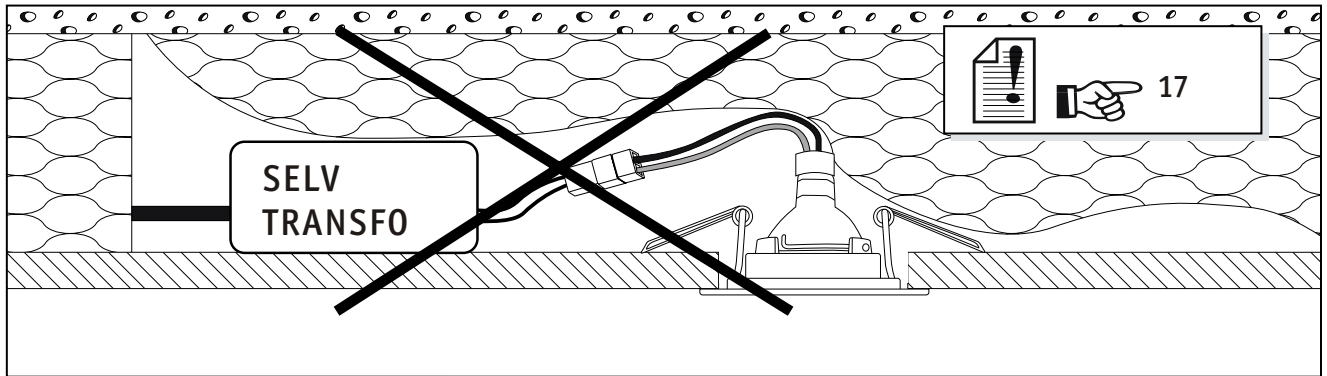
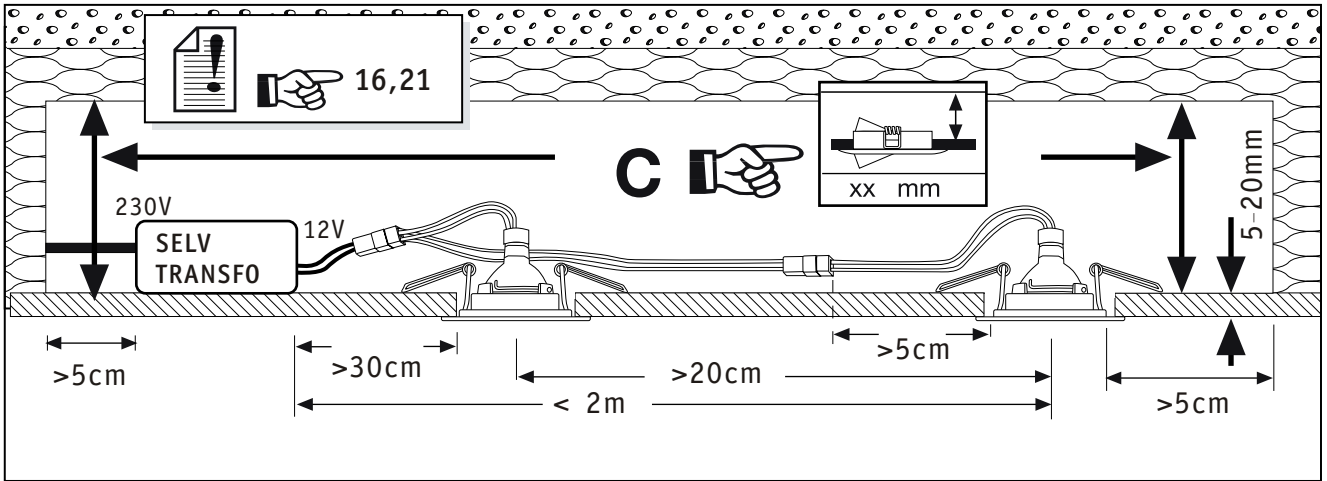



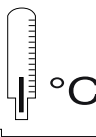




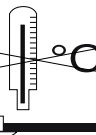
H



I





 <p>COOL BEAM</p> <p>Paulmann</p> <p>SECURITY</p>	 <p>°C</p>	 <p>20 %</p> <p>80 %</p>	 <p>Art.No.:</p> <p>20W51mmGU5,3 832.21</p> <p>35W51mmGU5,3 832.31</p> <p>50W51mmGU5,3 832.51</p>
 <p>COOL BEAM</p>	 <p>°C</p>	 <p>60 %</p> <p>40 %</p>	

