




Safety Instructions



1, 2, 3, 4, 5, 6, 7, 8, 9, 11,
12-Transfo, 13, 15, 16-transfo,
17, 19, 30, 31b, 34



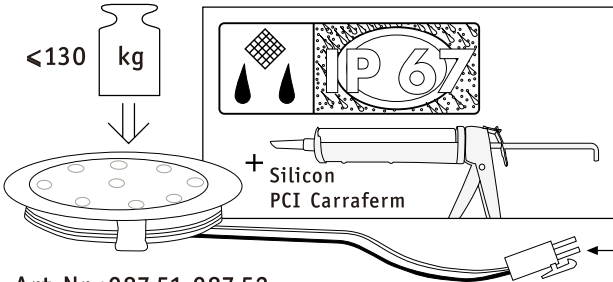
Info Hotline  **+49 (0) 5041 998 389**

Mon. - Do. 7⁰⁰ - 20⁰⁰

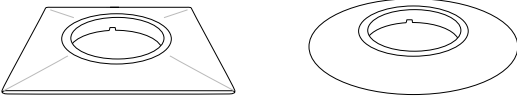
Fr. 7⁰⁰ - 17⁰⁰

Paulmann Licht GmbH
31832 Springe / Germany
www.paulmann.com

Art.-Nr.:
988.57
988.58
988.59
...
(+MA 197)
PSU 05/12



Art.Nr.: 987.51, 987.52
987.56, 987.91
988.59, 937.00
925.63

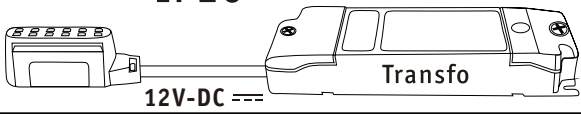


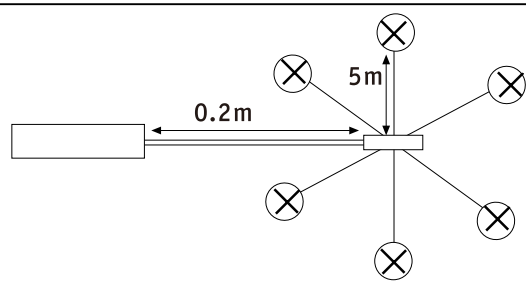
Art.Nr.: 987.79, 987.82
988.58 925.65

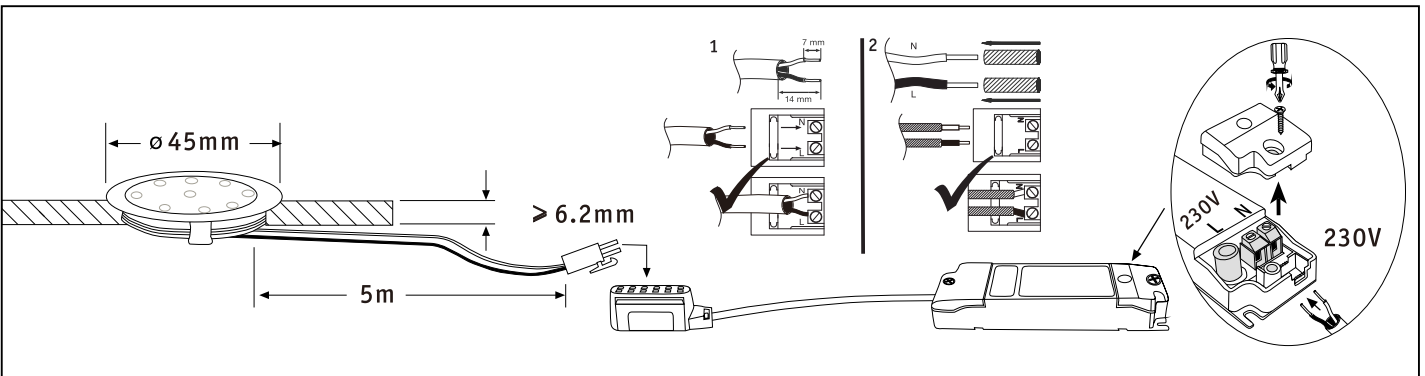
Art.Nr.: 987.77, 987.81
988.57 925.64

LED Power Supply
Art.Nr.: 987.54 (987.57, 987.58,
987.94, 987.97, 937.01)

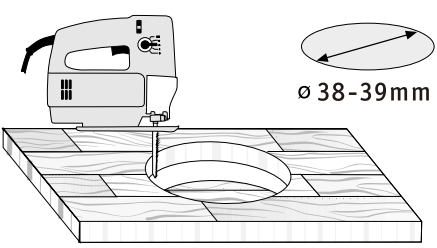
IP20



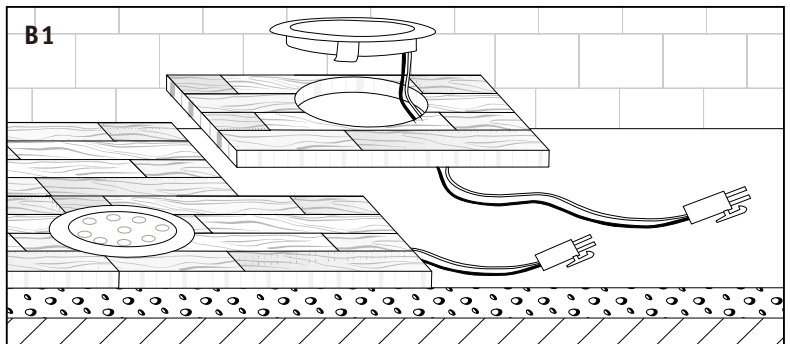




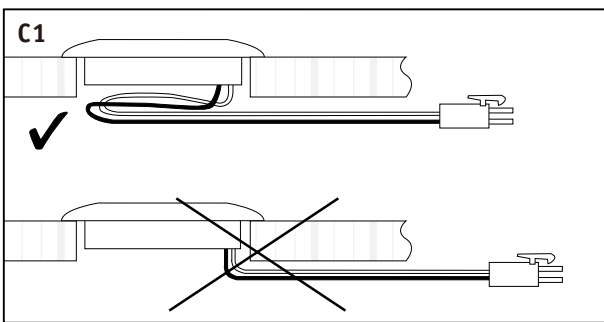
A1



B1



C1



D1

