




0, 1, 4, 5, 6, 7, 8,
13, 14, 15, 16, 17,
18, 19, 21



Info Hotline  **+49 (0) 5041 998 389**
Mon. - Do. 7⁰⁰ - 20⁰⁰
Fr. 7⁰⁰ - 17⁰⁰

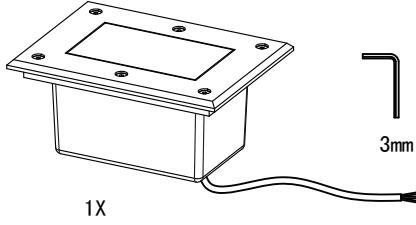
Paulmann Licht GmbH
31832 Springe / Germany
www.paulmann.com

Art.-Nr.:
937.96
937.97

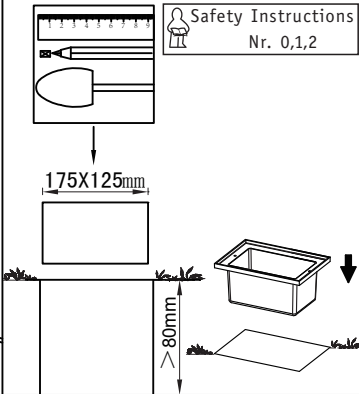
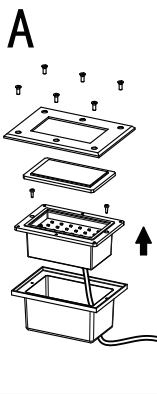
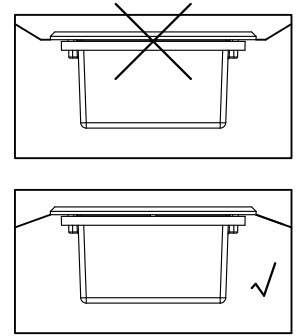
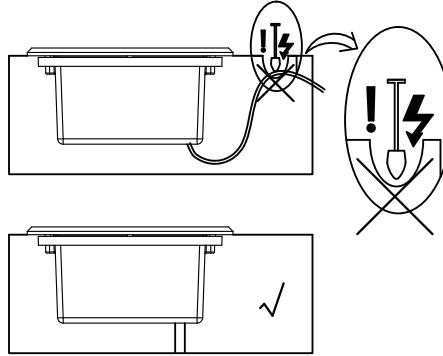
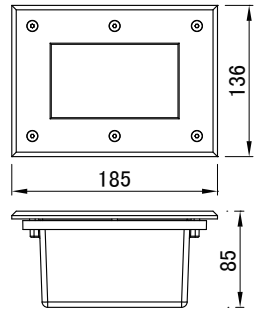
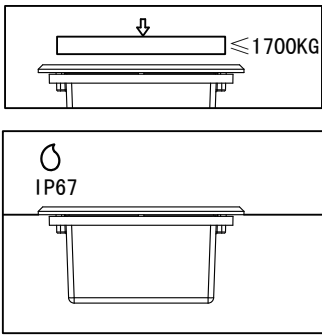
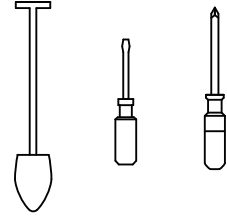
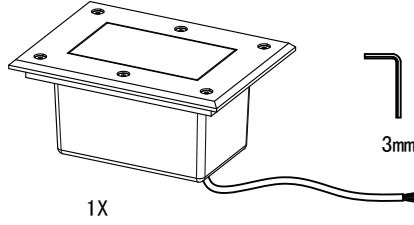
(+MA 230)

PYU 01/14

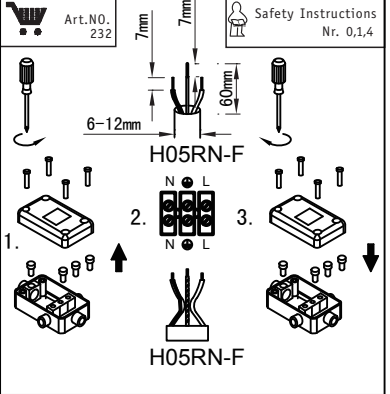
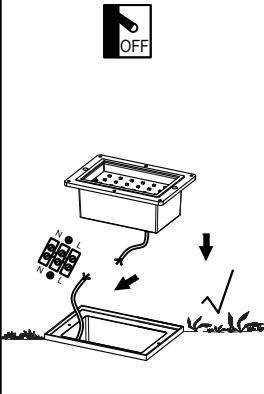
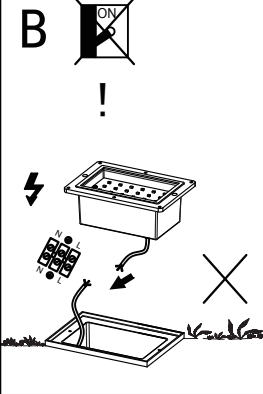
937.96



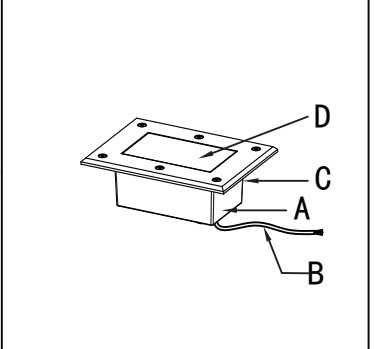
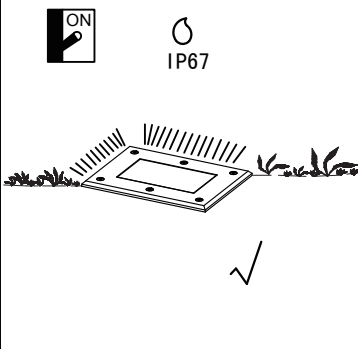
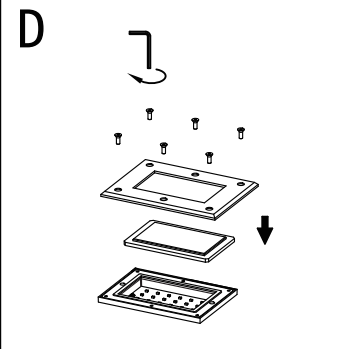
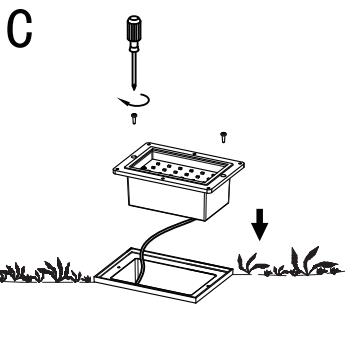
937.97



Safety Instructions
Nr. 0,1,2



Safety Instructions
Nr. 0,1,4



Art.NO. 232

