



Safety Instructions



0,1,2,3,4,5a,5b,6,7,8,9,11,
15,20,22,26,27



Info Hotline **+49 (0) 5041 998 389**

Mon. - Do. 7⁰⁰ - 20⁰⁰
Fr. 7⁰⁰ - 17⁰⁰



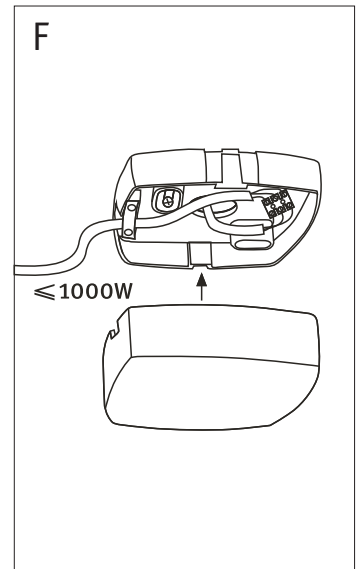
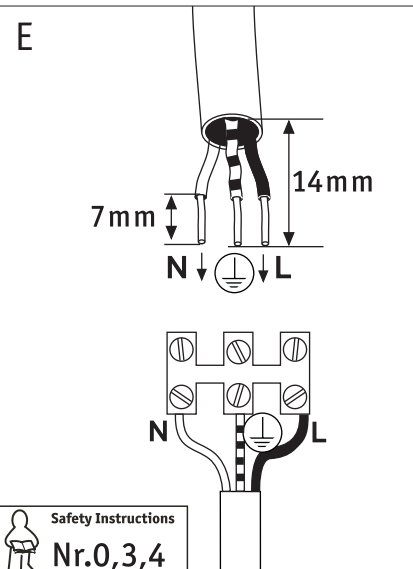
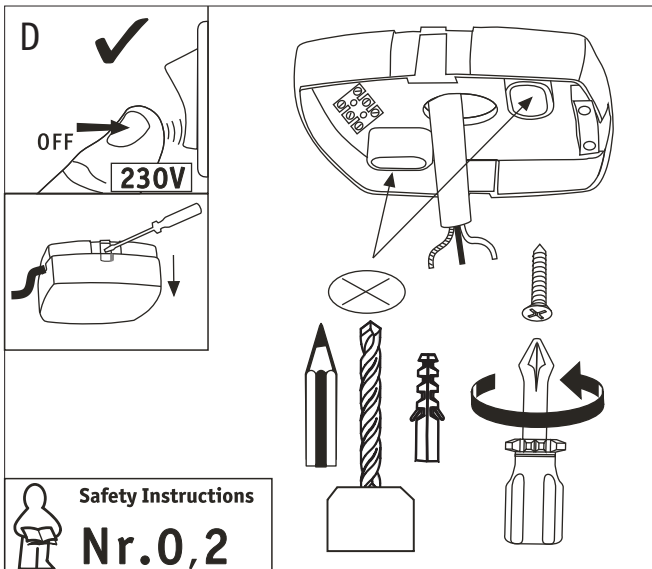
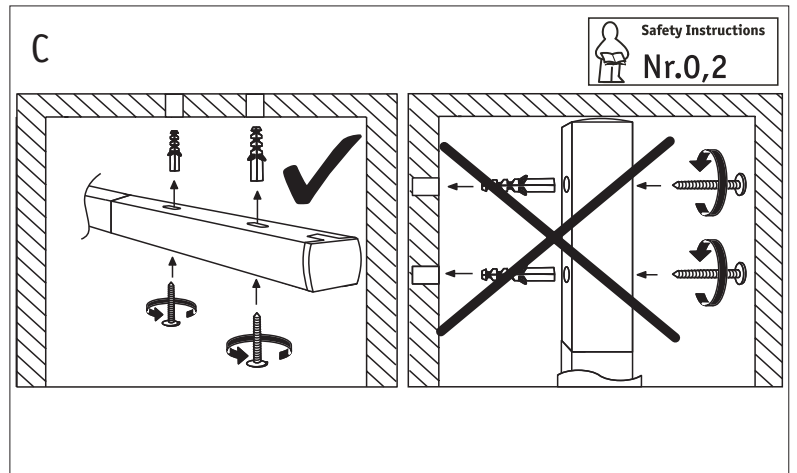
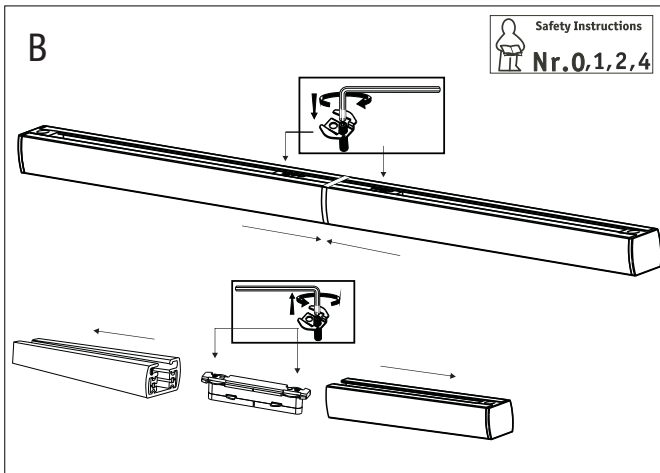
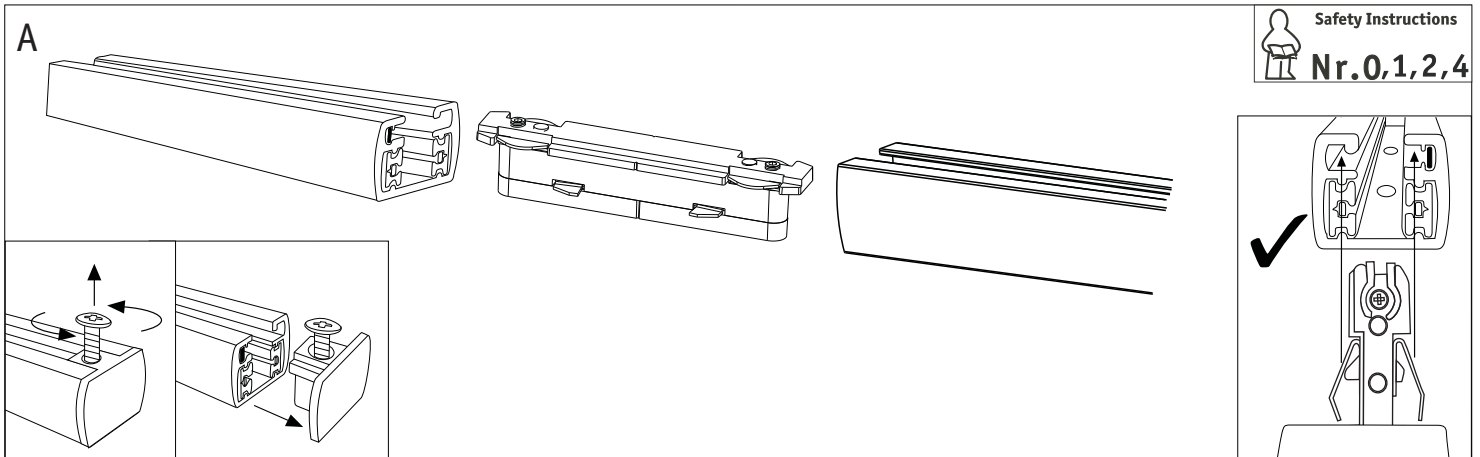
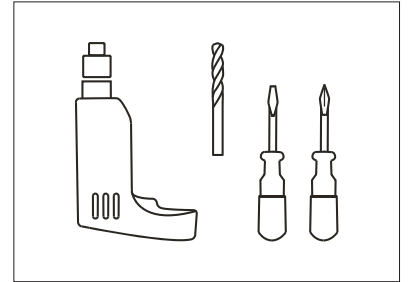
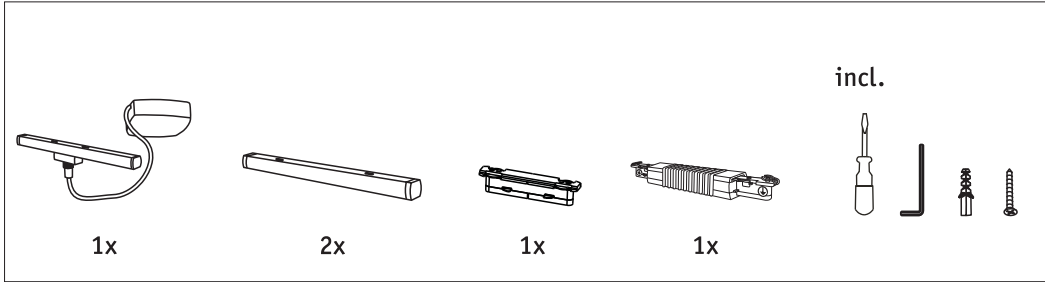
Paulmann Licht GmbH
Quezinger Feld 2
31832 Springe/Germany
www.paulmann.com

Art.-Nr.:

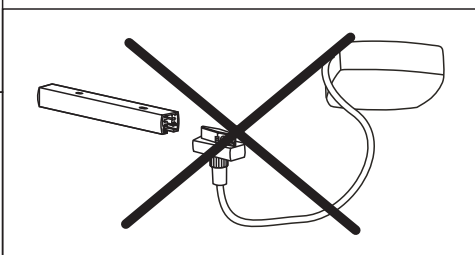
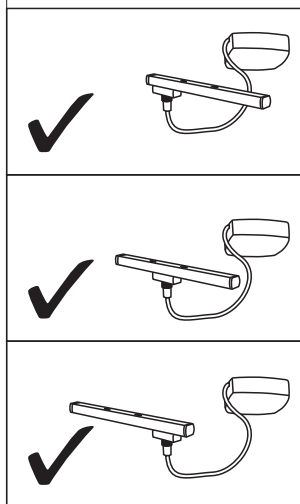
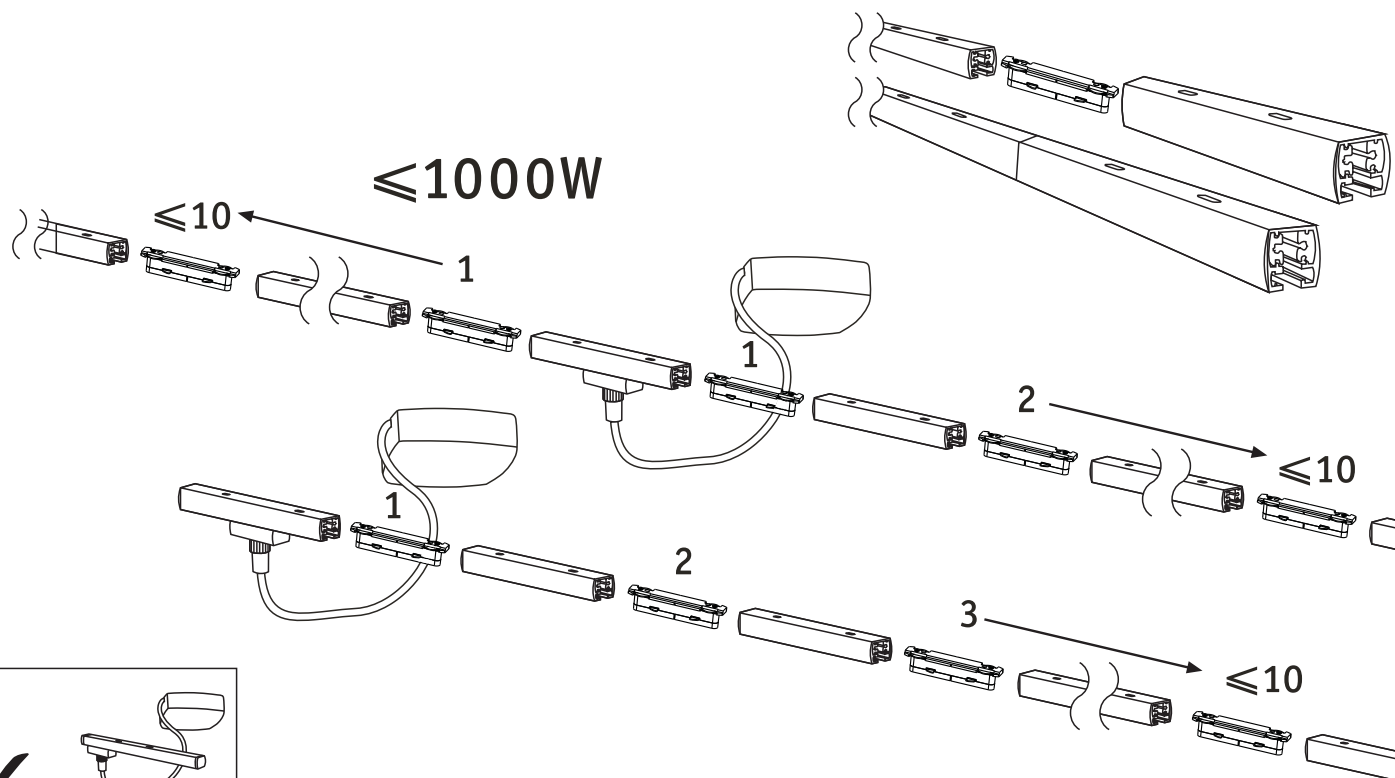
950.16
950.17
950.18


(+MA 173)

PH 04/14



J



 Safety Instructions
Nr.6,9

