



Safety Instructions



0,1,4,6,7,8,9,11,15,
23,26,27

 Info Hotline

+49 (0) 5041 998 389

Mon. - Do. 7⁰⁰ - 20⁰⁰

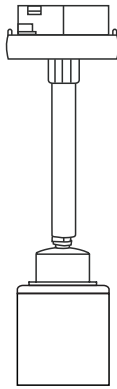
Fr. 7⁰⁰ - 17⁰⁰



Paulmann Licht GmbH
31832 Springe / Germany
www.paulmann.com

Art.-Nr.:
951.18

(+MA 173)
PH 05/12



1x

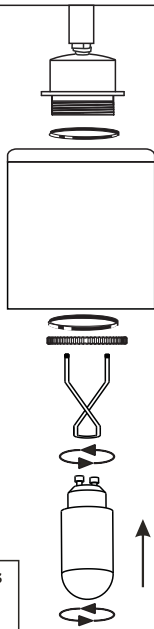


1x



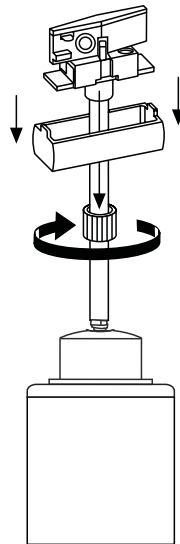
1x

A

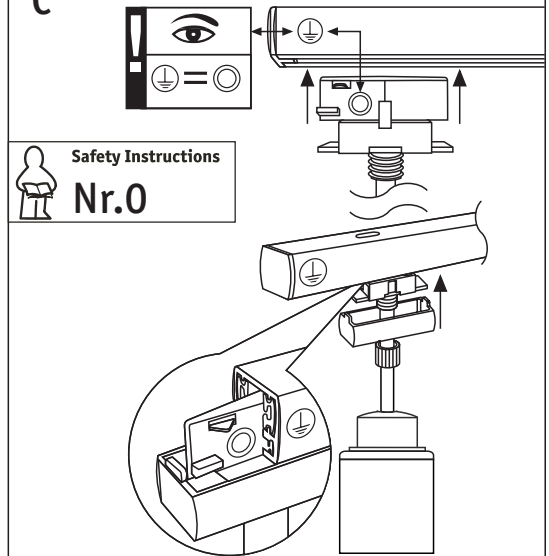


 Safety Instructions
Nr.7,8

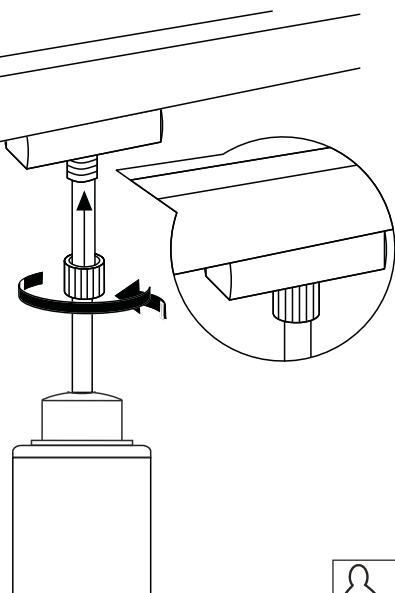
B



C



D



 Safety Instructions
Nr.0.4

B,C,D

A



Art.No.
3.5W 30mm Gu10 281.67