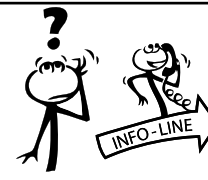


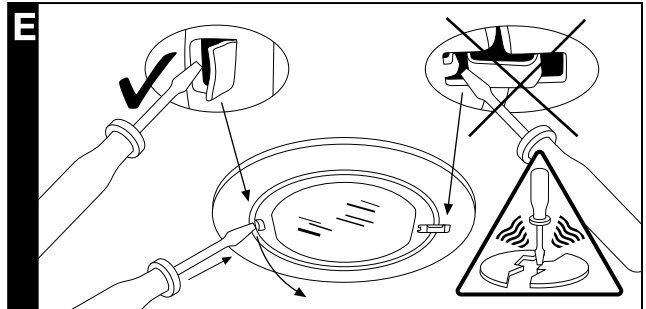
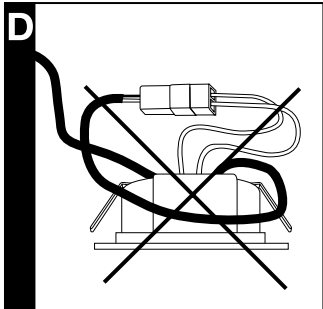
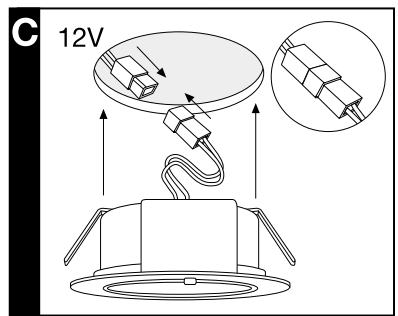
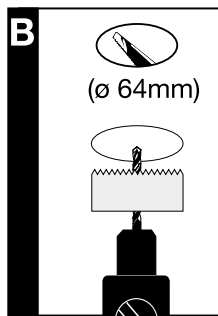
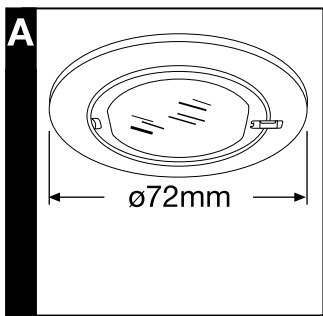
Safety Instructions

0, 1, 2, 4, 5b, 7, 8, 9,
11, 12, 15, 16, 17, 19,
20, 21, 22, 23, 29

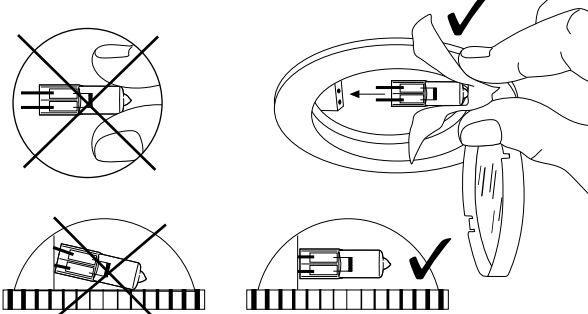



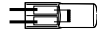

Paulmann Licht GmbH
Quezinger Feld 2
D-31832 Springe
www.paulmann.com

+49 (0) 5041 998 389
Mon.-Do. ☎ 7⁰⁰-20⁰⁰
Fr. ☎ 7⁰⁰-17⁰⁰



F



		10W G4	831.109
		20W G4	831.209

