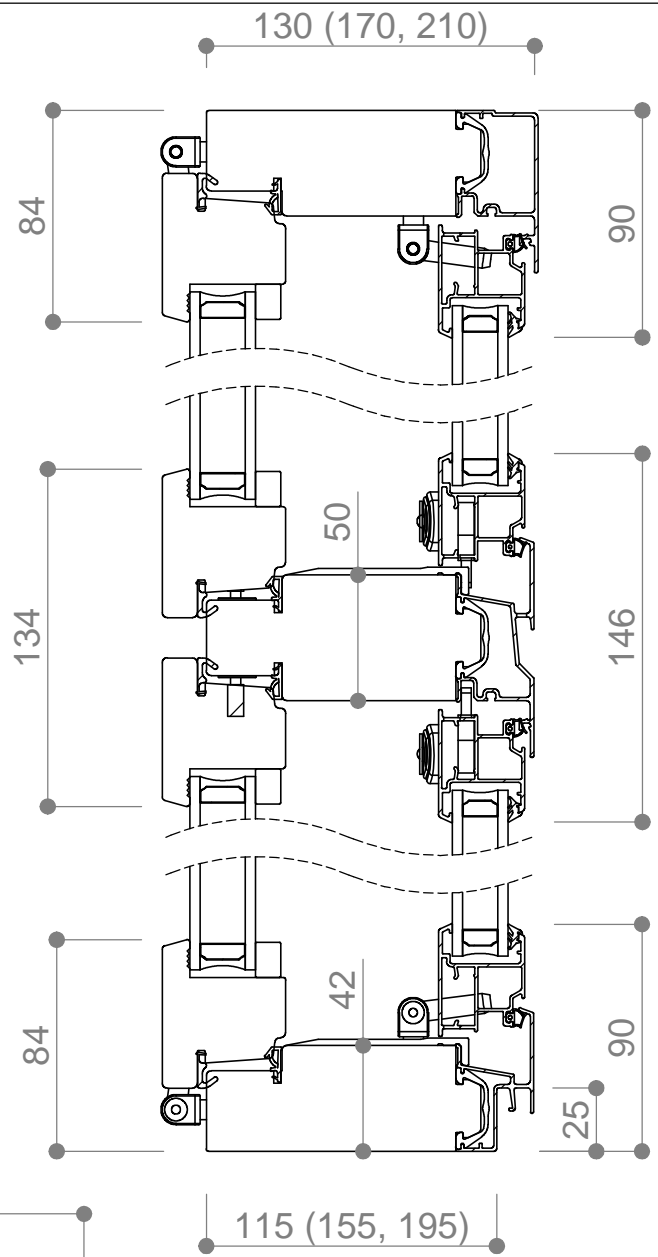
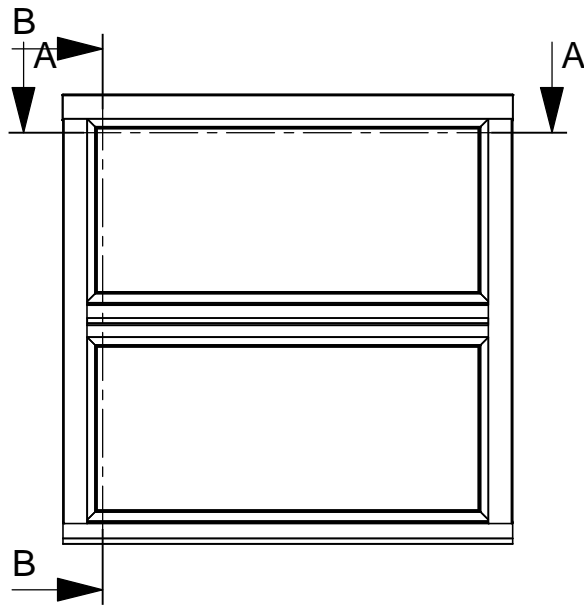
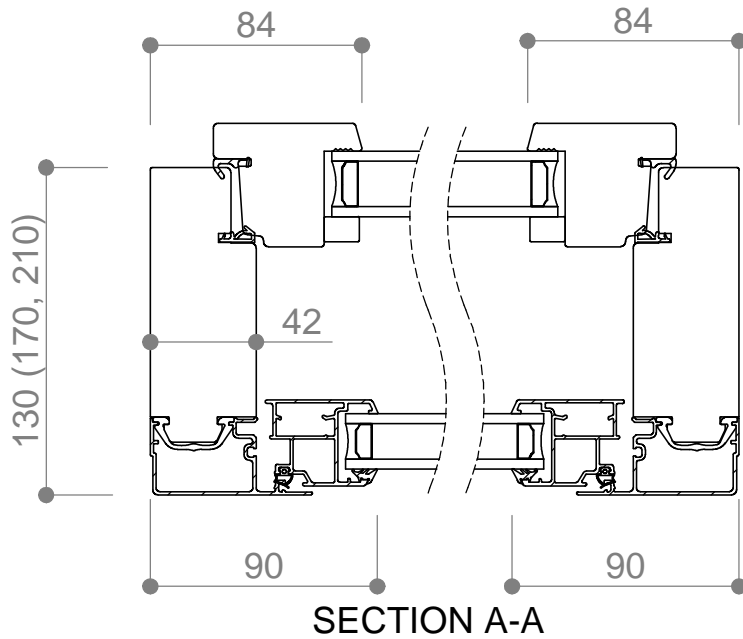


We reserve all rights in this document and in the information contained therein.
 Reproduction, use or disclosure to third parties without express authority is strictly forbidden.
 INWIDO



Pihla

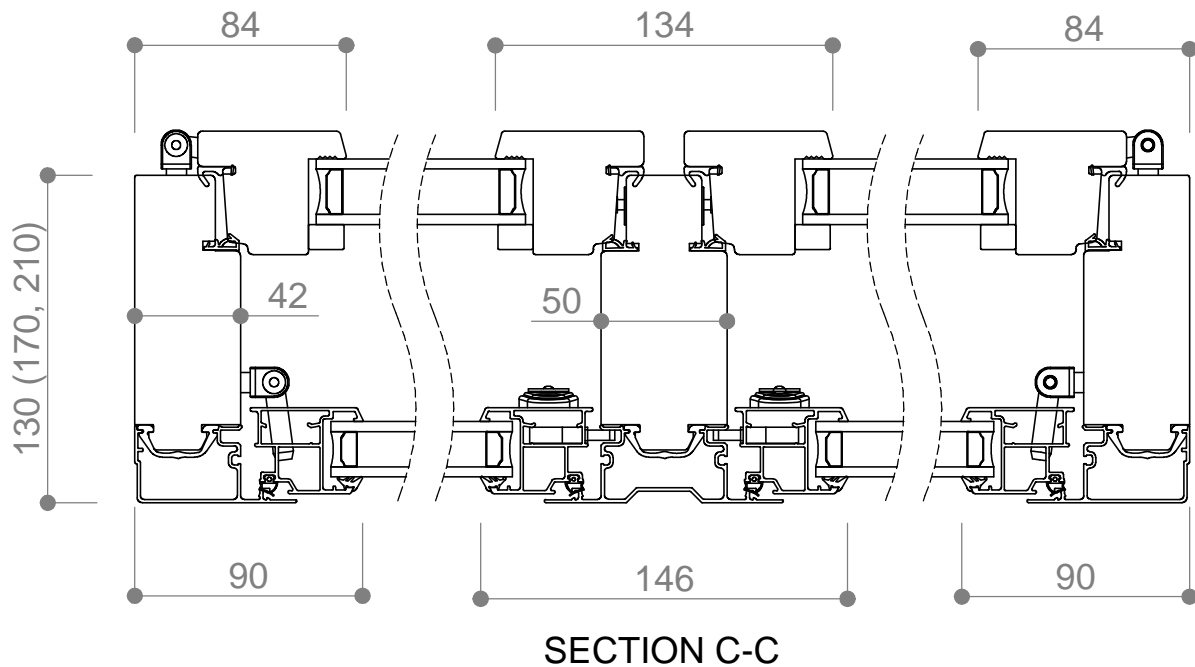
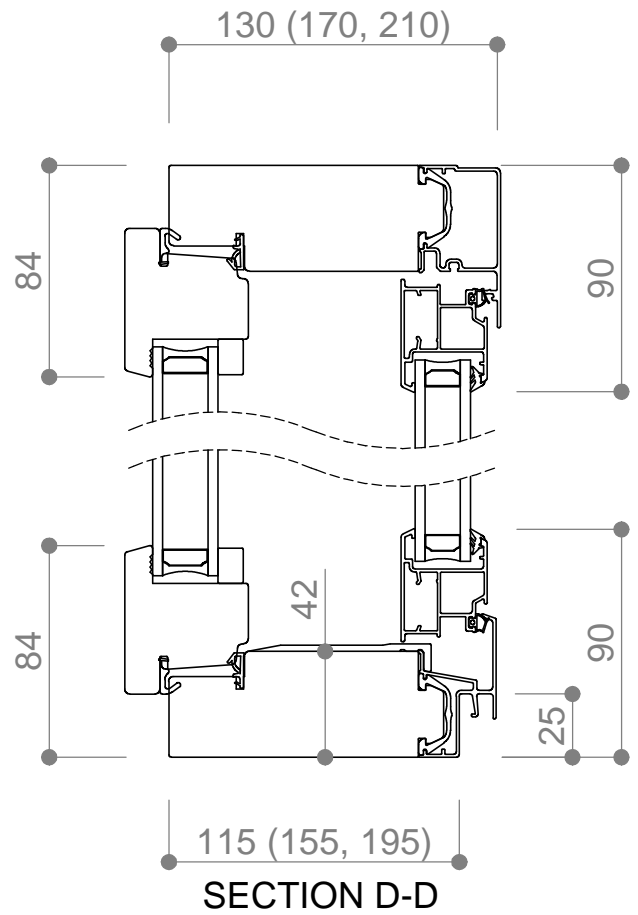
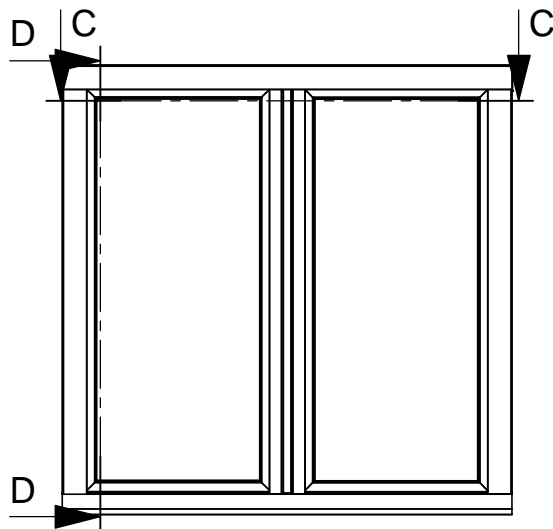
Product Category
Window

MSEA 2+2
 Vaakavälrikarmilla
 Pihla Termo eS

Product Type
Side Hung - Inward

Designed by ML	Designed date 2014-09-22	View orientation
Approved by ML	Approved date 2015-02-09	Scale 1:20
Drawing Number 110694	Revision B	

We reserve all rights in this document and in the information contained therein.
 Reproduction, use or disclosure to third parties without express authority is strictly forbidden.
 INWIDO



Pihla

Product Category
Window

Pihla Termo eS
 Pystyväläkarmilla
 MSEA 2+2

Product Type
Side Hung - Inward

Designed by ML	Designed date 2014-09-18	View orientation
Approved by ML	Approved date 2015-02-09	Scale 1:20
Drawing Number 110520	Revision B	