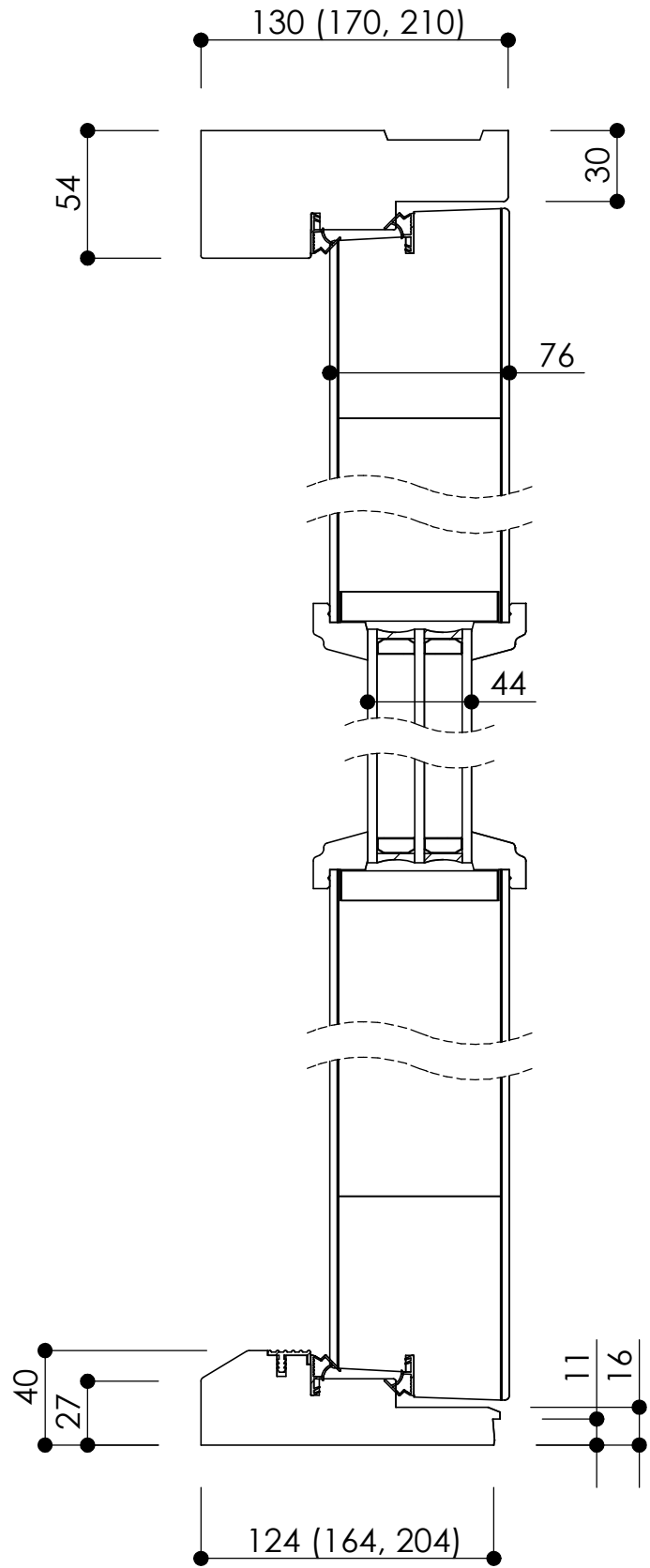
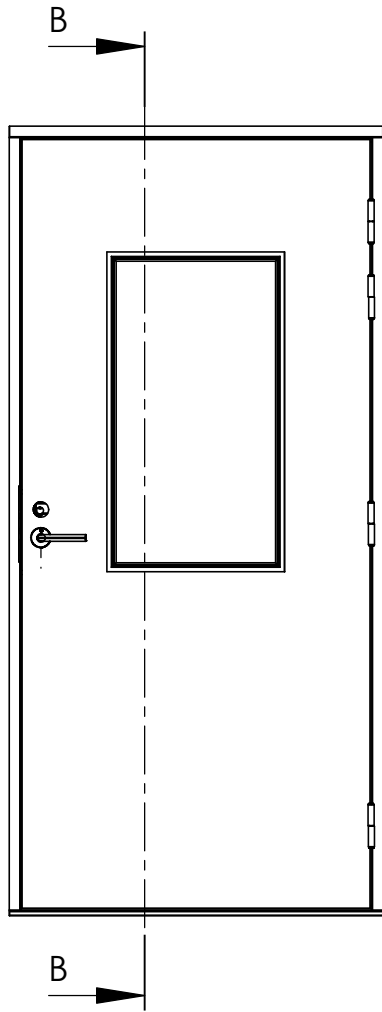

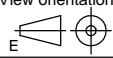


We reserve all rights in this document and in the information contained therein.  
 Reproduction, use or disclosure to third parties without express authority is strictly forbidden.  
 INWIDO



SECTION B-B

	Product Category		Product Type		
	Door		Entrance - Outward		
	Pihla Ulko-ovi e		Designed by	Designed date	View orientation
	Pihla Entrance door		ML	2014-01-31	
			Approved by	Approved date	Scale
		ML	2015-02-09	1:20	
		Drawing Number	Revision		
		103321	B		