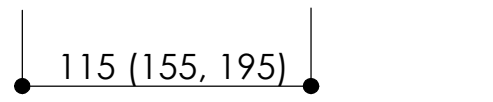
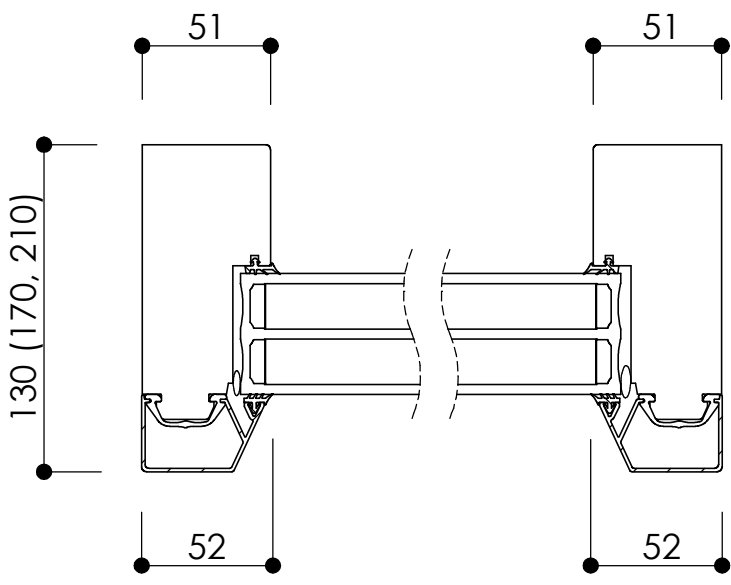
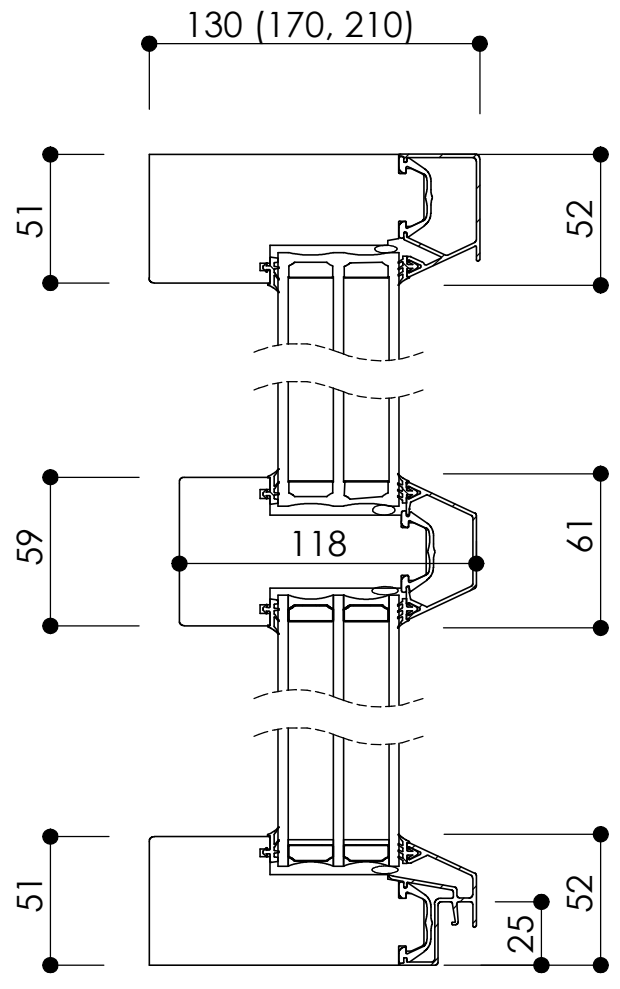
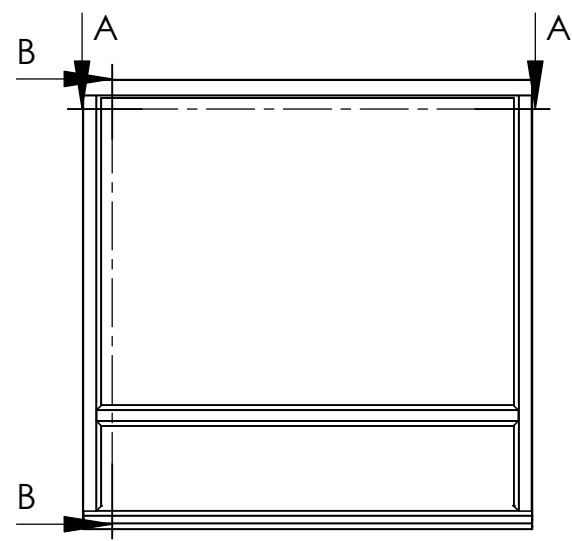


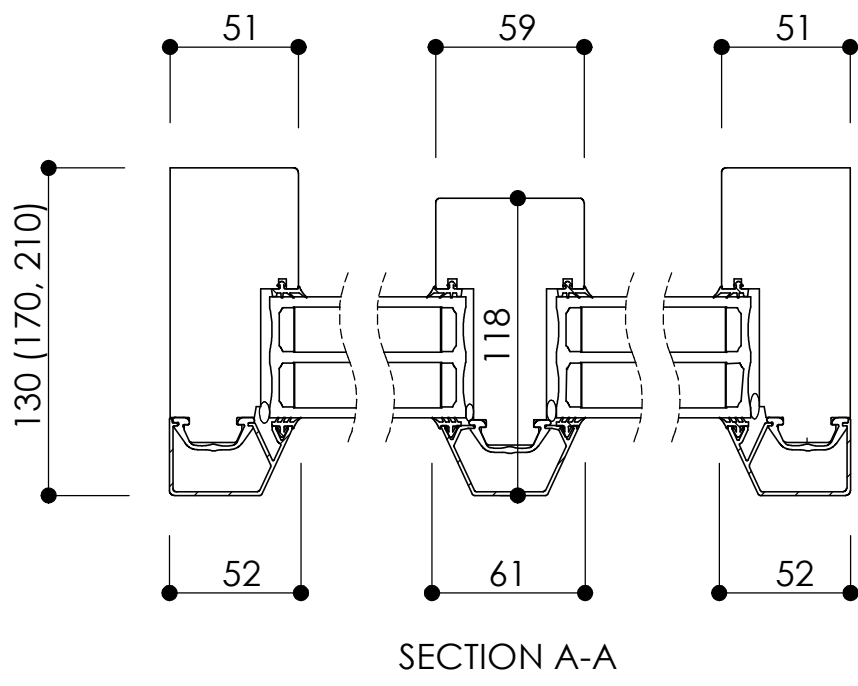
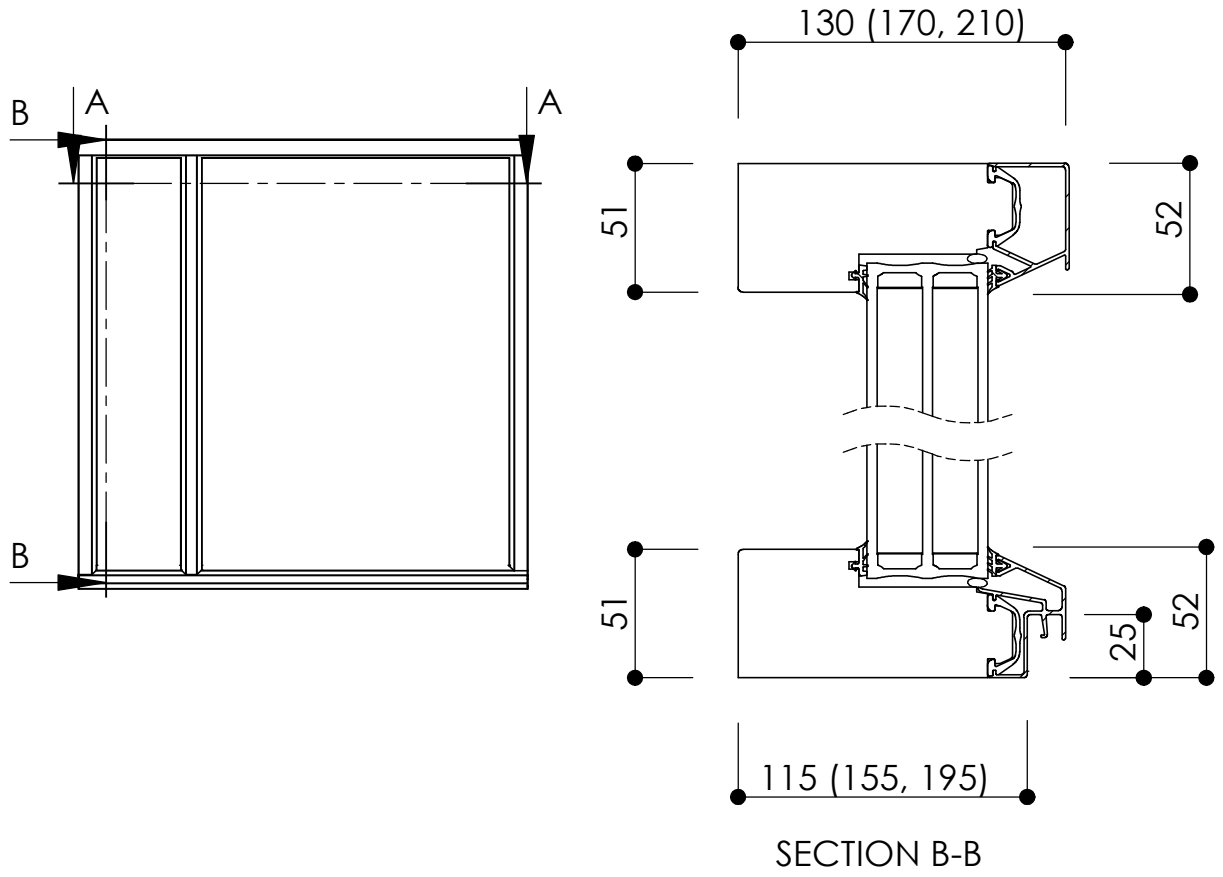
We reserve all rights in this document and in the information contained therein.
 Reproduction, use or disclosure to third parties without express authority is strictly forbidden.
 INWIDO




SECTION A-A

	Product Category	Window			Product Type	Fixed		
	MEK	Designed by	ML	Designed date	2014-11-18	View orientation		
	Vaakavälikarmilla	Approved by	ML	Approved date	2015-02-09	Scale		
	Pihla Kiinteä eS	Drawing Number	112887			Revision		
						A		

We reserve all rights in this document and in the information contained therein.
 Reproduction, use or disclosure to third parties without express authority is strictly forbidden.
 INWIDO



	Product Category	Window			Product Type	Fixed	
	MEK	Designed by	ML	Designed date	2014-11-18	View orientation	
	Pystyvälikarmilla	Approved by	ML	Approved date	2015-02-09	Scale	
	Pihla Kiinteä eS	Drawing Number	112887		Revision		A