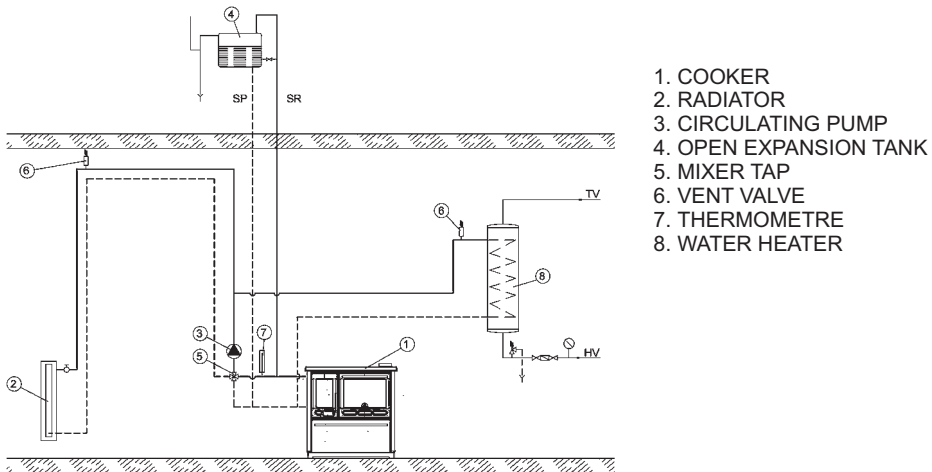


COOKER INSTALLATION (schematic diagram):



- 1. COOKER
- 2. RADIATOR
- 3. CIRCULATING PUMP
- 4. OPEN EXPANSION TANK
- 5. MIXER TAP
- 6. VENT VALVE
- 7. THERMOMETRE
- 8. WATER HEATER

Figure 4

CENTRAL HEATING SYSTEM (schematic diagram):

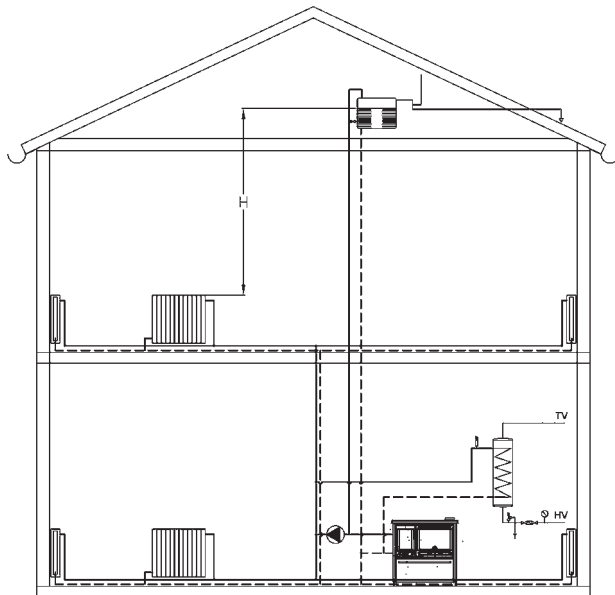


Figure 5

WE RESERVE THE RIGHT TO MAKE MODIFICATIONS NOT AFFECTING THE FUNCTIONALITY AND SAFETY OF THE APPLIANCE!