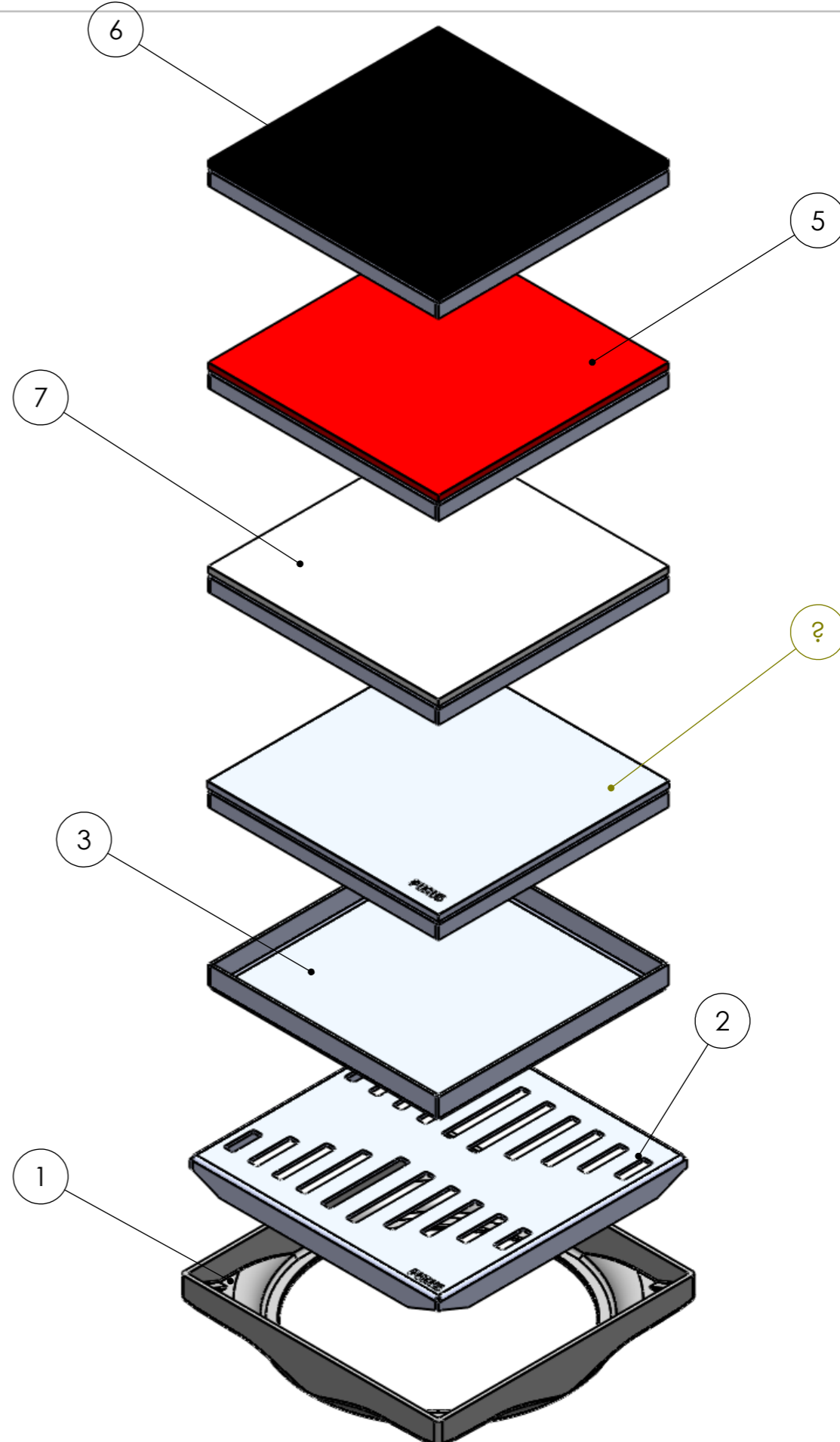
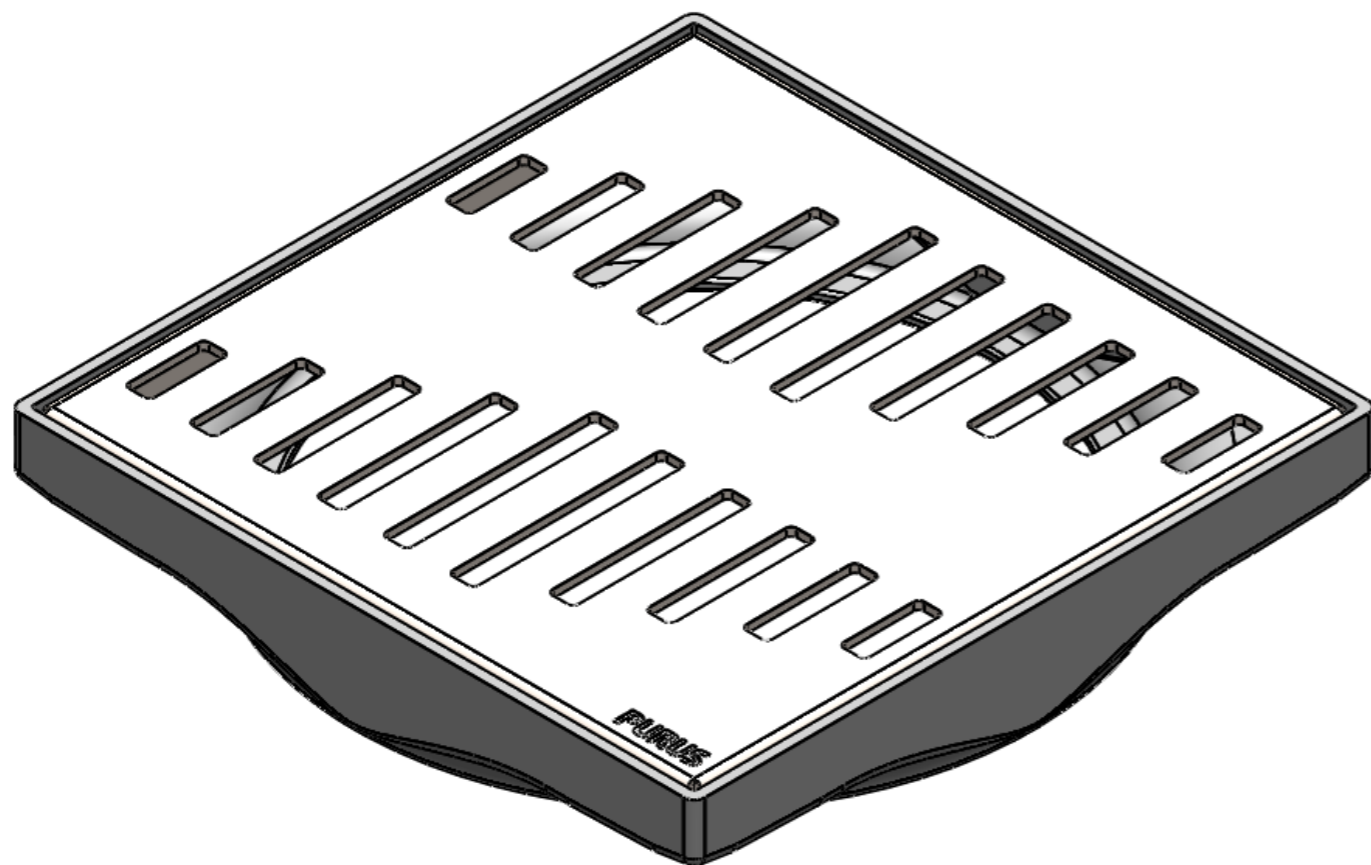


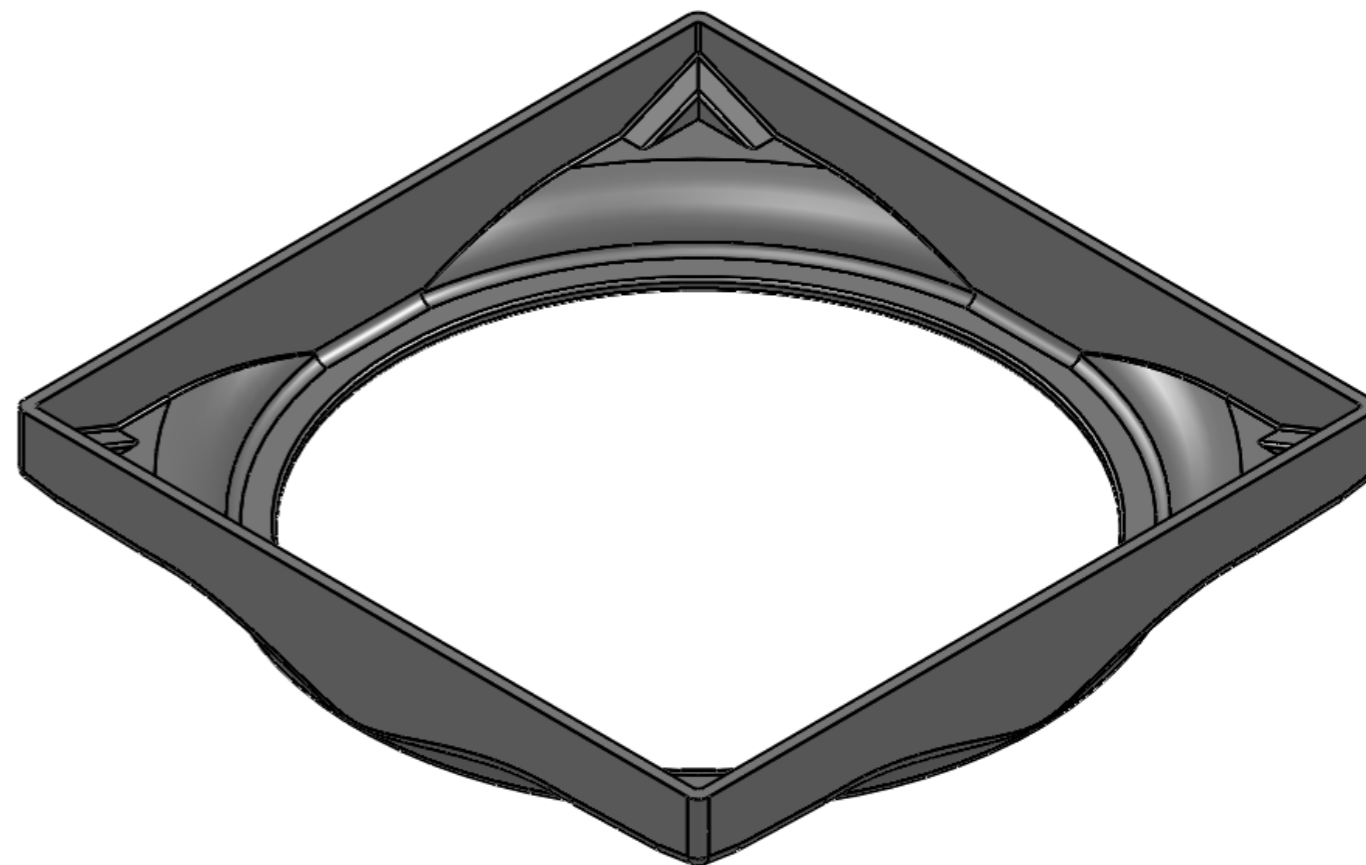
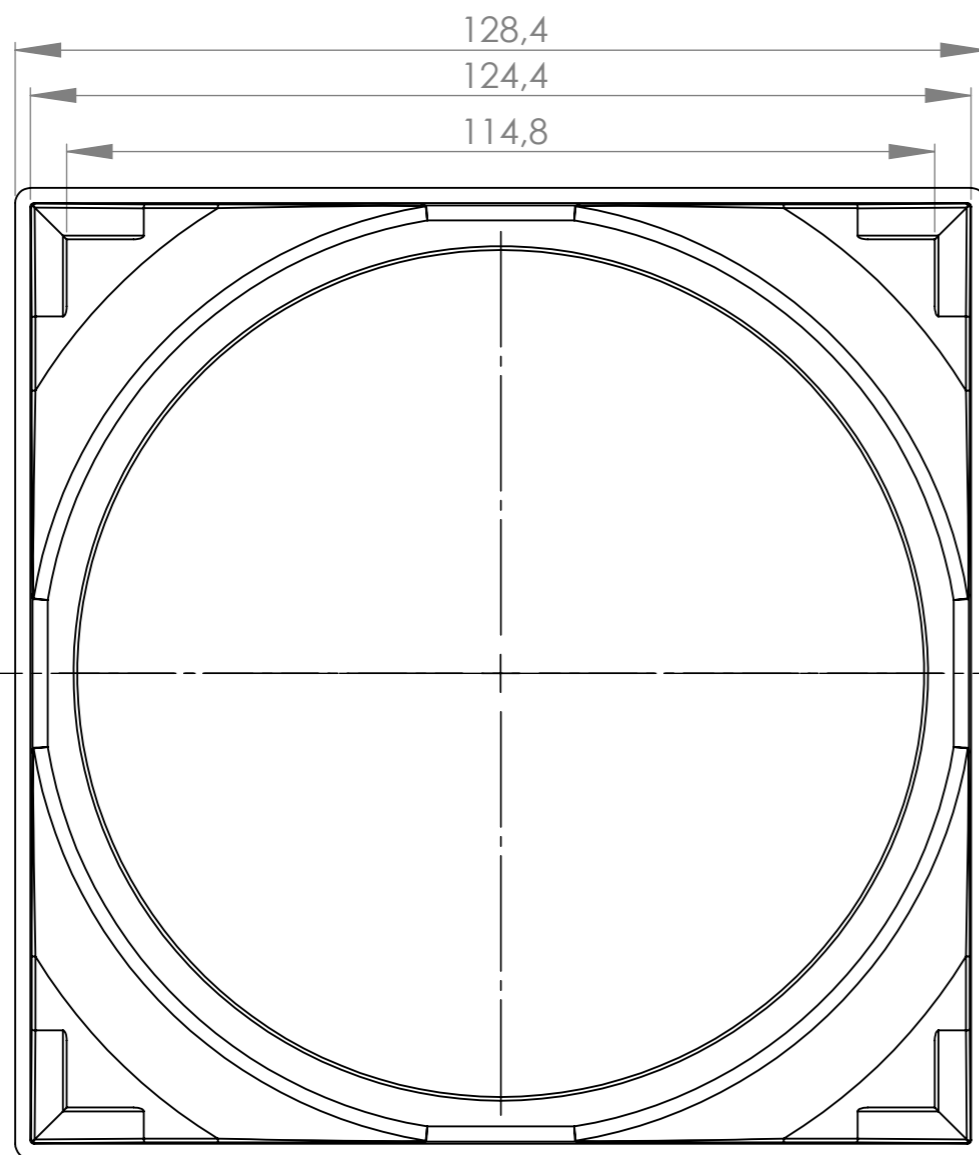
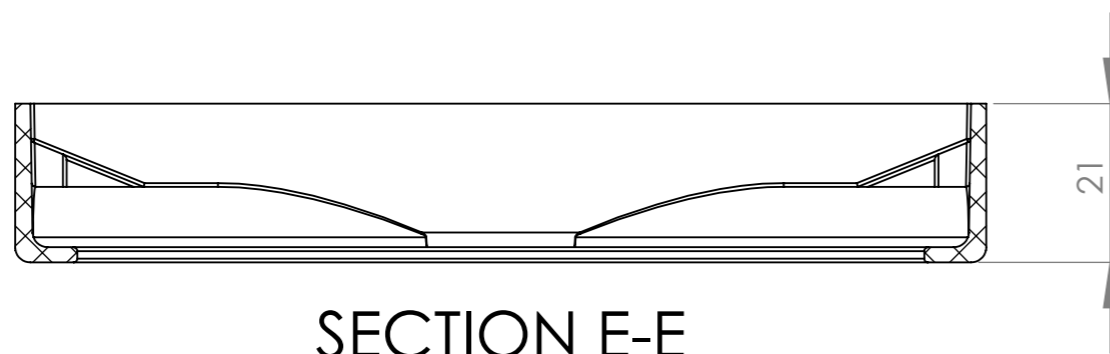
This document must not be copied without our written permission, and the contents thereof must not be imported to a third party nor be used for any unauthorized purpose. Contravention will be prosecuted. Purus AB



ITEM NO.	PART NUMBER	DESCRIPTION	QTY.
1	25050	Purus Basic Frame 130	1
2	854324	Basic Twist 130	1
3	854330	Laatta 130	1
4	854331	Teräs 130	1
	854332	Teräs pohja 130	1
	854333	Teräs 130	1
5	854326-R	Pral 130 Red	1
	854332	Underdel Platinum +Pral 130	1
	854328-R	Pralämne 130 Red	1
6	854326-B	Pral 130 Black	1
	854332	Underdel Platinum +Pral 130	1
	854328-B	Pralämne 130 Black	1
7	854326-W	Pral 130 White	1
	854332	Underdel Platinum +Pral 130	1
	854328-W	Pralämne 130 White	1

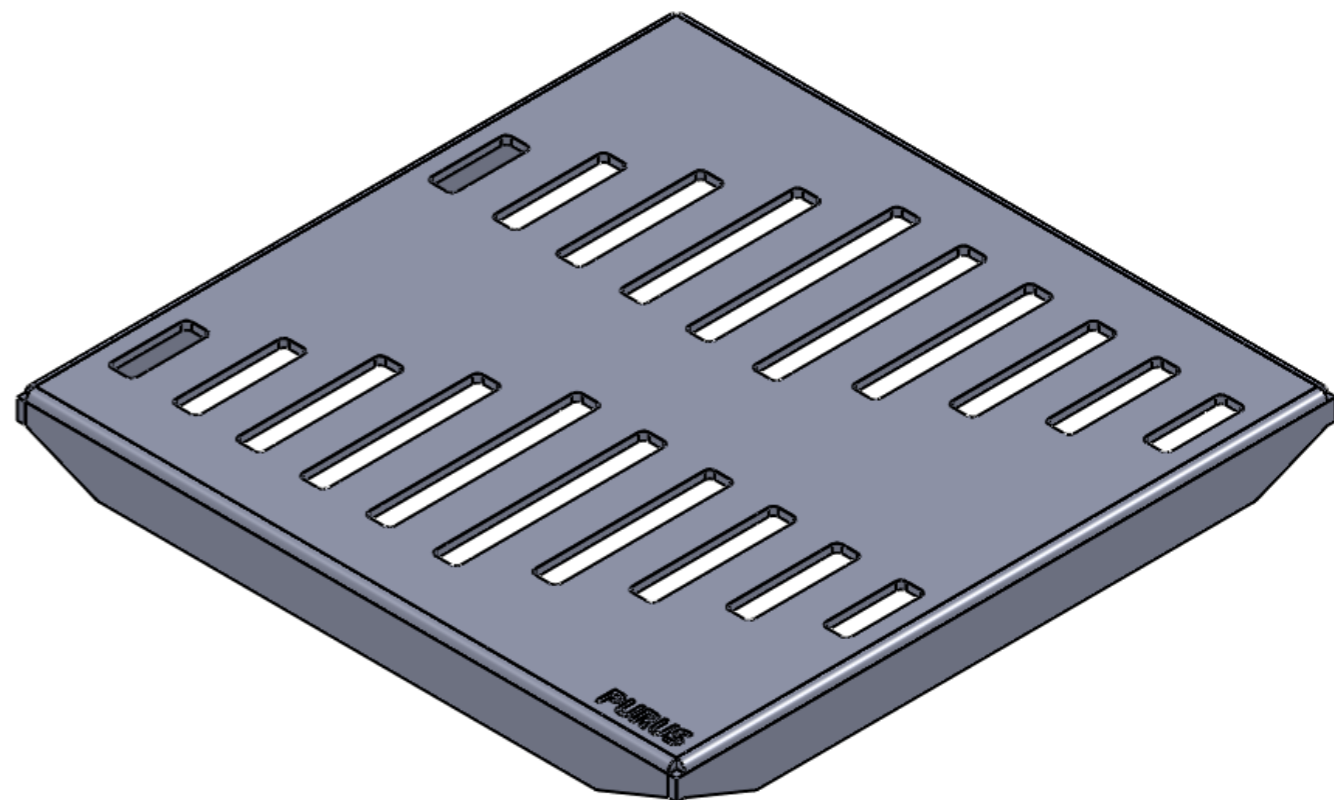
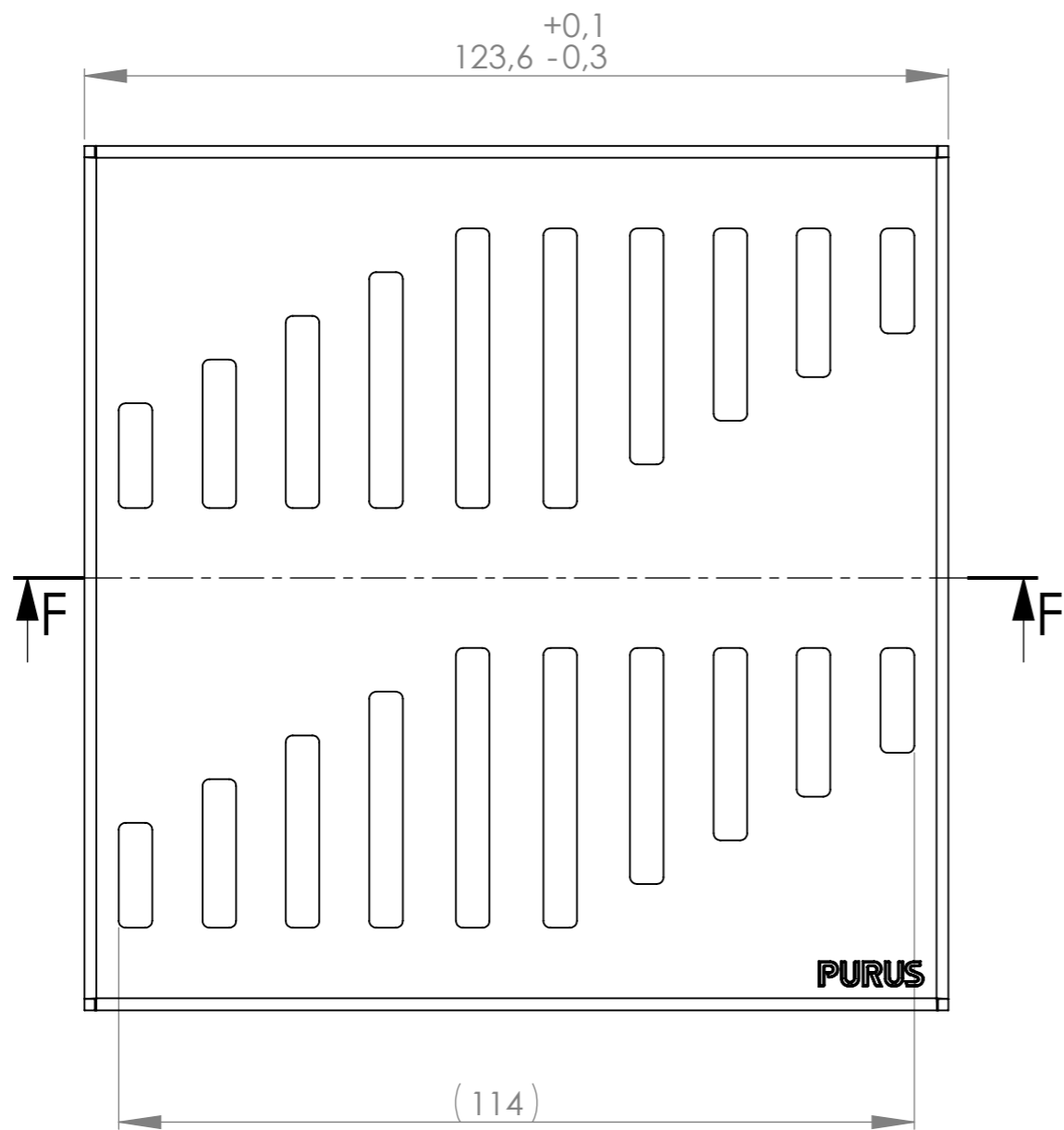
Project no 4062	Annotation	Scale 1:2	Page 1(8)	Surface treatment A3	General tolerance. ISO 2768-1	Weight (gram)	Volume (cm3)	Approved by EP	Date 11-12-16
				Material		RSK no		Designer EP	
Name Purus Basic 130							Article no		Edition

This document must not be copied without our written permission, and the contents thereof must not be imported to a third party nor be used for any unauthorized purpose. Contravention will be prosecuted. Purus AB



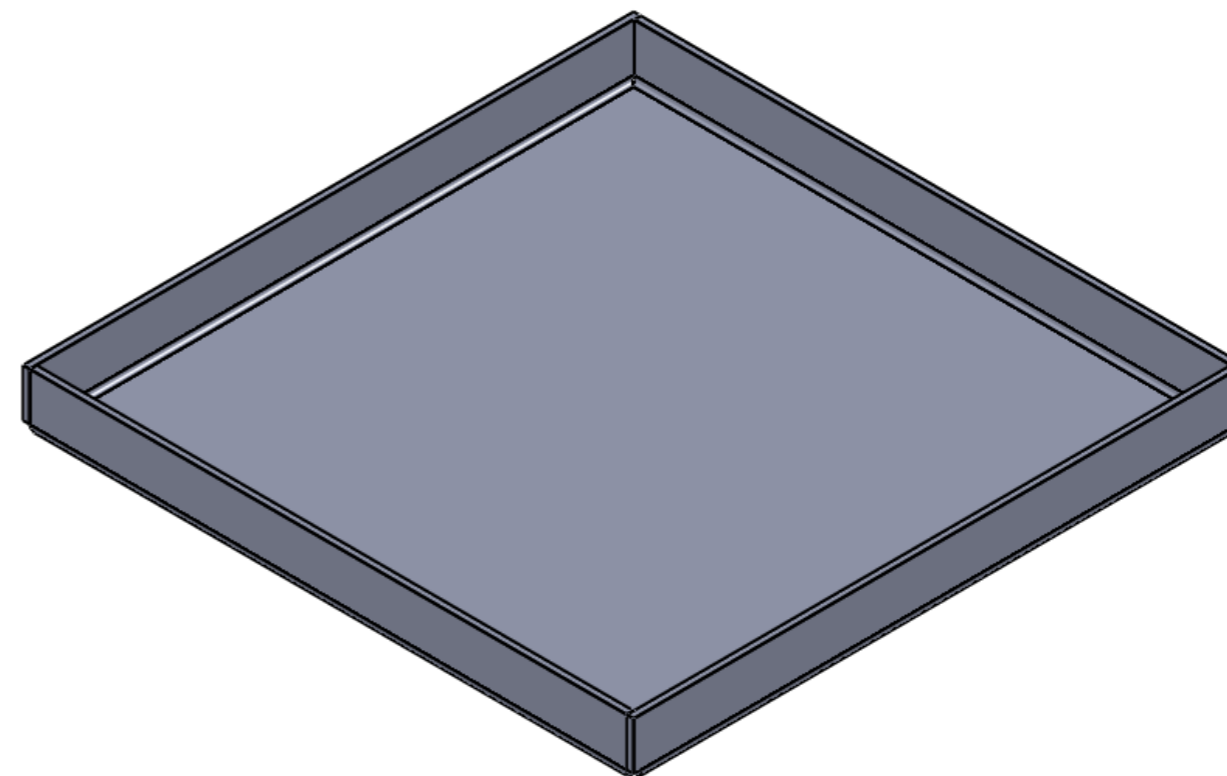
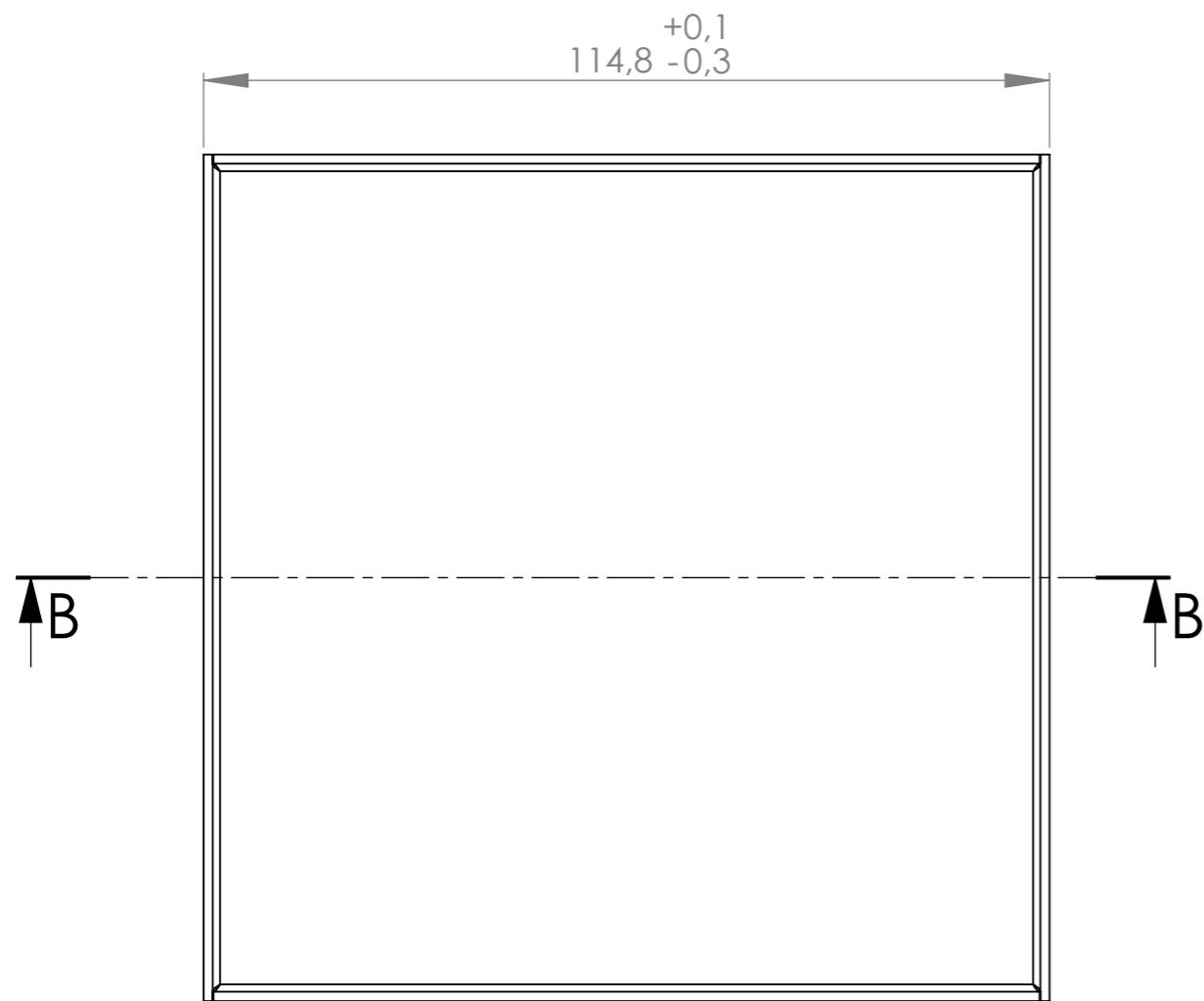
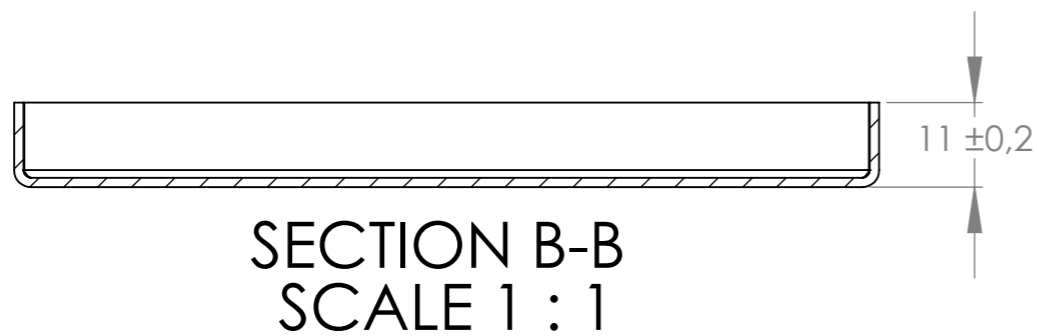
Project no	Annotation	Scale		Page	Surface treatment	This drawing replace		Date	
	-	1:1		2(8)	A3_	-		-	
PURUS		Material		General tolerance. ISO 2768-1	Weight (gram)	Volume (cm ³)	Approved by	Date	
		ABS PC		-	32.25	30.14	-	-	
		Name		RSK no		Designer		Created date	
		Purus Basic Frame 130				SwS		2011-07-05	
				Article no		Edition			
				25050		1			

This document must not be copied without our written permission, and the contents thereof must not be imported to a third party nor be used for any unauthorized purpose. Contravention will be prosecuted. Purus AB



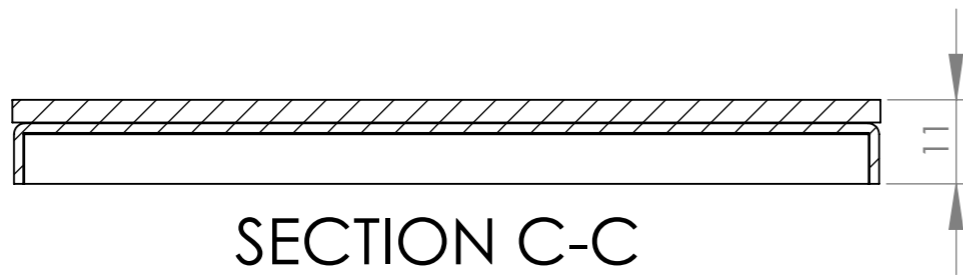
Project no 4062	Annotation	Scale 1:1		Page 3(8)	A3	Surface treatment	This drawing replace	Date	
PURUS		Material	Weight (gram)		General tolerance. ISO 2768-1	Volume (cm3)	Approved by	Date	
Name Square Basic 130		RSK no		Designer EP	Created date 11-09-21		Article no 854324		Edition

This document must not be copied without our written permission, and the contents thereof must not be imported to a third party nor be used for any unauthorized purpose. Contravention will be prosecuted. Purus AB

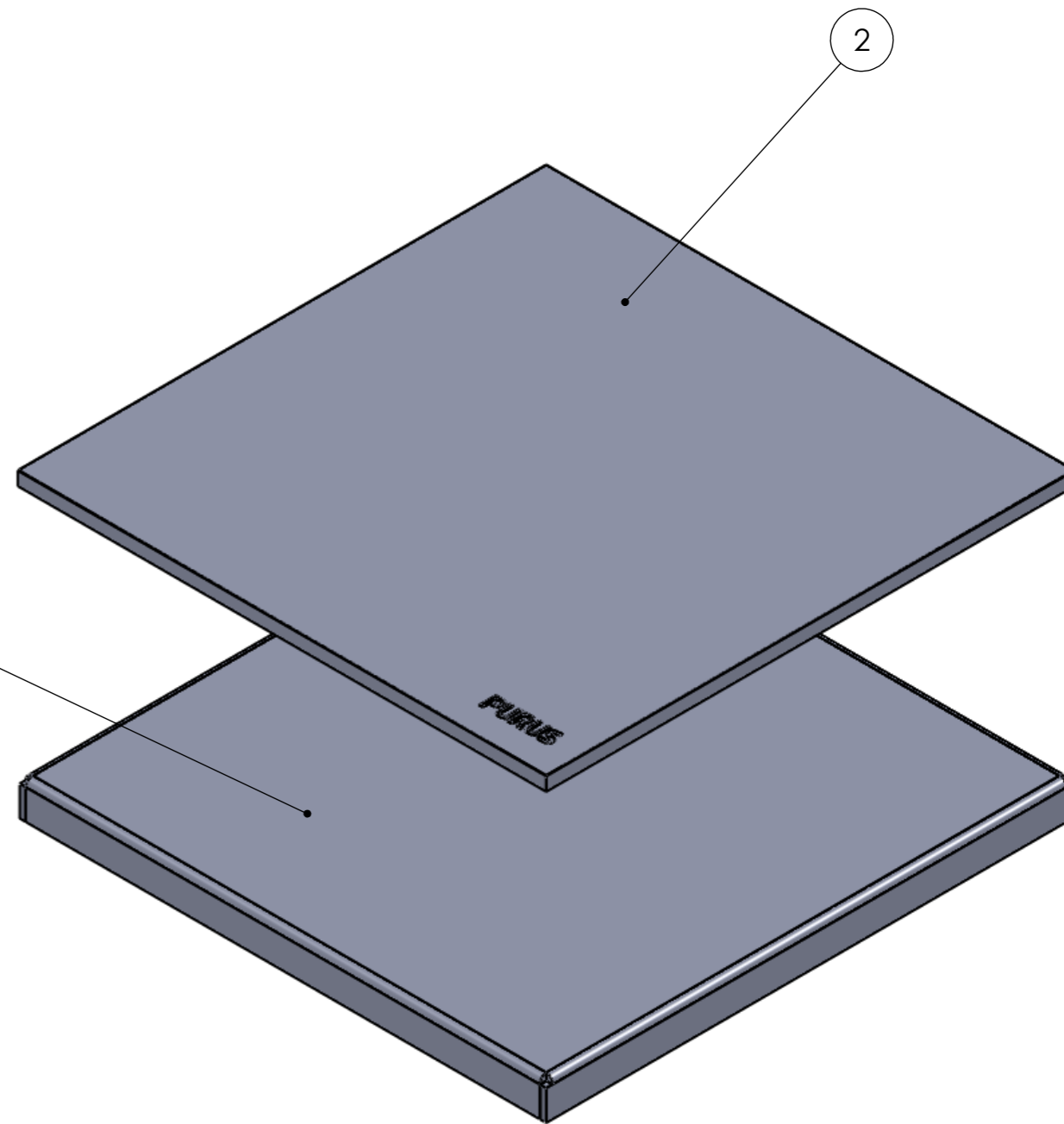
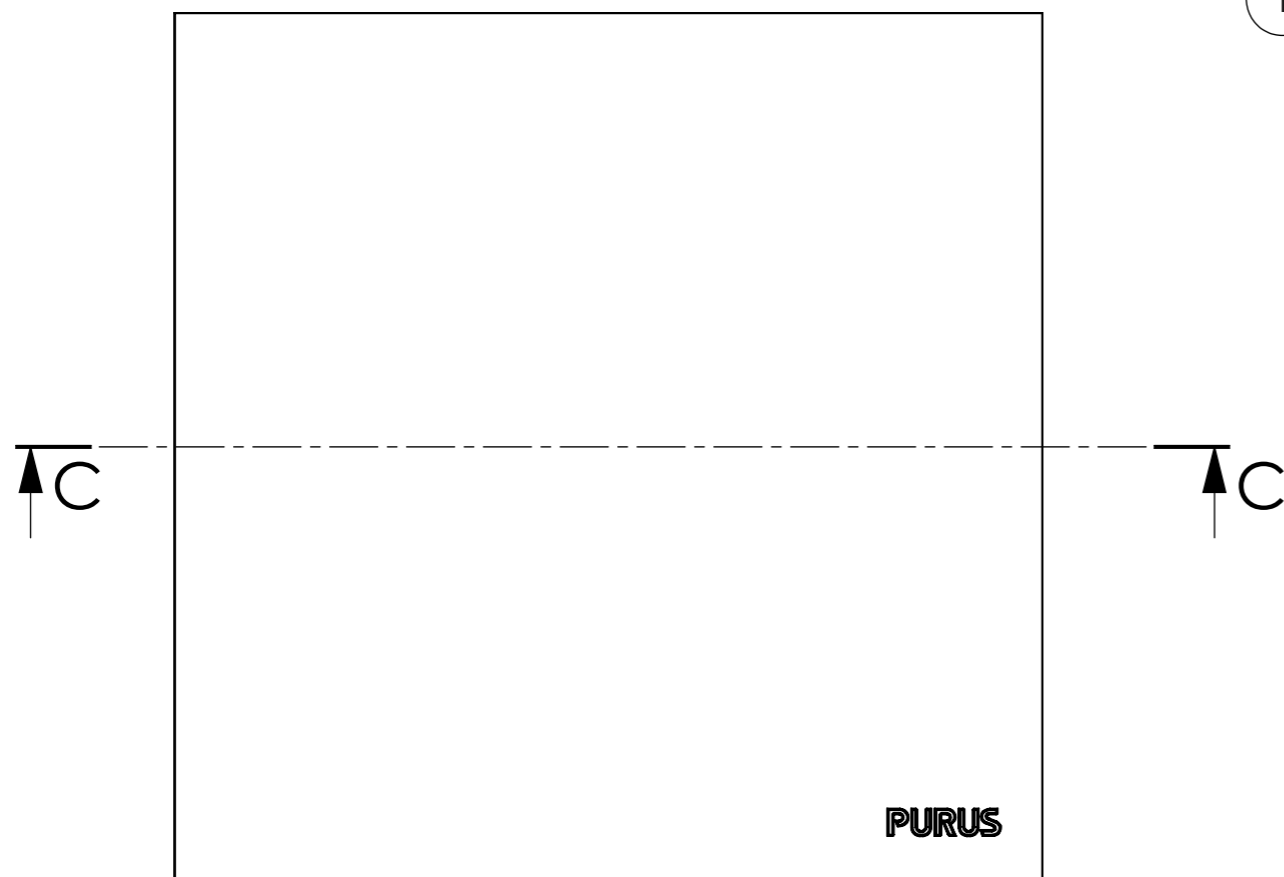


Project no 4062	Annotation	Scale 1:2	Page 4(8)	Surface treatment A3	General tolerance. ISO 2768-1	Weight (gram)	Volume (cm3)	Approved by EP	Date 11-09-21
				Material Name Laatta 130		RSK no Article no 854330		This drawing replace Date	
								Edition	

This document must not be copied without our written permission, and the contents thereof must not be imported to a third party nor be used for any unauthorized purpose. Contravention will be prosecuted. Purus AB



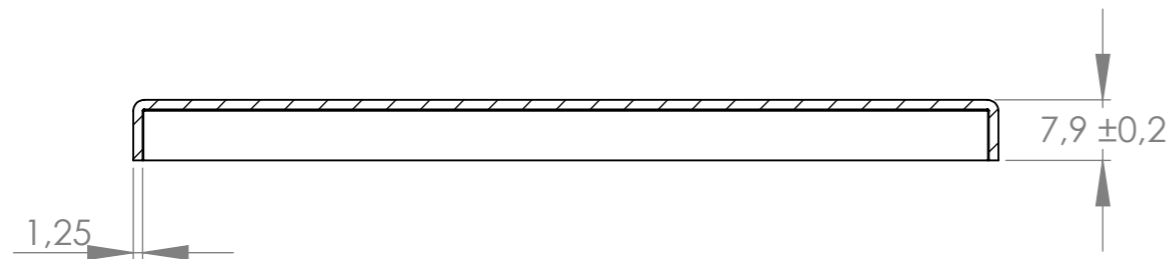
SECTION C-C
SCALE 1 : 1



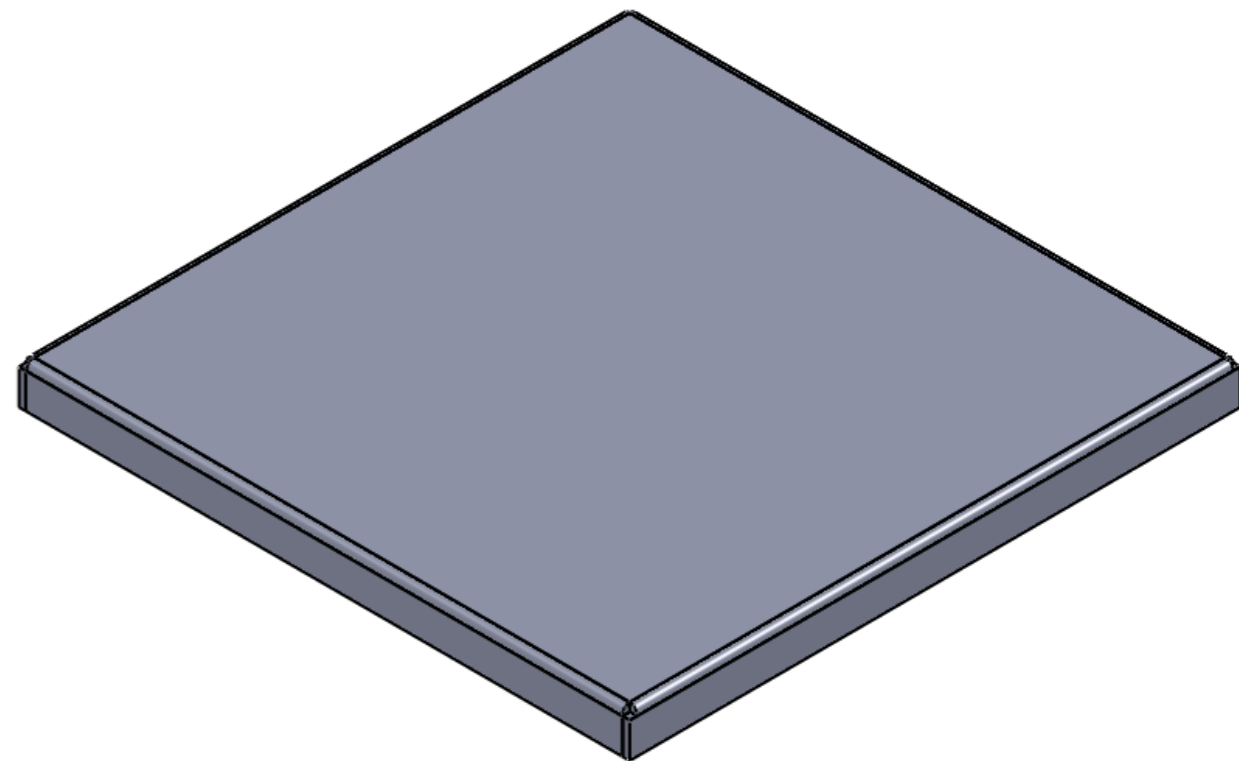
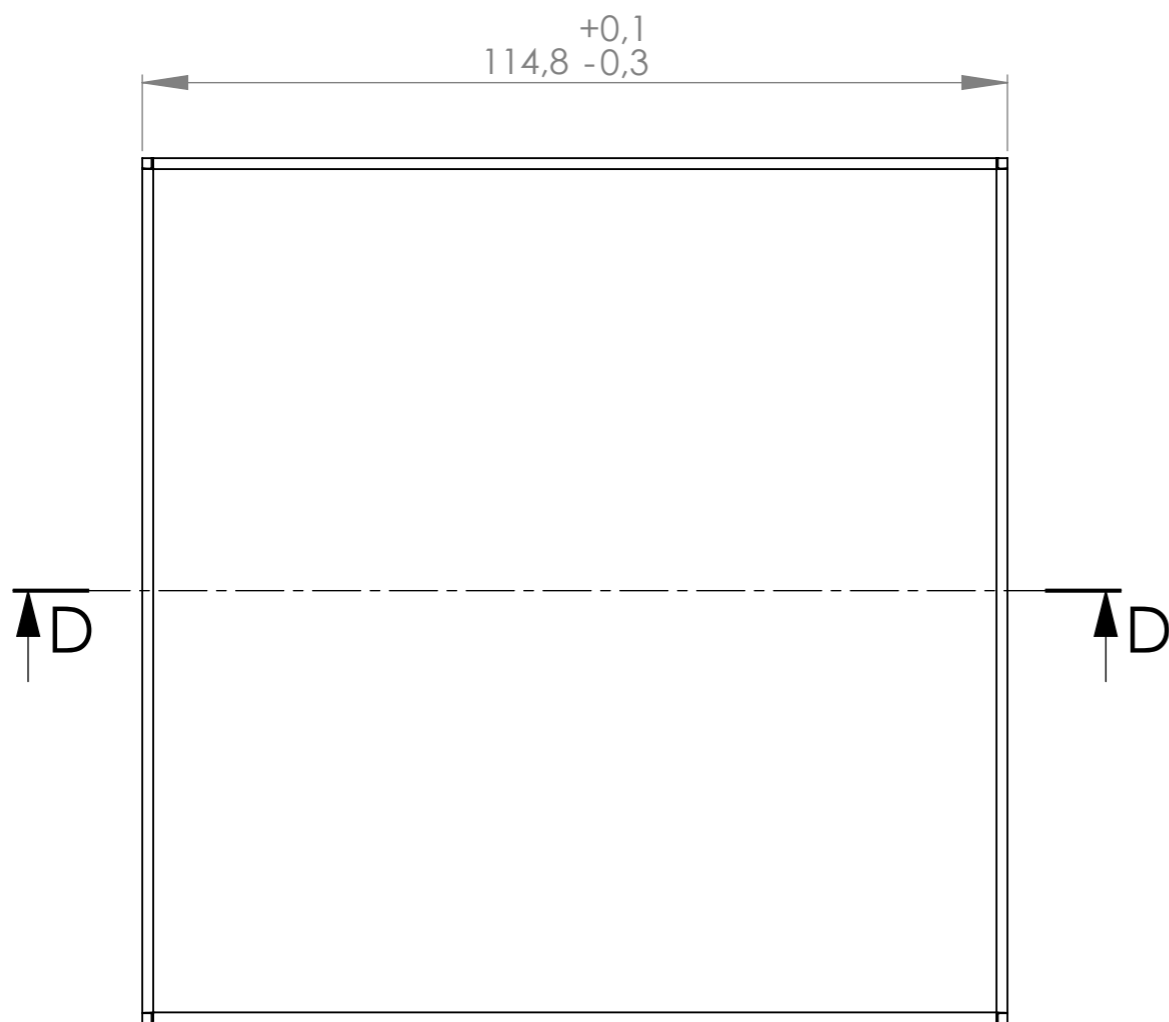
ITEM NO.	PART NUMBER	DESCRIPTION	QTY.
1	854332	Teräs 130	1
2	854333	Teräs 130	1

Project no 4062	Annotation	Scale 1:2	Page 5(8)	Surface treatment A3	General tolerance. ISO 2768-1	Weight (gram)	This drawing replace	Date
PURUS		Material	RSK no		Designer EP	Created date 11-09-21	Volume (cm3)	Approved by
Name Teräs 130						Article no 854331	Edition	

This document must not be copied without our written permission, and the contents thereof must not be imported to a third party nor be used for any unauthorized purpose. Contravention will be prosecuted. Purus AB

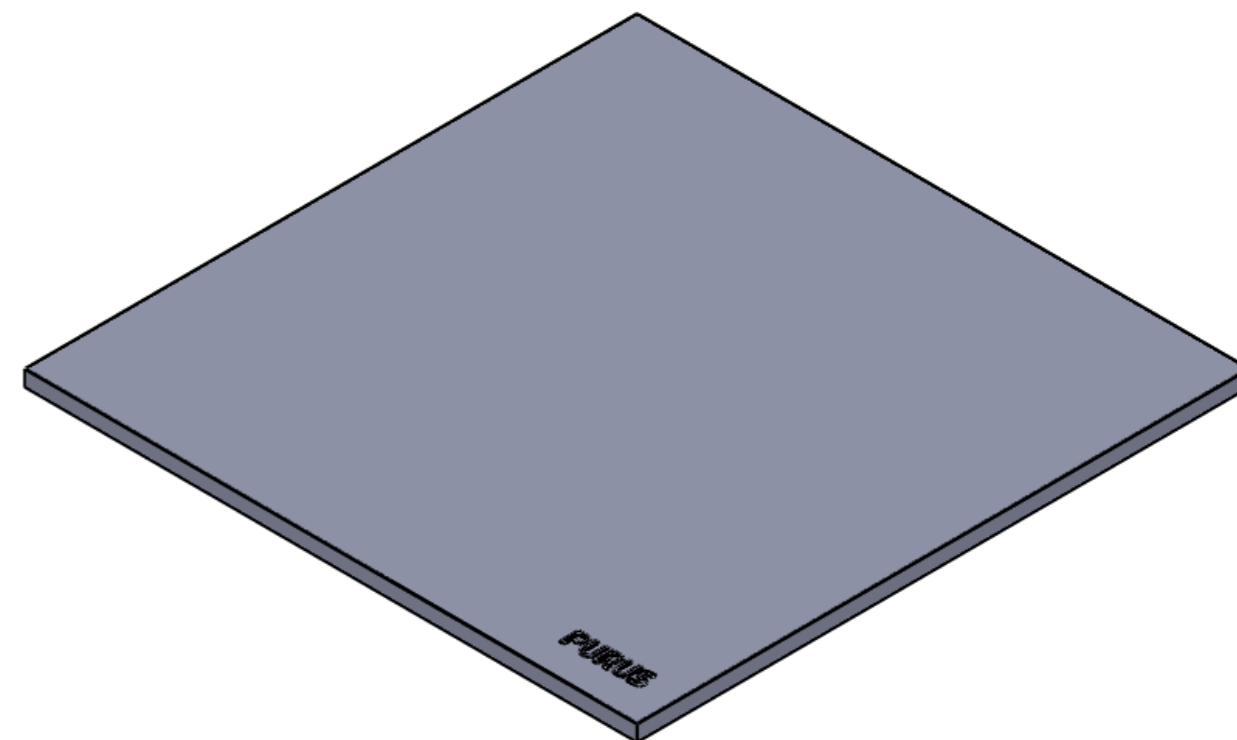
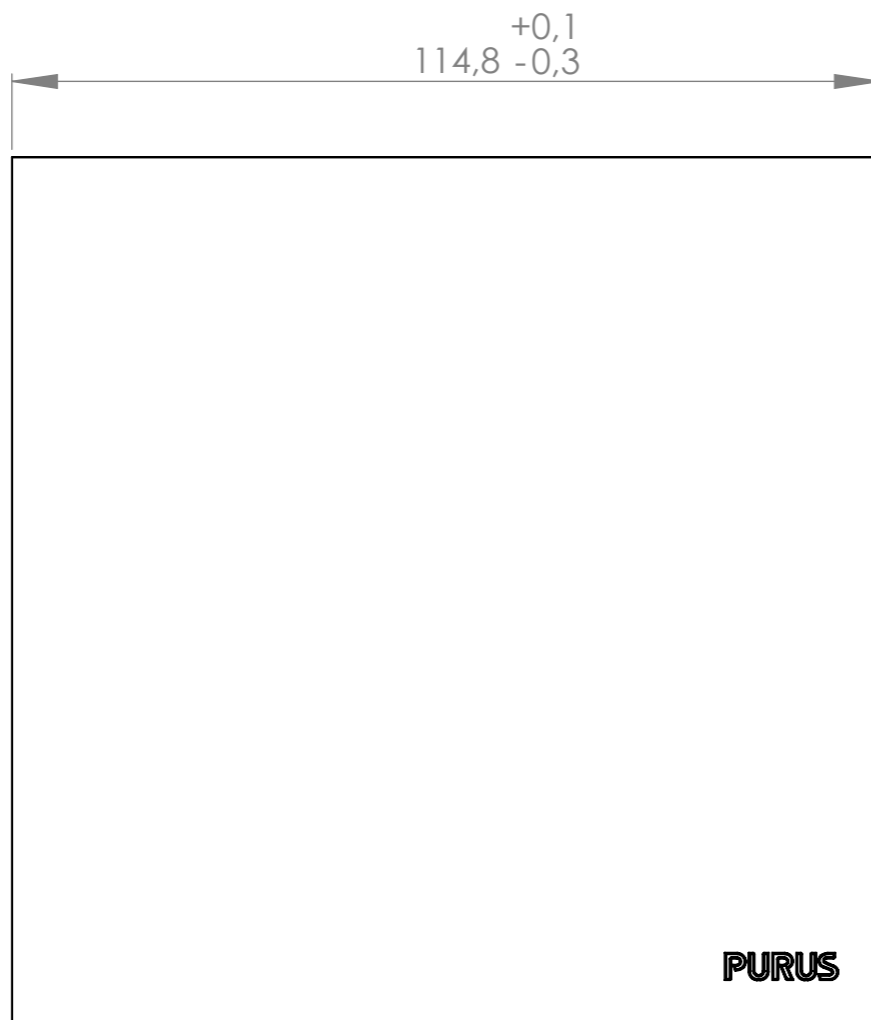
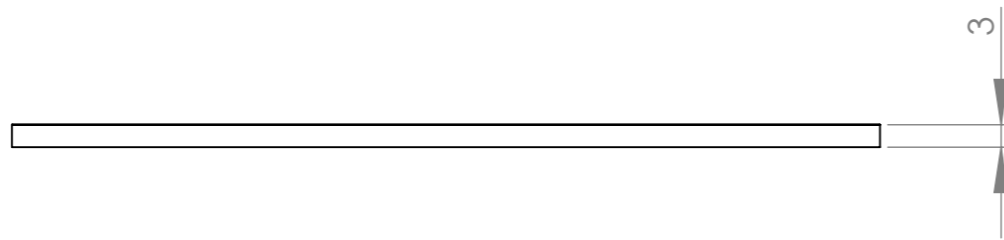


SECTION D-D
SCALE 1 : 1

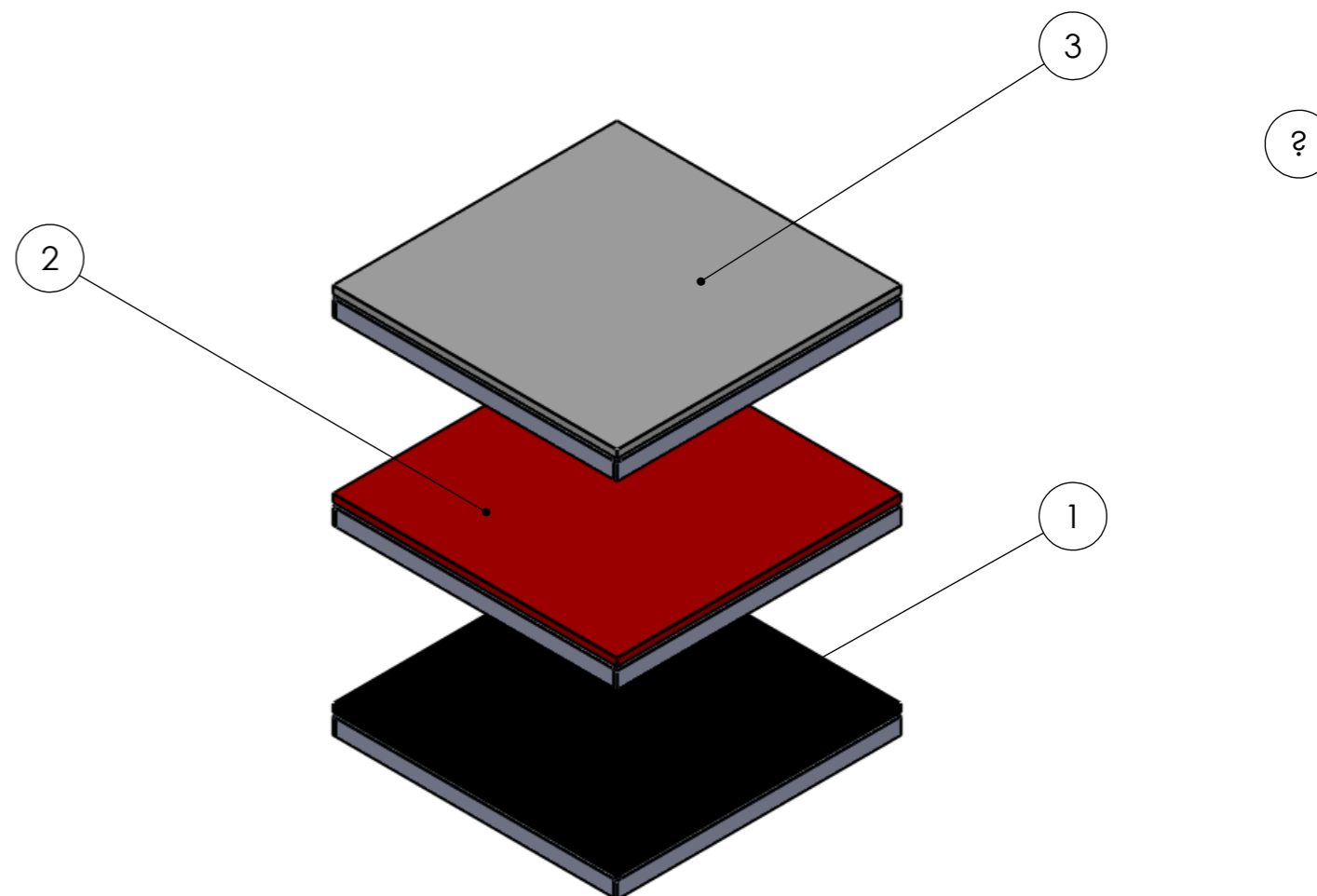


Project no 4062	Annotation	Scale 1:2	Page 6(8)	Surface treatment A3	General tolerance. ISO 2768-1	Weight (gram)	Volume (cm3)	Approved by EP	Date 11-09-21
				Material Pohja Teräs 130		RSK no 854332		Designer EP	
Name Pohja Teräs 130							Article no 854332		Edition
This drawing replace					Date				

This document must not be copied without our written permission, and the contents thereof must not be imported to a third party nor be used for any unauthorized purpose. Contravention will be prosecuted. Purus AB



Project no 4062	Annotation	Scale 1:2	Page 7(8)	Surface treatment A3	General tolerance. ISO 2768-1	Weight (gram)	This drawing replace	Date
PURUS		Material	RSK no		Volume (cm3)	Approved by	Date	
Name Teräs 130		Designer EP			Created date 11-09-21		Article no 854333	
							Edition	



ITEM NO.	PART NUMBER	DESCRIPTION	QTY.
1	854326-B	Black	1
	854332	Pohja Teräs 130	1
	854328-B	130 Black	1
2	854326-R	130 Red	1
	854332	Pohja Teräs 130	1
	854328-R	130 Red	1
3	854326-W	130 White	1
	854332	Pohja Teräs +Präl 130	1
	854328-W	130 White	1

Project no 4062	Annotation	Scale 1:2	Page 8(8)	Surface treatment A3	This drawing replace	Date
PURUS		Material	Weight (gram)	Volume (cm3)	Approved by EP	Date 11-12-16
Name Basic 130			RSK no	Article no	Edition	