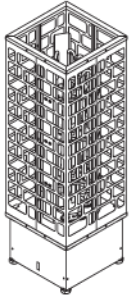
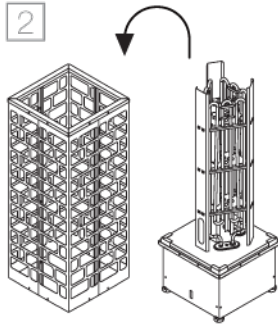


1

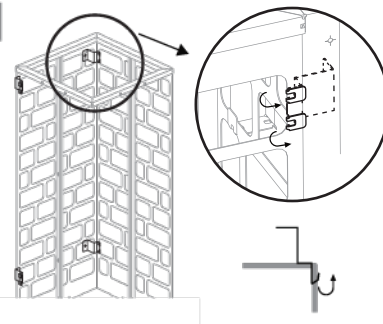


2



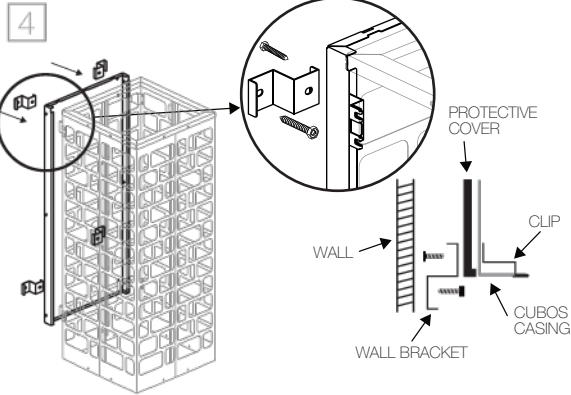
It is advisable to install the Protective Cover with the casing only.

3



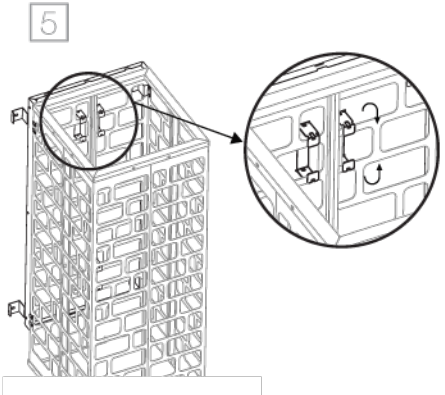
the end corner holes of the casing where to place the Protective Cover.

4



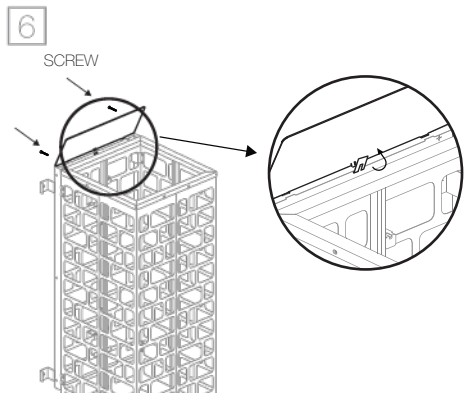
Attach the protective cover together with the wall brackets to the clips.

5



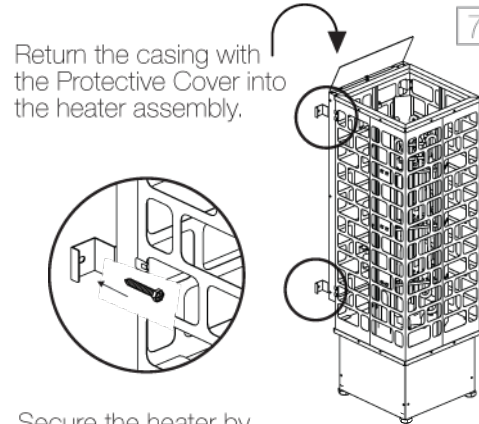
Bend the legs of the protective cover clips to secure.

6



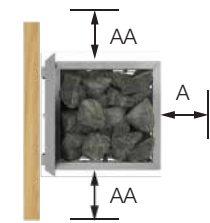
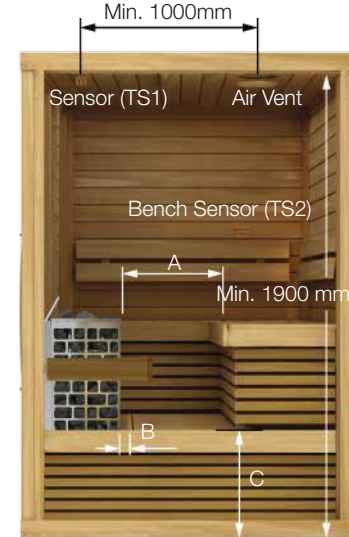
Affix the reflector sheet with screws and bend the legs to the middle hole of the Protective Cover to fasten it.

7



Secure the heater by screwing all the brackets to the wall.

Safety Distance (mm)



Wall Installation with Protective Cover

HEATER MODEL	A (MIN.)	AA	B (MIN.)	C (MAX.)
CUB3-45 Ni2 NS NB	100	100	45	700
CUB3-60 Ni2 NS NB	100	100	45	700
CUB3-75 Ni2 NS NB	100	135	45	700
CUB3-90 Ni2 NS NB	125	135	45	700