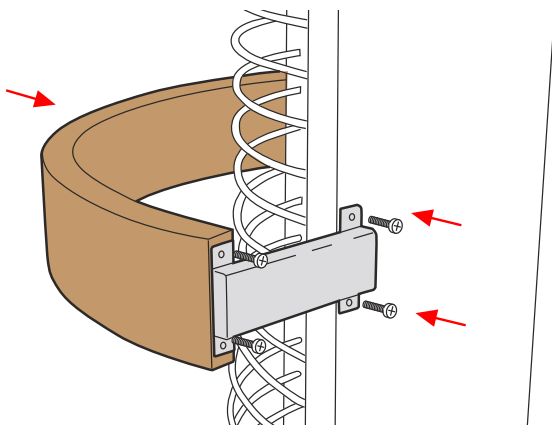
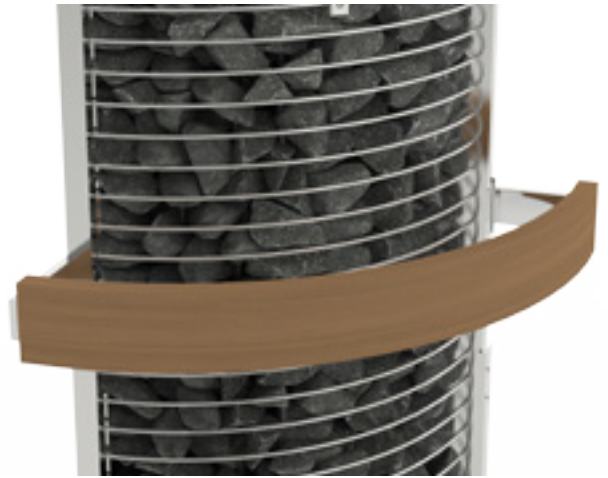
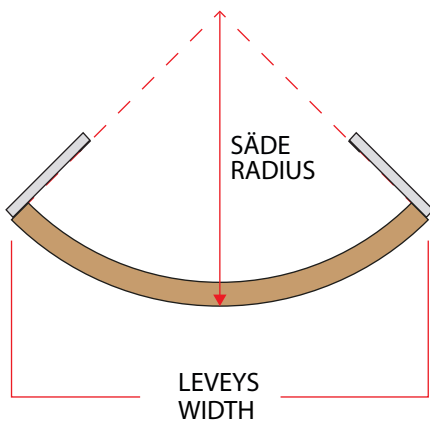
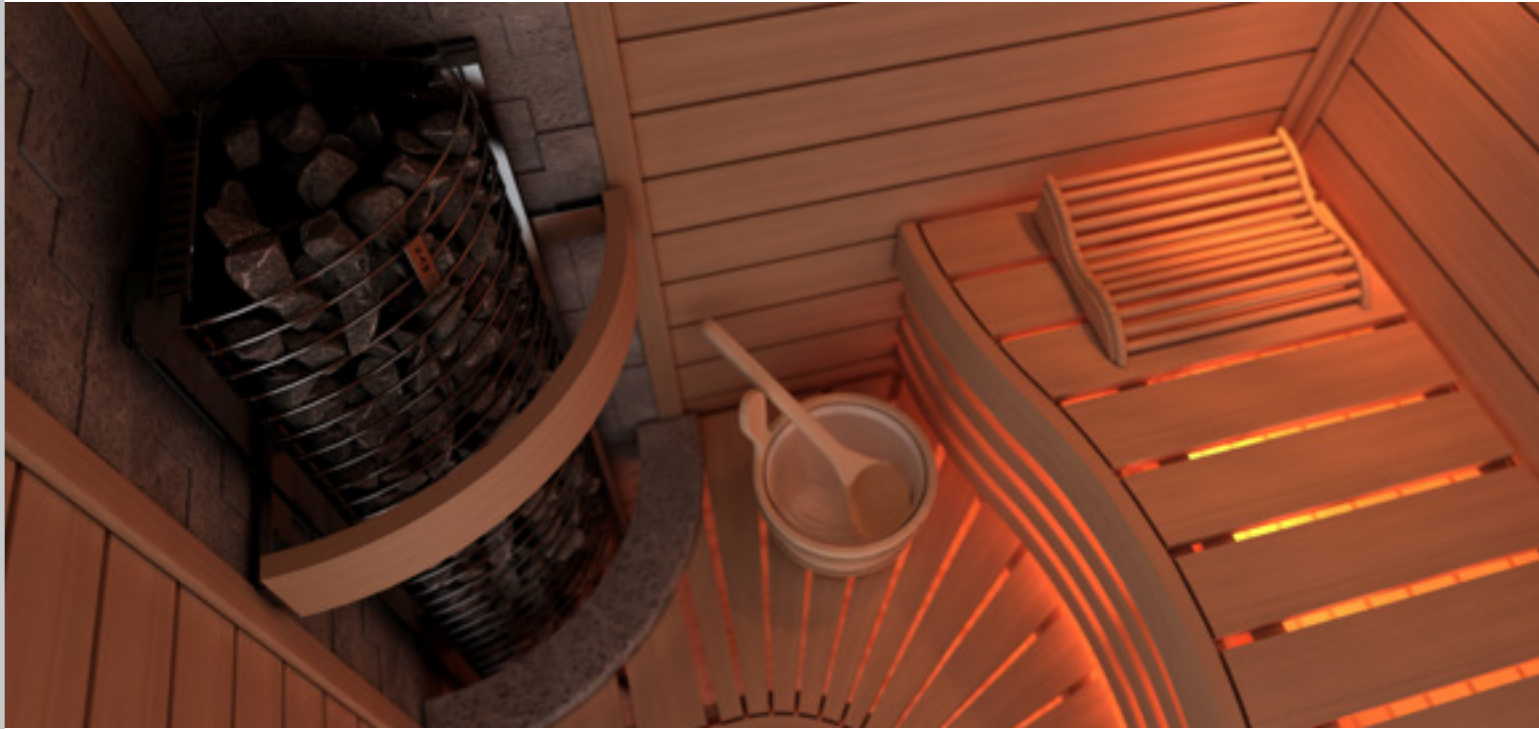
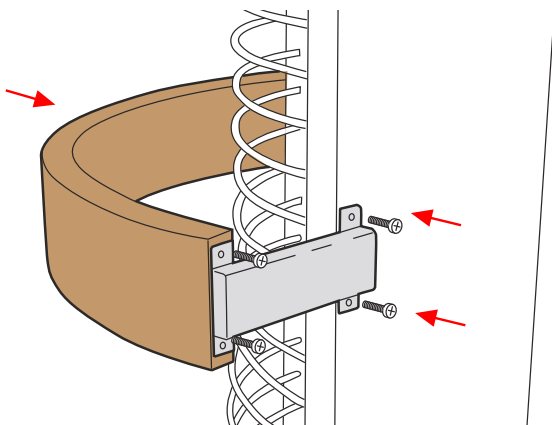
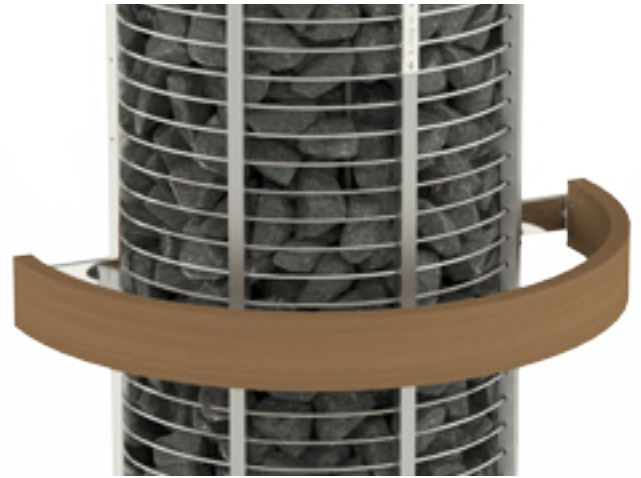
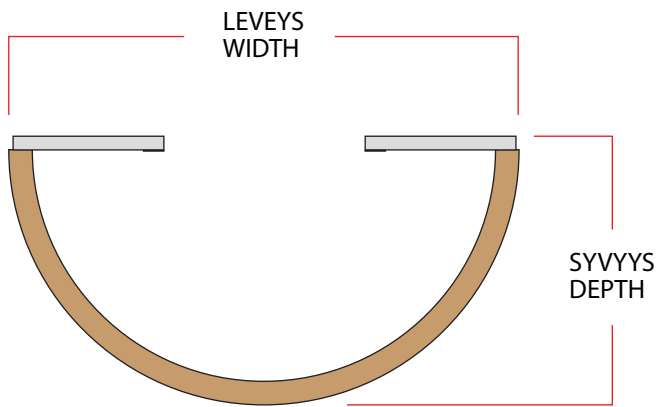


MALLI MODEL	SUOJAKAITEEN KOKO GUARD RAIL SIZE		TORNIKIUKAAT TOWER HEATERS	
	HALKAISIJA DIAMETER (mm)			
TH-GUARD-W2	510	TH2-30NB	TH2-30NS	
		TH3-35NB	TH3-35NS	
		TH3-45NB	TH3-45NS	
		TH3-60NB	TH3-60NS	
TH-GUARD-W4	560	TH4-60NB	TH5-80NS	
		TH4-60NS	TH5-90NS	
		TH5-80NB		
TH-GUARD-W6	620	TH6-80NB	TH6-120N	
		TH6-90NB	TH6-80Ni	
		TH6-80NS	TH6-90Ni	
		TH6-90NS	TH6-105Ni	
		TH6-105N	TH6-120Ni	
TH-GUARD-W9	690	TH9-105N	TH9-105Ni	
		TH9-120N	TH9-120Ni	
		TH9-150N	TH9-150Ni	
		TH9-180N		
TH-GUARD-W12	790	TH12-150N	TH12-150Ni	
		TH12-180N	TH12-180Ni	
		TH12-210N	TH12-210Ni	
		TH12-240N	TH12-240Ni	



MALLI MODEL	SUOJAKAITEEN KOKO GUARD RAIL SIZE		TORNIKUUKAAT TOWER HEATERS	
	SÄDE RADIUS	LEVEYS WIDTH		
TH-GUARD-W2-CNR	375	580	TH2-30NB-CNR	TH2-30NS-CNR
			TH3-35NB-CNR	TH3-35NS-CNR
			TH3-45NB-CNR	TH3-45NS-CNR
			TH3-60NB-CNR	TH3-60NS-CNR
TH-GUARD-W4-CNR	465	660	TH4-60NB-CNR	TH5-80NS-CNR
			TH4-60NS-CNR	TH5-90NS-CNR
			TH5-80NB-CNR	
TH-GUARD-W6-CNR	525	745	TH6-80NB-CNR	TH6-120N-CNR
			TH6-90NB-CNR	TH6-80Ni-CNR
			TH6-80NS-CNR	TH6-90Ni-CNR
			TH6-90NS-CNR	TH6-105Ni-CNR
			TH6-105N-CNR	TH6-120Ni-CNR



MALLI MODEL	SUOJAKAITEEN KOKO GUARD RAIL SIZE		TORNIKIUKAAT TOWER HEATERS	
	SYVYYS DEPTH (mm)	LEVEYS WIDTH		
TH-GUARD-W2-WL	340	615	TH2-30NB-WL	TH2-30NS-WL
			TH3-35NB-WL	TH3-35NS-WL
			TH3-45NB-WL	TH3-45NS-WL
			TH3-60NB-WL	TH3-60NS-WL
TH-GUARD-W4-WL	395	720	TH4-60NB-WL	TH5-80NS-WL
			TH4-60NS-WL	TH5-90NS-WL
			TH5-80NB-WL	
TH-GUARD-W6-WL	435	795	TH6-80NB-WL	TH6-120N-WL
			TH6-90NB-WL	TH6-80Ni-WL
			TH6-80NS-WL	TH6-90Ni-WL
			TH6-90NS-WL	TH6-105Ni-WL
			TH6-105N-WL	TH6-120Ni-WL
TH-GUARD-W9-WL	485	895	TH9-105N-WL	TH9-105Ni-WL
			TH9-120N-WL	TH9-120Ni-WL
			TH9-150N-WL	TH9-150Ni-WL
			TH9-180N-WL	
TH-GUARD-W12-WL	555	1035	TH12-150N-WL	TH12-150Ni-WL
			TH12-180N-WL	TH12-180Ni-WL
			TH12-210N-WL	TH12-210Ni-WL
			TH12-240N-WL	