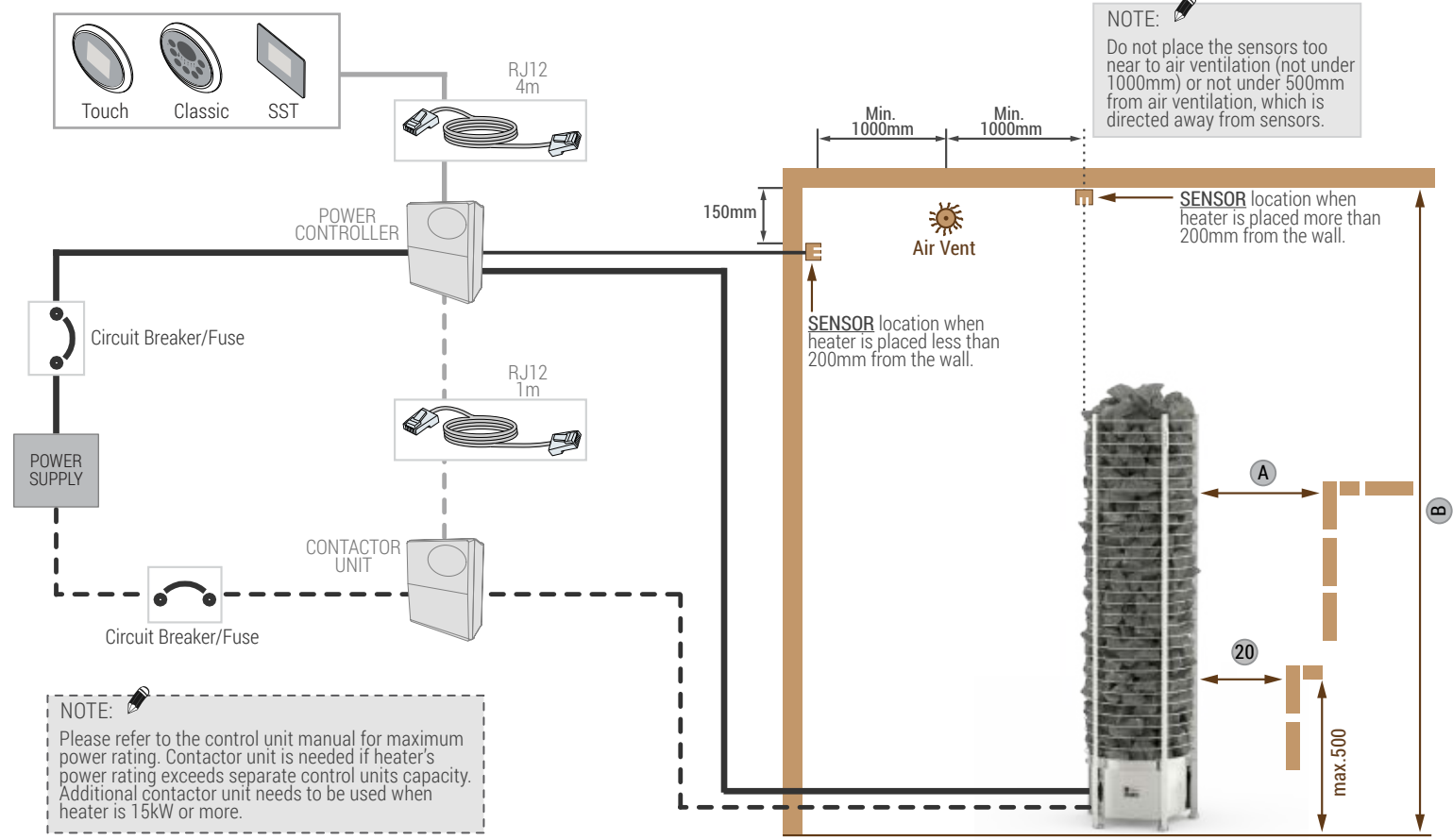


TOWER ROUND HEATER- Installation Diagram for Separate Control (NS)



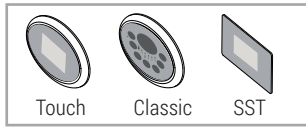
NOTE:
Please refer to the control unit manual for maximum power rating. Contactor unit is needed if heater's power rating exceeds separate control units capacity. Additional contactor unit needs to be used when heater is 15kW or more.

Minimum Safety Distances

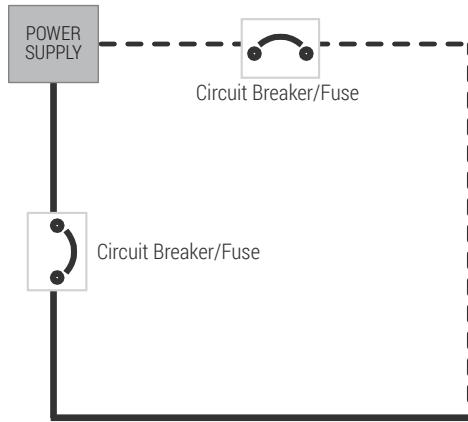
	A	B
TH2-30NS	150	1900
TH3-35NS	100	1900
TH3-45NS	100	1900
TH3-60NS	150	1900
TH4-60NS	150	1900
TH4-80NS	200	1900
TH5-90NS	200	1900
TH6-80NS	100	1900
TH6-90NS	100	1900
TH6-105N	150	1900
TH6-120N	200	2100
TH9-105N	150	2100
TH9-120N	150	2100
TH9-150N	200	2100
TH9-180N	200	2100
TH12-150N	200	2300
TH12-180N	200	2300
TH12-210N	200	2300
TH12-240N	200	2300



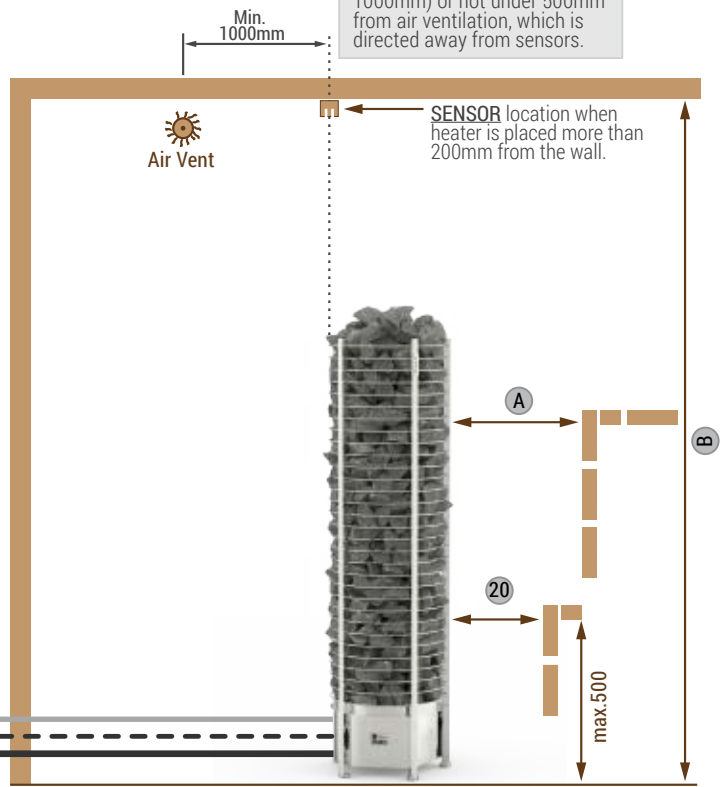
TOWER Ni ROUND HEATER- Installation Diagram for Innova Separate Control (Ni)



NOTE:
Please refer to the control unit manual for maximum power rating. Contactor unit is needed if heater's power rating exceeds separate control units capacity. Additional contactor unit needs to be used when heater is 15kW or more.



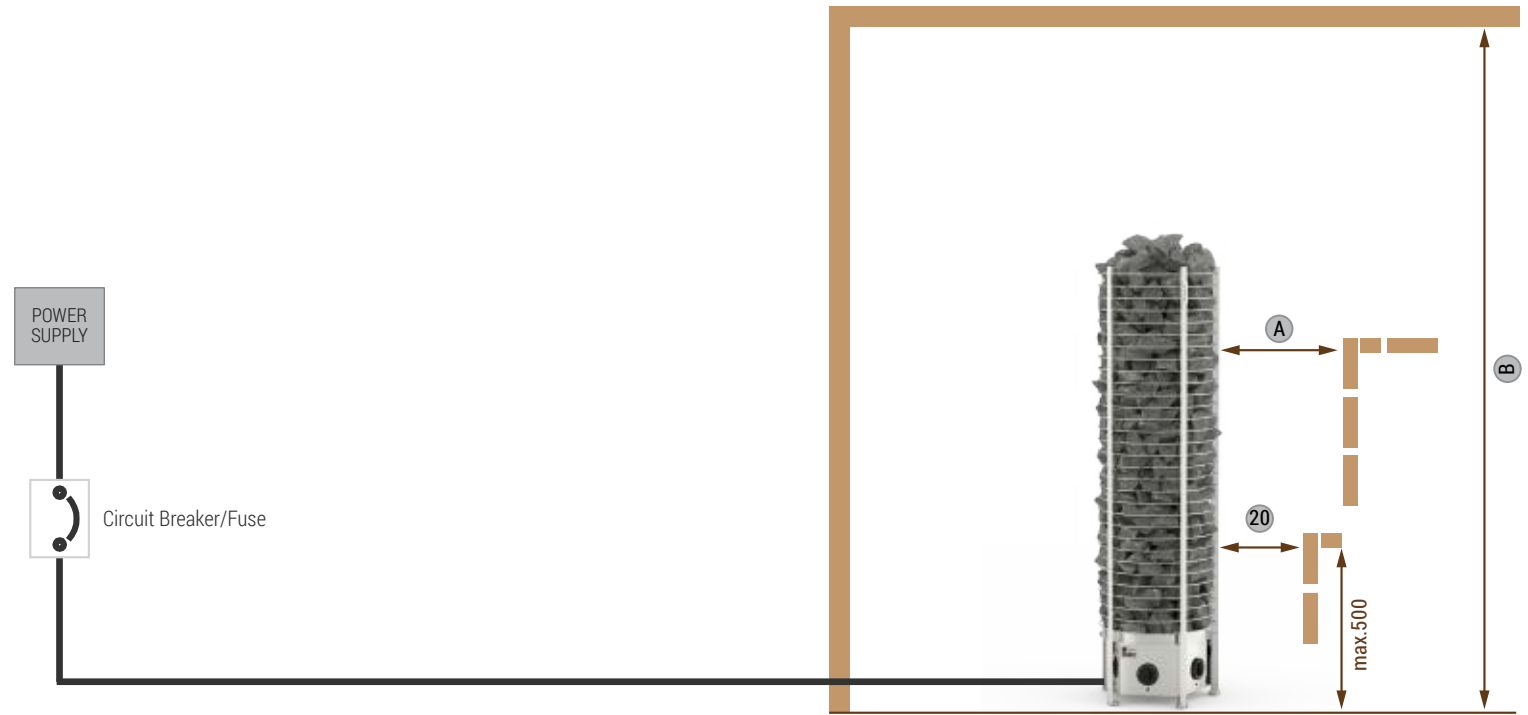
NOTE:
Do not place the sensors too near to air ventilation (not under 1000mm) or not under 500mm from air ventilation, which is directed away from sensors.



Minimum Safety Distances

	A	B
TH6-80Ni	100	1900
TH6-90Ni	100	1900
TH6-105Ni	150	1900
TH6-120Ni	200	2100
TH9-105Ni	150	2100
TH9-120Ni	150	2100
TH9-150Ni	200	2100
TH12-150Ni	200	2300
TH12-180Ni	200	2300
TH12-210Ni	200	2300
TH12-240Ni	200	2300

TOWER ROUND HEATER- Installation Diagram for Built Control (NB)



Minimum Safety Distances

	A	B
TH2-30NB	150	1900
TH3-35NB	150	1900
TH3-45NB	150	1900
TH3-60NB	150	1900
TH4-60NB	150	1900
TH4-80NB	150	1900
TH6-80NB	100	1900
TH6-90NB	100	1900



TOP VIEW