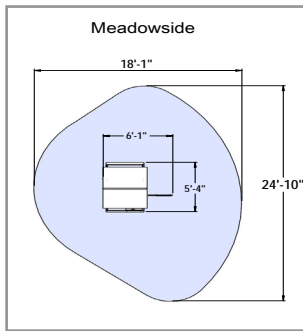


MEADOWSIDE PLAY SYSTEM – F24020E

INSTALLATION AND OPERATING INSTRUCTIONS



! WARNING

To reduce the risk of serious injury or death, you must read and follow these instructions. Keep and refer to these instructions often and give them to any future owner of this play system. Manufacturer contact information provided below.

OBSTACLE FREE SAFETY ZONE - 18' 1" x 24' 10" (5.52 x 7.57 m) area requires Protective Surfacing. See page 3.

MAXIMUM VERTICAL FALL HEIGHT - 6' (1.8 m)

CAPACITY - 4 Users Maximum, Ages 3 to 10; Weight Limit 110 lbs. (49.9 kg) per child.

RESIDENTIAL HOME USE ONLY. Not intended for public areas such as schools, churches, nurseries, day cares or parks.



4 - 8 Hrs

Two person assembly

For Outdoor Family Domestic Use Only



Europe
The Granary, Weathercock Hill
Chevington, Bury St
Edmunds, Suffolk IP29 5RG

North America
375 Sligo Road West.
P.O. Box 10 Mount Forest
Ontario, Canada N0G 2L1

Australia
Unit 6/168 - 180 Victoria Road
Marrickville, Sydney NSW 2204


Table of Contents

Warnings and Safe Play Instructions pg. 2
 Protective Surfacing Guidelines pg. 3
 Instructions for Proper Maintenance pg. 4
 About Our Wood – Limited Warranty pg. 5
 Keys to Assembly Success pg. 6
 Metric Conversion Sheets pg. 7,8
 Part ID pg. 9

FR: Pour obtenir la notice de montage dans votre langue, cliquez sur www.selwoodproducts.com
 DE: Gehen Sie auf www.selwoodproducts.com um die Bauanleitung in thre Sprache zu bekommen.

www.selwoodproducts.com

Warnings and Safe Play Instructions

 **CONTINUOUS ADULT SUPERVISION REQUIRED.** Most serious injuries and deaths on playground equipment have occurred while children were unsupervised! Our products are designed to meet mandatory and voluntary safety standards. Complying with all warnings and recommendations in these instructions will reduce the risk of serious or fatal injury to children using this play system. Go over the warnings and safe play instructions regularly with your children and make certain that they understand and follow them. Remember on-site adult supervision is required for children of all ages.

WARNING

SERIOUS HEAD INJURY HAZARD

Installation over concrete, asphalt, dirt, grass, carpet and other hard surface creates a risk of serious injury or death from falls to the ground. Install and maintain shock absorbing material under and around play-set as recommended on page 3 of these instructions.

COLLISION HAZARD

Place play-set on level ground at least 6 feet from any obstruction such as a garage or house, fences, poles, trees, sidewalks, walls, landscape timbers, rocks, pavement, planters, garden borders, overhanging branches, laundry lines, and electrical wires. (See OBSTACLE FREE SAFETY ZONE on cover)

CHOKING HAZARD/SHARP EDGES & POINTS

Adult assembly required. This product contains small parts and parts with sharp edges and points. Keep parts away from children until fully assembled.

WARNING LABEL

Owners shall be responsible for maintaining the legibility of the warning labels.

STRANGULATION HAZARD

- NEVER allow children to play with ropes, clotheslines, pet leashes, cables, chains or cord-like items when using this play-set or to attach these items to play-set.
- NEVER allow children to wear loose fitting clothing, ponchos, hoods, scarves, capes, necklaces, items with draw-strings, cords or ties when using this play-set.
- NEVER allow children to wear bike or sport helmets when using this play-set.

Failure to prohibit these items, even helmets with chin straps, increases the risk of serious injury and death to children from entanglement and strangulation.

TIP OVER HAZARD

Choose a level location for the equipment. This can reduce the likelihood of the play set tipping over and loose-fill surfacing materials washing away during heavy rains.

DO NOT allow children to play on the play-set until the assembly is complete and the unit is properly anchored.

WARNING – Safe Play Instructions

- ✓ Observe capacity limitations of your play-set. See front cover.
- ✓ Dress children with well fitting and full foot enclosing footwear.
- ✓ Teach children to sit with their full weight in the center of the swing seat to prevent erratic swing motion or falling off.
- ✓ Check for splintered, broken or cracked wood; missing, loose, or sharp edged hardware. Replace, tighten and or sand smooth as required prior to playing.
- ✓ Verify that suspended climbing ropes, rope ladders, chain or cable are secured at both ends and cannot be looped back on itself as to create an entanglement hazard.
- ✓ On sunny and or hot days, check the slide and other plastic rides to assure that they are not very hot as to cause burns. Cool hot slide and rides with water and wipe dry prior to using.
- ✗ Do not allow children to wear open toe or heel footwear like sandals, flip-flops or clogs.
- ✗ Do not allow children to walk, in front, between, behind or close to moving rides.
- ✗ Do not let children twist swing chains or ropes or loop them over the top support bar. This may reduce the strength of the chain or rope and cause premature failure.
- ✗ Do not let children get off rides while they are in motion.
- ✗ Do not permit climbing on equipment when it is wet.
- ✗ Do not permit rough play or use of equipment in a manner for which it was not intended. Standing on or jumping from the roof, elevated platforms, swings, climbers, ladders or slide can be dangerous.
- ✗ Do not allow children to swing empty rides or seats.
- ✗ Do not allow children to go down slide head first or run up slide.

⚠️ Protective Surfacing - Reducing Risk of Serious Head Injury From Falls.

One of the most important things you can do to reduce the likelihood of serious head injuries is to install shock-absorbing protective surfacing under and around your play equipment. The protective surfacing should be applied to a depth that is suitable for the equipment height in accordance with ASTM F1292. There are different types of surfacing to choose from; whichever product you select, follow these guidelines:

Loose-Fill Materials

- Maintain a minimum depth of 9 inches of loose-fill materials such as wood mulch/chips, engineered wood fiber (EWF), or shredded/recycled rubber mulch for equipment up to 8 feet high; and 9 inches of sand or pea gravel for equipment up to 5 feet high. NOTE: An initial fill level of 12 inches will compress to about a 9-inch depth of surfacing over time. The surfacing will also compact, displace, and settle, and should be periodically raked and refilled to maintain at least a 9-inch depth.
- Use a minimum of 6 inches of protective surfacing for play equipment less than 4 feet in height. If maintained properly, this should be adequate. (At depths less than 6 inches, the protective material is too easily displaced or compacted.)

NOTE: Do not install home playground equipment over concrete, asphalt, or any other hard surface. A fall onto a hard surface can result in serious injury to the equipment user. Grass and dirt are not considered protective surfacing because wear and environmental factors can reduce their shock absorbing effectiveness. Carpeting and thin mats are not adequate protective surfacing. Ground level equipment -- such as a sandbox, activity wall, playhouse or other equipment that has no elevated play surface -- does not need any protective surfacing.

- Use containment, such as digging out around the perimeter and/or lining the perimeter with landscape edging. Don't forget to account for water drainage.
- Periodically rake, check and maintain the depth of the loose-fill surfacing material. Marking the correct depth on the play equipment support posts will help you to see when the material has settled and needs to be raked and or replenished. Be sure to rake and evenly redistribute the surfacing in heavily used areas.
- Do not install loose fill surfacing over hard surfaces such as concrete or asphalt.

Poured-In-Place Surfaces or Pre-Manufactured Rubber Tiles

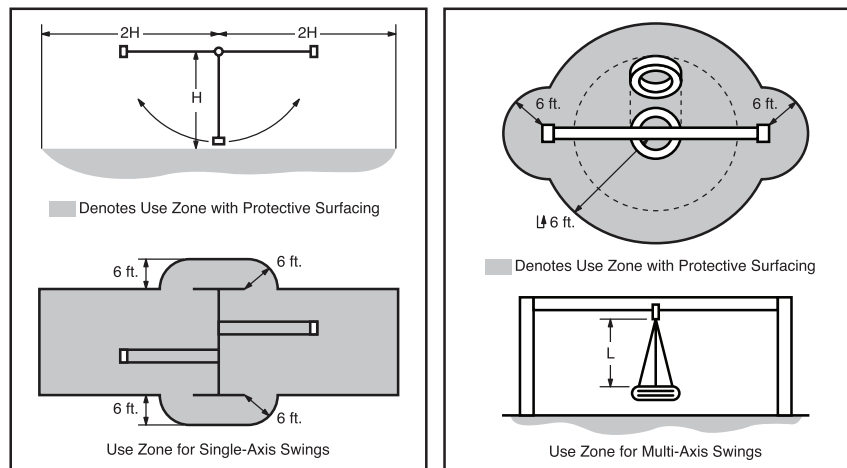
You may be interested in using surfacing other than loose-fill materials - like rubber tiles or poured-in-place surfaces.

- Installations of these surfaces generally require a professional and are not "do-it yourself" projects.
- Review surface specifications before purchasing this type of surfacing. Ask the installer/manufacture for a report showing that the product has been tested to the following safety standard: ASTM F1292 *Standard Specification for Impact Attenuation of Surfacing Materials within the Use Zone of Playground Equipment*. This report should show the specific height for which the surface is intended to protect against serious head injury. This height should be equal to or greater than the fall height - vertical distance between a designated play surface (*elevated surface for standing, sitting, or climbing*) and the protective surfacing below - of your play equipment.
- Check the protective surfacing frequently for wear.

Placement

Proper placement and maintenance of protective surfacing is essential. Refer to diagram on front cover. Be sure to;

- Extend surfacing at least 6 feet from the equipment in all directions.
- For to-fro swings, extend protective surfacing in front of and behind the swing to a distance equal to twice the height of the top bar from which the swing is suspended.
- For tire swings, extend surfacing in a circle whose radius is equal to the height of the suspending chain or rope, plus 6 feet in all directions.

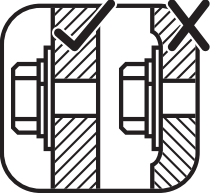
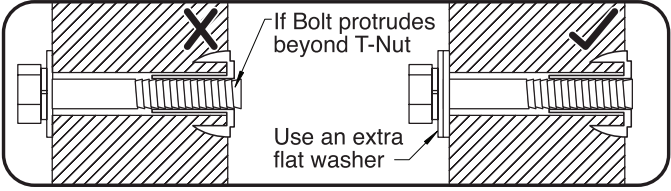
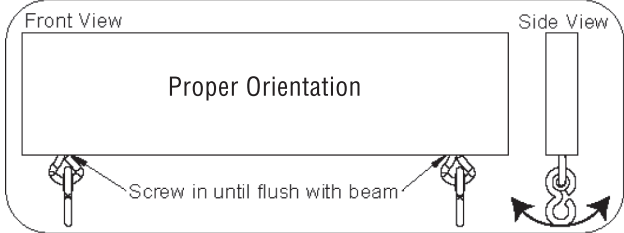


From the CPSC Outdoor Home Playground Safety Handbook. At www.cpsc.gov/CPSCPUB/PUBS/324.pdf

Instructions for Proper Maintenance

Your Big Backyard Play System is designed and constructed of quality materials with your child's safety in mind. As with all outdoor products used by children, it will weather and wear. To maximize the enjoyment, safety and life of your Play Set, it is important that you, the owner, properly maintain it.

Check the following at the beginning of the play season:

<p>HARDWARE:</p> <ul style="list-style-type: none"> ✓ Check metal parts for rust. If found, sand and repaint using a non-lead paint complying with 16 CFR 1303. ✓ Inspect and tighten all hardware. On wood assemblies DO NOT OVERTIGHTEN as to cause crushing and splintering of wood. ✓ Check for sharp edges or protruding screw threads, add washers if required.   <p>SHOCK ABSORBING SURFACING:</p> <ul style="list-style-type: none"> ✓ Check for foreign objects. Rake and check depth of loose fill protective surfacing materials to prevent compaction and maintain appropriate depth. Replace as necessary. (See Protective Surfacing, page 3) <p>GROUND STAKES (ANCHORS):</p> <ul style="list-style-type: none"> ✓ Check for looseness, damage or deterioration. Should firmly anchor unit to ground during use. Re-secure and or replace, if necessary. 	<p>SWING HANGERS:</p> <ul style="list-style-type: none"> ✓ Check that they are secure and orientated correctly. Hook should rotate freely and perpendicular to support beam. ✓ If squeaking occurs lubricate bushings with oil or WD-40®.  <p>SWINGS, ROPES AND RIDES:</p> <ul style="list-style-type: none"> ✓ Reinstall if removed during cold season. Check all moving parts including swing seats, ropes, chains and attachments for wear, rust and other deterioration. Replace as needed. ✓ Check that ropes are tight, secure at both ends and cannot loop back as to create an entrapment. <p>WOOD PARTS:</p> <ul style="list-style-type: none"> ✓ Check all wood members for deterioration, structural damage and splintering. Sand down splinters and replace deteriorated wood members. As with all wood, some checking and small cracks in grain is normal. ✓ Unprotected, they will appear weathered over time. Periodic application of an exterior water repellent or stain (water-based) will help improve appearance and life.
--	---

Check twice a month during play season:

<p>HARDWARE:</p> <ul style="list-style-type: none"> ✓ Inspect for tightness. Must be firmly against, but not crushing the wood. DO NOT OVERTIGHTEN. This will cause splintering of wood. ✓ Check for sharp edges or protruding screw threads. Add washers if required. 	<p>SHOCK ABSORBING SURFACING:</p> <ul style="list-style-type: none"> ✓ Rake and check depth of loose fill protective surfacing materials to prevent compaction and maintain appropriate depth. Replace as necessary. (See Protective Surfacing, page 3)
--	---

Check once a month during play season:

<p>SWING HANGERS:</p> <ul style="list-style-type: none"> ✓ Check that they are secure and orientated correctly. Hook should rotate freely and perpendicular to support beam. ✓ If squeaking occurs lubricate bushings with oil or WD-40®. 	<p>SWINGS AND RIDES:</p> <ul style="list-style-type: none"> ✓ Check swing seats, all ropes, chains and attachments for fraying, wear, excessive corrosion or damage. Replace if structurally damaged or deteriorated.
--	---

Check at the end of the play season:

<p>SWINGS AND RIDES:</p> <ul style="list-style-type: none"> ✓ To prolong their life, remove swings and store inside when outside temperature is below 32°F/0°C. Below freezing, plastic parts may become more brittle. 	<p>SHOCK ABSORBING SURFACING:</p> <ul style="list-style-type: none"> ✓ Rake and check depth of loose fill protective surfacing materials to prevent compaction and maintain appropriate depth. Replace as necessary. (See Protective Surfacing, page 3)
--	---

If you dispose of your play set: Please disassemble and dispose of your unit so that it does not create any unreasonable hazards at the time it is discarded. Be sure to follow your local waste ordinances.

About Our Wood

Solowave Design™ uses only premium playset lumber, ensuring the safest product for your children's use. Although great care has been taken in selecting the best quality lumber available, wood is a product of nature and susceptible to weathering (changes in the aesthetics of the wood). A light sanding may be required to remove minor splinters. For your information, we have described some changes that may occur as a result of weathering:

1. **Checking** Checks are surface cracks in the wood along the grain. 4" x 4" material will experience more checking than 2", 1-1/4" or 1" material because the surface and interior moisture content will vary more widely than in thinner wood.
2. **Warping** Warping refers to any distortion (twisting, cupping) from the true plane that may take place during weathering.
3. **Fading** Wood exposed to sunlight, will over time, turn a grey color.

Note: The above changes will not affect the strength of the product.

What causes weathering?

One of the main reasons for weathering is the effects of water (moisture); the moisture content of the wood at the surface is different than the interior of the wood. As the moisture moves in or out of the wood (result of climate changes), the different moisture content causes tension in the wood, which can result in checking and or warping.

How can I reduce the amount of weathering to my Play System?

At the factory we have added water repellent to the stain. This water repellent decreases the amount of water absorption during rain or snow thus decreasing the tension in the wood. Sunlight will break down the water repellent, so we recommend applying a water repellent on a yearly basis (see your local stain and paint supplier for a recommended product). Failure to do so can affect warranty. Also if storing the product before installation, make sure you store out of direct sunlight in a cool dry place.

Will weathering affect the strength of my Play System?

Most weathering is just the normal result of nature and will not affect safe play and enjoyment for your child. However if you are concerned that a part has experienced a severe weathering problem please call our consumer relations department for further assistance.

Selwood Products Limited Warranty

Selwood Products states that the product is free from defect in materials and workmanship for a period of one (1) year from the original date of purchase. This one (1) year warranty covers all parts including wood, hardware, and accessories. All wood carries a ten (10) year warranty against rot and decay. Refer to the schedule associated with replacement of parts under this Warranty. In addition, the manufacturer will replace any parts within the first 60 days from date of purchase found to be missing from or damaged in the original packaging. This warranty applies to the original owner and registrant and is non-transferable. Regular maintenance is required to assure maximum life and performance of this product and failure by the owner to maintain the product according to the maintenance requirements may void this warranty. Maintenance guidelines are provided in the Owner's Manual provided by Selwood Products.

This Limited Warranty does not cover:

- Labour for any inspection or Labour for replacement of any defective item(s)
- Incidental or consequential damages
- Cosmetic defects which do not affect performance or integrity of a part or the entire product
- Vandalism, improper use, failure due to loading or use beyond the capacities stated in the Assembly Manual.
- Acts of nature including but not limited to wind, storms, hail, floods, excessive water exposure
- Improper installation including but not limited to installation on uneven, unlevel, or soft ground
- Minor twisting, warping, checking, splitting, or any other natural occurring properties of wood that do not affect performance or integrity.

Selwood Products states that the product has been designed for safety and quality. Any modifications made to the original product could damage the structural integrity of the unit leading to failure and possible injury. Modification voids any and all warranties and Selwood Products will accept no liability for any modified products or consequences resulting from failure of a modified product.

This product is warranted for **RESIDENTIAL USE ONLY**. Under no circumstance should the product be used in public settings such as schools, churches, playgrounds, parks, daycares and the like. Such use may lead to product failure and potential injury. Any and all public use will void this warranty.

Selwood disclaims all other representations and warranties of any kind, expressed or implied.

Warranty Part Replacement Schedule:

Plastic/Metal/Wood Components: 1 Year Warranty

0-60 days from date from purchase: Free Parts & Free Shipping | 61 days to 1 year from purchase: Free Parts + Shipping & Handling

Wooden (Wood Rot and Decay Only): 10 Year Warranty

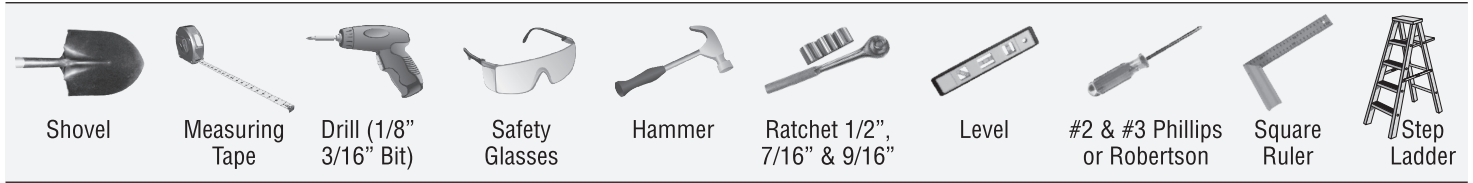
0-60 days from date from purchase: Free Parts & Free Shipping | 61 days -10 years from purchase: Free Parts + Shipping & Handling

This Warranty gives you specific legal rights. You may have other rights as well which vary from state to state or province to province. This warranty excludes all consequential damages, however, some states do not allow the limitation or exclusion of consequential damages, and therefore this limitation may not apply to you.

Complete the registration of your Selwood Product purchase online at: www.selwoodproducts.com/warranty-registration
Please refer to the back of this instruction manual for details on how to register your Selwood Products purchase.

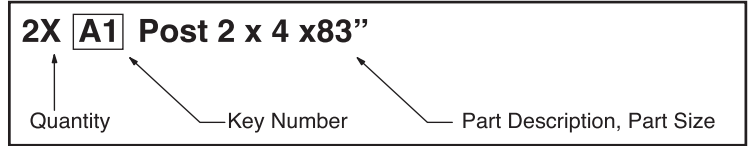
Keys to Assembly Success

Tools Required



Part Identification Key

On each page, you will find the parts and quantities required to complete the assembly step illustrated on that page. Here is a sample.



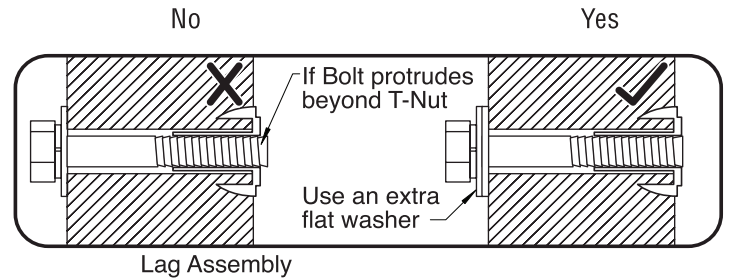
Symbols

Throughout these instructions symbols are provided as important reminders for proper and safe assembly.

<p>This identifies information that requires special attention. Improper assembly could lead to an unsafe or dangerous condition.</p> <p>Use Help Where this is shown, 2 or 3 people are required to safely complete the step. To avoid injury or damage to the assembly make sure to get help!</p> <p>Measure Distance Check that assembly is square before tightening bolts.</p> <p>Square Assembly Use a measuring tape to assure proper location.</p>	<p>Check that set or assembly is properly level before proceeding.</p> <p>Pre-drill 1/8\"/> </p>
--	--

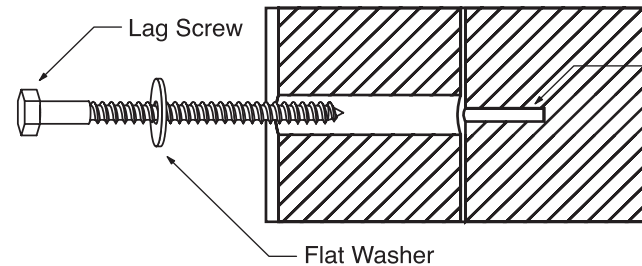
CAUTION – Protrusion Hazard

Once the assembly is tightened, watch for exposed threads. If a thread protrudes from the T-Nut, remove the bolt and add washers to eliminate this condition. Extra washers have been provided for this purpose.



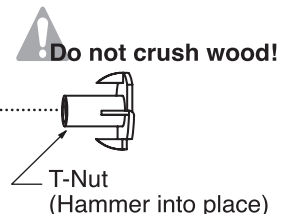
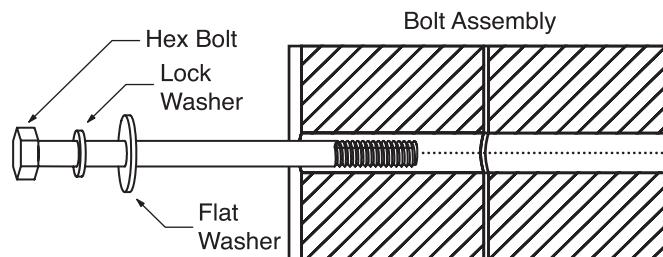
Proper Hardware Assembly

Lag screws require drilling pilot holes to avoid splitting wood. Only a flat washer is required. For ease of installation liquid soap can be used on all lag-type screws.



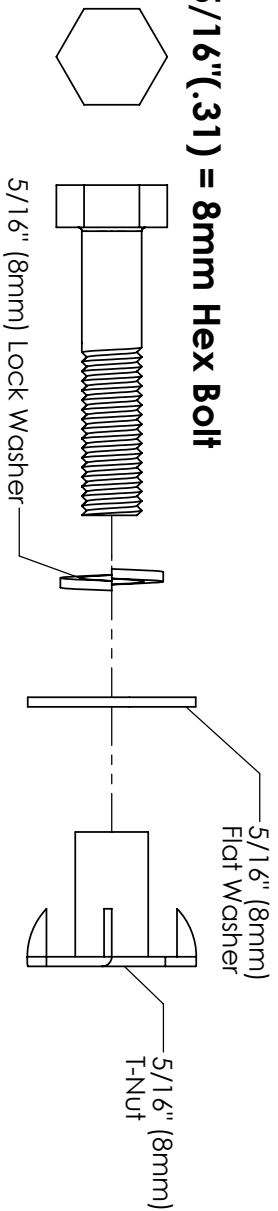
Before mounting Lag Screw, use factory drilled holes as guides to drill 1/8\"/>

For bolts, tap T-Nut into hole with hammer. Insert the hex bolt through lock washer first then flat washer then hole. Because the assemblies need to be squared do not completely tighten until instructed. Pay close attention to diameter of the bolts. 5/16\"/>

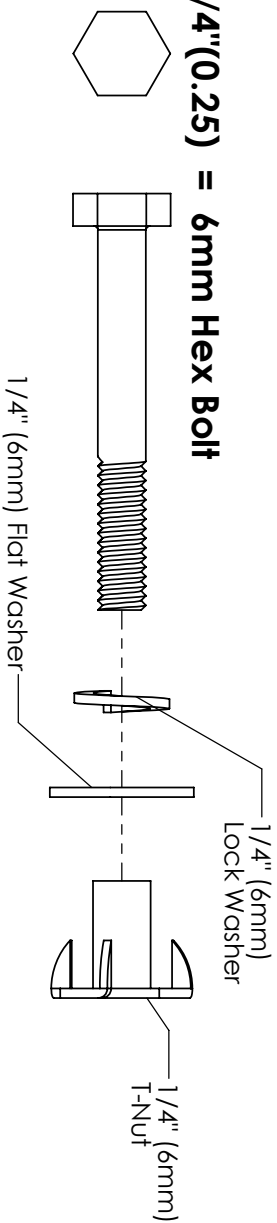


SOLOWAYE DESIGN HARDWARE

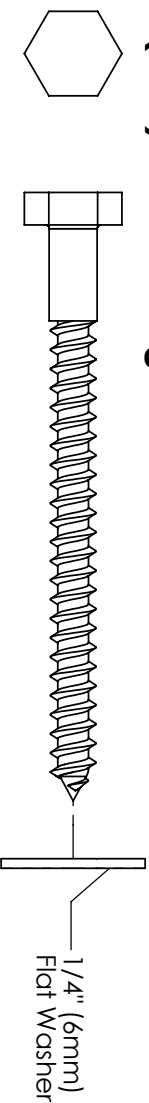
5/16"(.31) = 8mm Hex Bolt



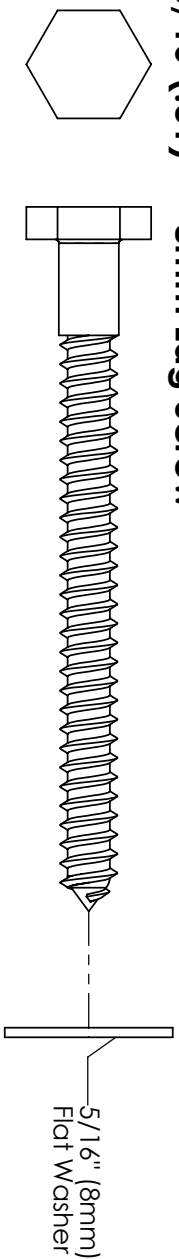
1/4"(0.25) = 6mm Hex Bolt



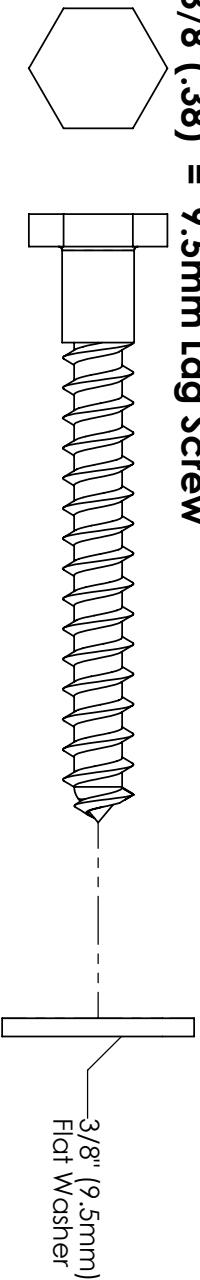
1/4"(0.25) = 6mm Lag Screw



5/16"(.31) = 8mm Lag Screw



3/8"(.38) = 9.5mm Lag Screw



HARDWARE LENGTH CHART
inches vs millimetres

6	152
5 1/2	140
5	127
4 1/2	114
4	102
3 1/2	89
3	76
2 1/2	64
2	51
1 1/2	38
1 1/4	32
1-1/8	29
1	25.4
7/8	22
3/4	19
1/2	12.7

DIAMETER CONVERSION

1 inch = 25.4mm

For example:

BOLT DIAMETER 5/16 (0.31) inches

0.31 inches x 25.4mm = 8mm

LENGTH CONVERSION

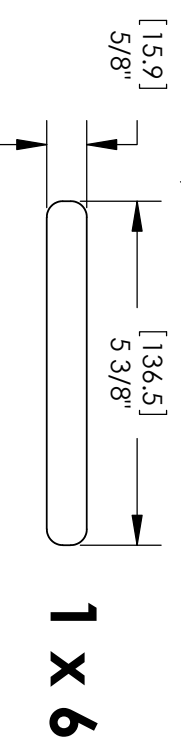
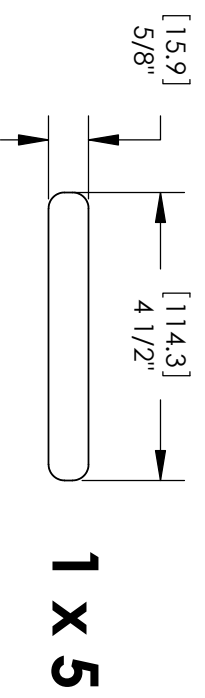
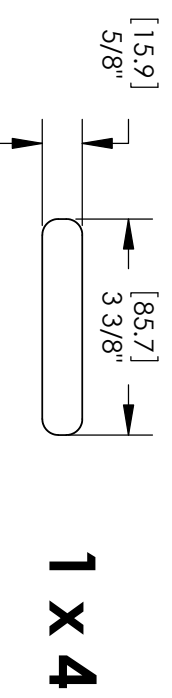
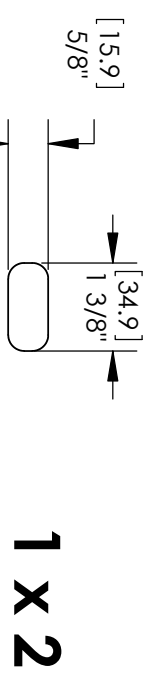
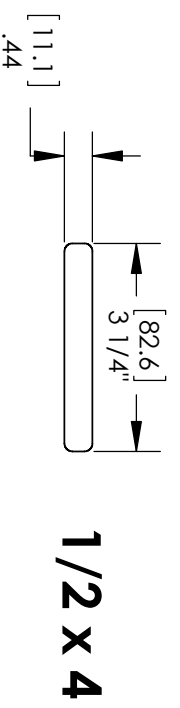
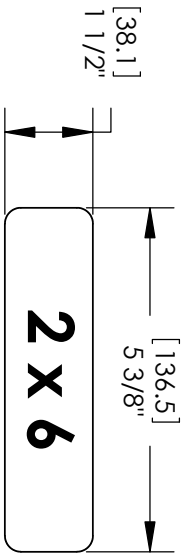
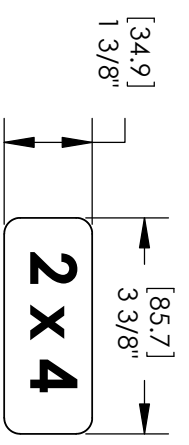
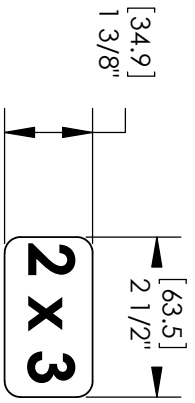
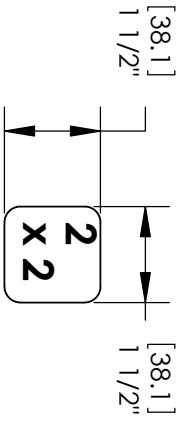
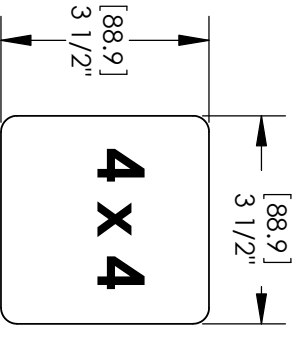
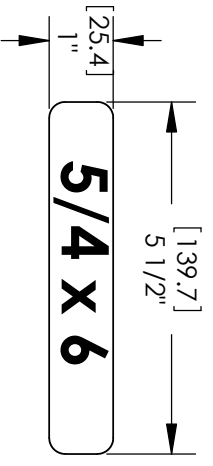
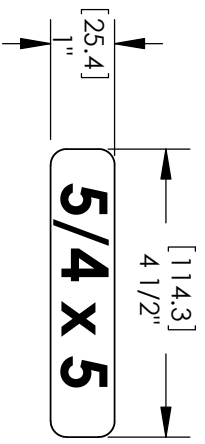
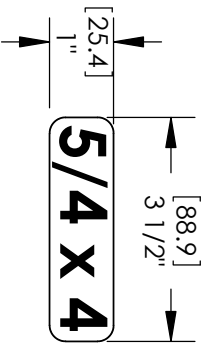
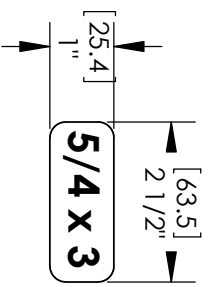
1 inch = 25.4mm

For example:

BOLT LENGTH 4 1/2 (4.5) inches long

4.5 inches x 25.4mm = 114mm long

SOLO)WAVE DESIGN WOOD PROFILES



Dimensions in brackets [mm] represent millimetres.

LENGTH CONVERSION

1 inch = 25.4mm

For example:

BOARD LENGTH 59 1/4 (59.25) inches

59.25 inches x 25.4mm = 1505mm

Part Identification (Reduced Part Size)

		Nominal Size	Actual Size
1774	(2) CE Gap Board 1 x 6 x 23-1/2" 3631774	2" x 6"	1 1/2" x 5 3/8"
1776	(4) Floor Board 1 x 6 x 23-1/2" 3631776	2" x 4"	1 3/8" x 3 3/8"
0839	(1) CE Gap Board 1 x 4 x 38-3/4" 3630839	2" x 3"	1 3/8" x 2 1/2"
1829	(2) Cedar Wall 1 x 5 x 28 3631829	2" x 2"	1 1/2" x 1 1/2"
1777	(3) CE Rock Board B 1 x 6 x 17" 3631777	5/4" x 4"	1" x 3 1/2"
1778	(2) CE Rock Board A 1 x 6 x 17" 3631778	5/4" x 5"	1" x 4 1/2"
1779	(1) CE Access Board 1 x 6 x 17" 3631779	5/4" x 6"	1" x 5 1/2"
1780	(1) Center Board 1 x 6 x 23-1/2" 3631780	1" x 6"	5/8" x 5 3/8"
5265	(2) Cedar Wall 1 x 4 x 28" 3635265	1" x 5"	5/8" x 4 1/2"
0312	(1) Gusset 2 x 3 x 16" 3640312	1" x 4"	5/8" x 3 3/8"
2470	(2) Rock Rail 2 x 3 x 50" 3632470	1/2" x 4"	7/16" x 3/4"
0369	(2) Lower Diagonal 2 x 3 x 37" 3640369		
1747	(1) Centre Divider 2 x 3 x 38" 3641747		
2448	(2) SW Floor 1 x 6 x 26-7/8" 3642448		
1761	(1) Side Joist 2 x 2 x 34-3/4" 3641761		
1763	(1) Floor Joist 5/4 x 2 x 38-1/2" 3641763		
1764	(1) Floor Front 2 x 3 x 38-1/2" 3641764		
1766	(2) Corner Block 2 x 3 x 4-1/2" 3641766		
1767	(1) Lower Front 1 x 6 x 39-3/4" 3641767		
2469	(4) Post 2 x 4 x 82" 3632469		
1782	(1) SL Spacer 2 x 3 x 17-5/8" 3641782		
2449	(1) Lower Back 1 x 6 x 39-3/4" 3642449		
2444	(1) Acro Top 5/4 x 6 x 69 1/2" 3642444		
2463	(1) Floor Back 1 x 6 x 38-3/4" 3642463		
1792	(2) Lower Side 1 x 5 x 62-3/8" 3641792		
1900	(1) Ridge 2 x 2 x 46-3/4" 3641900		
1795	(1) Top Back 1 x 5 x 38-1/2" 3641795		
1796	(2) Top End 1 x 4 x 46-1/2" 3641796		

Part Identification (Reduced Part Size)

Nominal Size	Actual Size
2" x 4"	1 ³ / ₈ " x 3 ³ / ₈ "
2" x 3"	1 ³ / ₈ " x 2 ¹ / ₂ "
2" x 2"	1 ¹ / ₂ " x 1 ¹ / ₂ "
5/4" x 4"	1" x 3 ¹ / ₂ "
5/4" x 5"	1" x 4 ¹ / ₂ "
1" x 5"	5/8" x 4 ¹ / ₂ "
1" x 4"	5/8" x 3 ³ / ₈ "

(2) Side Top 1 x 4 x 51-1/2"



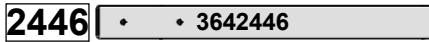
(1) Tarp Support 2 x 2 x 53-1/8"



(1) SW Mount 2 x 4 x 53-3/4"



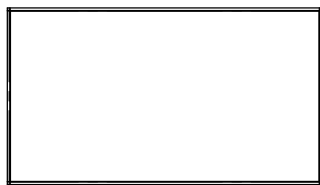
(1) SW Mount 2 x 4 x 35"



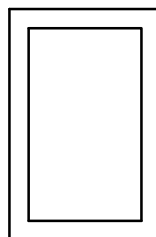
(3) Ground Stake 1-1/4 x 1-1/2 x 14"



(1) SW Spacer 1 x 2 x 6"



1X 3750703 Canopy



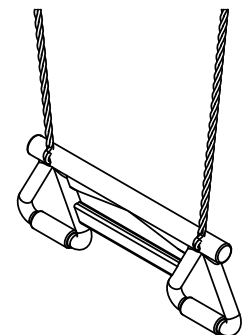
1X 9750111 Chalk Wall Tarp



1X 3320385 Rocks (5pk)
3-Green 2-Yellow

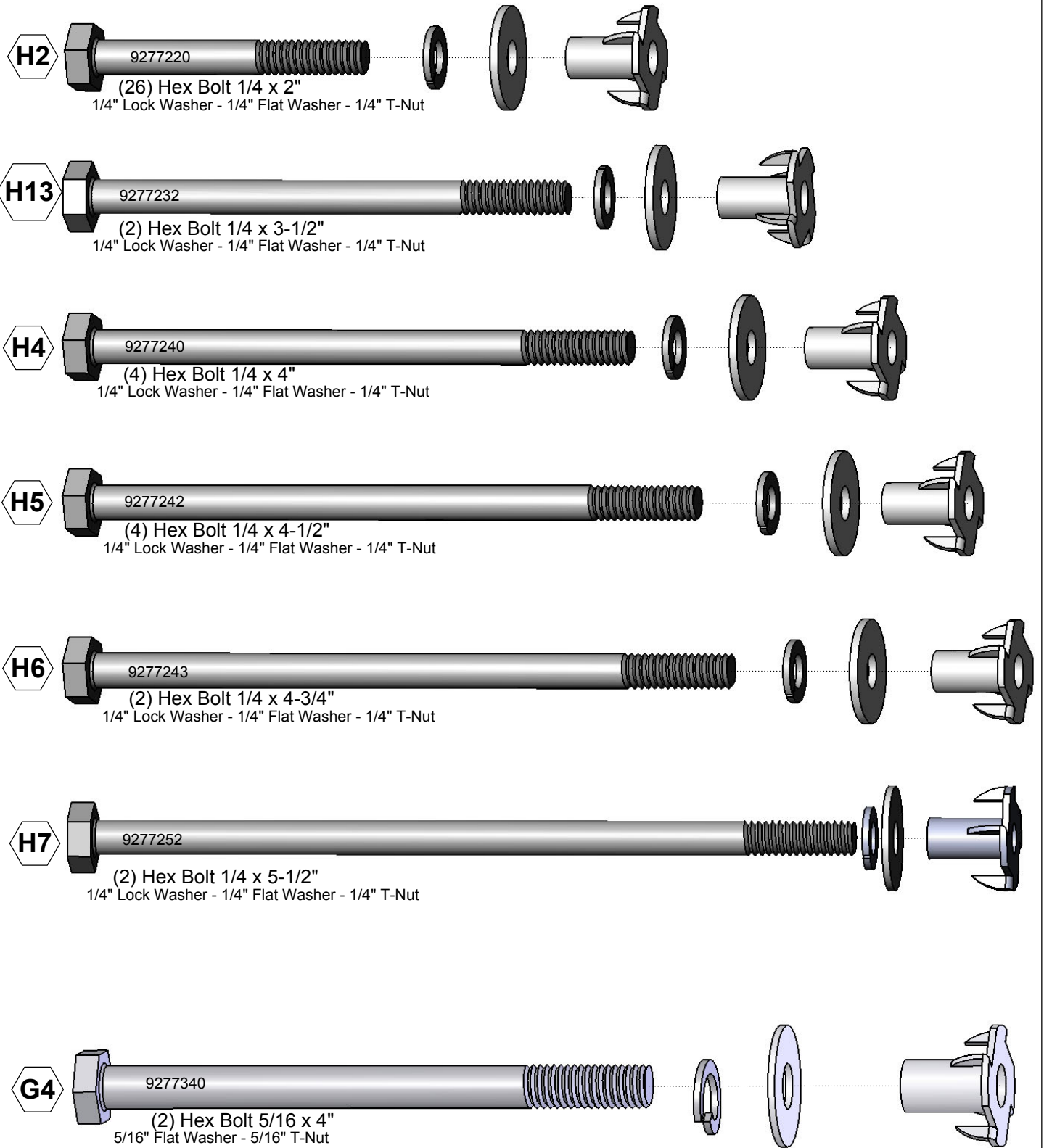


1X 3320356 Big Backyard
ID Plaque w/ hardware




1X 3724904
Acro Swing
w/ Rope attached

HARDWARE ID (Actual Size)



HARDWARE ID (Actual Size)


S5  (30) Pan Screw #8 x 1/2" (9264504)


S1  (16) Wood Screw #8 x 1-1/8" (9260514)

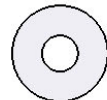
S2  (81) Wood Screw #8 x 1-1/2" (9260512)

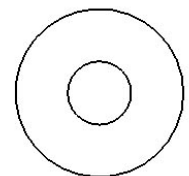
S15  (10) Wood Screw #8 x 1-3/4" (9260513)

S3  (12) Wood Screw #8 x 2-1/2" (9260522)

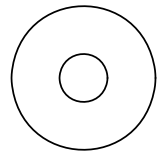
S4  (9) Wood Screw #8 x 3" (9260530)

S7  (13) Pan Screw #12 x 2" (9264620)

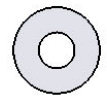
 (10)
3/16" Flat Washer
(9251100)

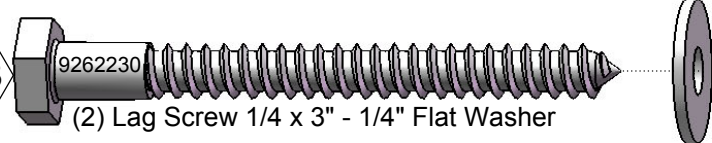
 (2)
5/16" Flat Washer
(9251300)

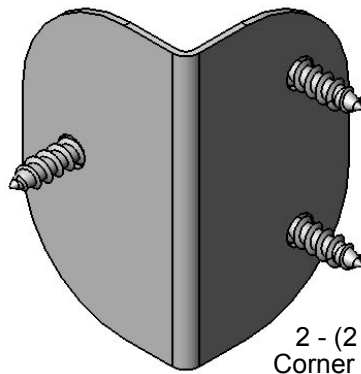
 (38)
1/4" Lock Washer
(9253200)

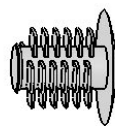
 (40)
1/4" Flat Washer
(9251200)

 (2)
5/16" Lock Washer
(9253300)

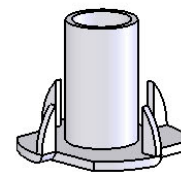
 (30)
#8 Flat Washer
(9251500)

LS3  (2) Lag Screw 1/4 x 3" - 1/4" Flat Washer

 2 - (2 pk)
Corner Brace
w/screws (9201100)

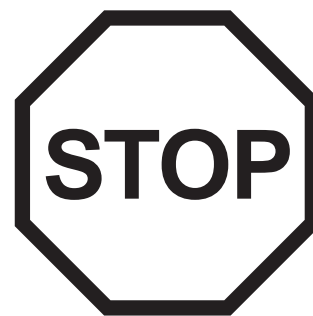
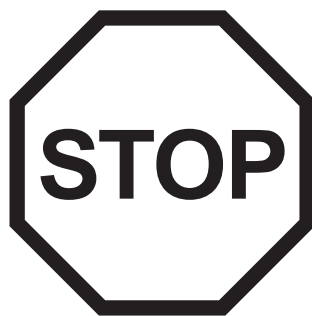
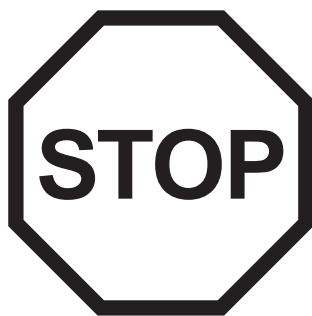
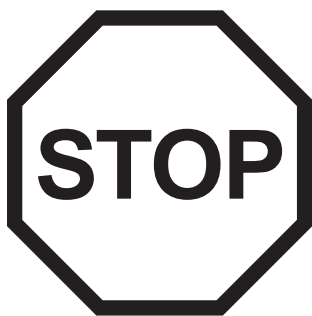
 1 - (9pk) Hole Plug
(3799949)

 (38)
1/4" T-Nut
(9285200)

 (2)
5/16" T-Nut
(9285300)

 1 - (4pk) Cable Ties (3799554)

Step 1: Inventory Parts - Read This Before Starting Assembly



- A.** This is the time for you to inventory all your hardware, wood and accessories, referencing the parts identification sheets. This will assist you with your assembly.
- The wood pieces will have the four digit key number stamped on the ends of the boards. The wood pieces are referenced throughout the instructions with this number.
 - Please refer to Page 6 for proper hardware assembly.
 - Each step indicates which bolts and/or screws you will need for assembly, as well as any flat washers, lock washers, t-nuts or lock nuts.
- B.** If there are any missing or damaged pieces or you need assistance with assembly please contact the Consumer Relations Department directly. Contact us before going back to the retailer.

**www.selwoodproducts.com
and select the Parts Centre**

- C.** Read the assembly manual completely, paying special attention to ANSI warnings; notes; and safety/maintenance information on pages 1 - 6.
- D.** Before you discard your cartons fill out the form below.
- The carton I.D. stamp is located on the end of each carton. The tracking number is located on the Big Backyard ID Plaque (3320356).
 - Please retain this information for future reference. You will need this information if you contact the Consumer Relations Department.

MODEL NUMBER: F24020E

CARTON I.D. STAMP: _ _ _ _ 14459 _ (Box 1)

CARTON I.D. STAMP: _ _ _ _ 14459 _ (Box 4)

CARTON I.D. STAMP: _ _ _ _ 14459 _ (Box 2)

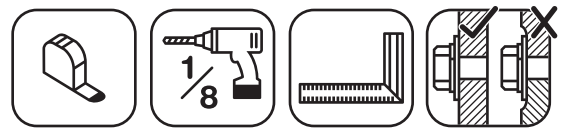
CARTON I.D. STAMP: _ _ _ _ 14459 _ (Box 5)

CARTON I.D. STAMP: _ _ _ _ 14459 _ (Box 3)

CARTON I.D. STAMP: _ _ _ _ 14459 _ (Box 6)

TRACKING NUMBER (from ID Plaque): _____

Step 2: Acro Side Wall Assembly



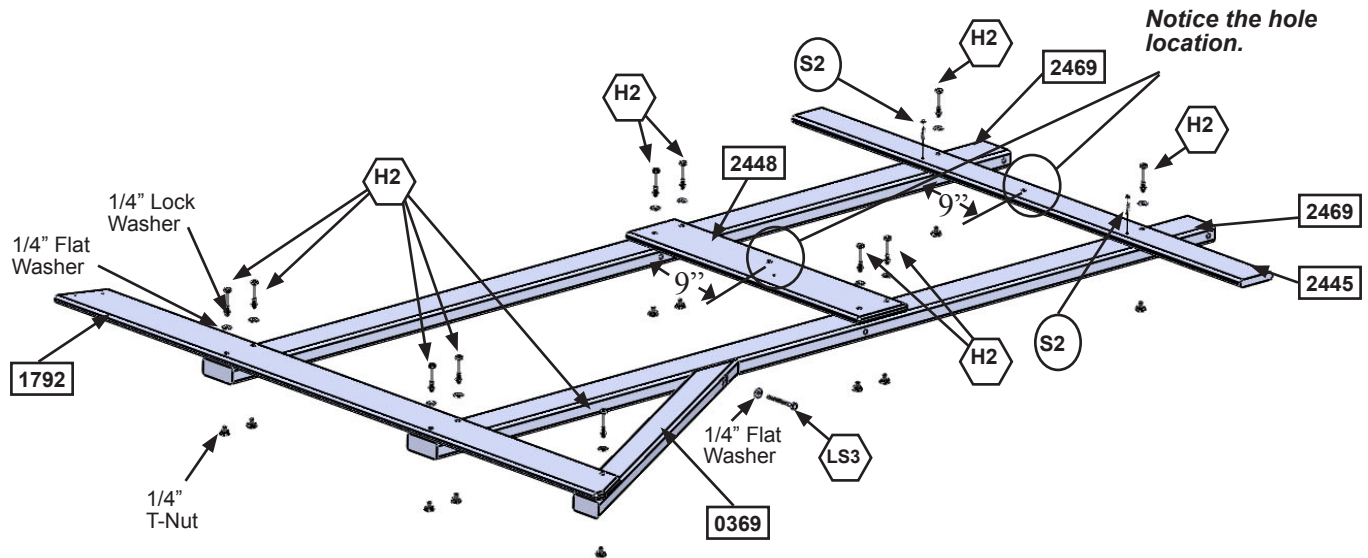
A: Loosely attach (1792) Lower Side and (2448) SW Floor with 4 (H2) 1/4 x 2" Hex Bolts (with lock washer, flat washer and t-nut) per board; and (2445) Side Top using 2 (H2) 1/4 x 2" Hex Bolts (with lock washer, flat washer and t-nut) to 2 (2469) Posts as shown in fig. 2.1. Notice the hole locations in (2448) SW Floor and (2445) Side Top must be 9" from the (2469) Post shown in fig. 2.1.

Note: Pre-drill all holes using a 1/8" drill bit before installing the lag screws.

B: Make sure assembly is square and then loosely attach (0369) Lower Diagonal to (1792) Lower Side on the one side shown in fig. 2.1 with 1 (H2) 1/4 x 2" Hex Bolt (with lock washer, flat washer and t-nut), then fasten (0369) Lower Diagonal to (2469) Post using 1 (LS3) 1/4 x 3" Lag Screws (with flat washer). (fig. 2.1)

C: Fasten (2445) Side Top to both (2469) Posts using 2 (S2) #8 x 1-1/2" Wood Screws.

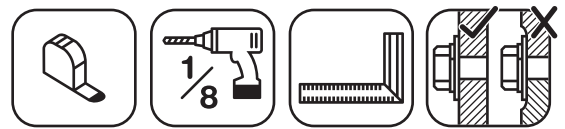
Fig. 2.1



Wood Parts	
1 x	1792 Lower Side 1 x 5 x 62-3/8"
1 x	0369 Lower Diagonal 2 x 3 x 37"
1 x	2448 SW Floor 1 x 6 x 26-7/8"
1 x	2445 Side Top 1 x 4 x 51-1/2"
2 x	2469 Post 2 x 4 x 82"

Hardware	
11 x	H2 1/4 x 2" Hex Bolt (1/4" lock washer, 1/4" flat washer, 1/4" t-nut)
1 x	LS3 1/4 x 3" Lag Screw (1/4" flat washer)
2 x	S2 #8 x 1-1/2" Wood Screw

Step 3: Swing Side Wall Assembly



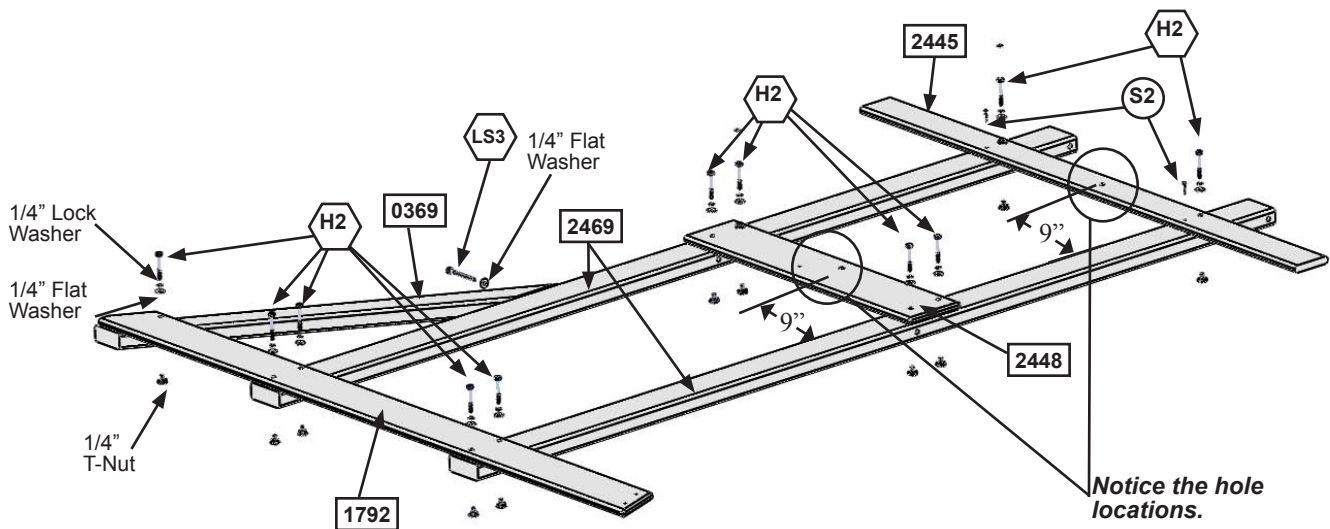
A: Loosely attach (1792) Lower Side and (2448) SW Floor with 4 (H2) 1/4 x 2" Hex Bolts (with lock washer, flat washer and t-nut) per board; and (2445) Side Top using 2 (H2) 1/4 x 2" Hex Bolts (with lock washer, flat washer and t-nut) to 2 (2469) Posts as shown in fig. 3.1. Notice the hole locations in (2448) SW Floor and (2445) Side Top must be 9" from the (2469) Post shown in fig. 3.1.

Note: Pre-drill all holes using a 1/8" drill bit before installing the Lag Screws.

B: Make sure assembly is square and then loosely attach (0369) Lower Diagonal to (1792) Lower Side on the one side shown in fig. 3.1, with 1 (H2) 1/4 x 2" Hex Bolt (with lock washer, flat washer and t-nut), notice this is the opposite side from Step 2. Fasten (0369) Lower Diagonal to (2469) Post using 1 (LS3) 1/4 x 3" Lag Screws (with flat washer). (fig. 3.1)

C: Fasten (2445) Side Top to both (2469) Posts using 2 (S2) #8 x 1-1/2" Wood Screws. (fig. 3.1)

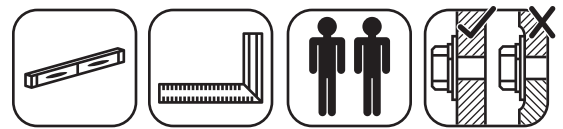
Fig. 3.1



Wood Parts	
2 x	2469 Post 2 x 4 x 82"
1 x	2445 Side Top 1 x 4 x 51-1/2"
1 x	2448 SW Floor 1 x 6 x 26-7/8"
1 x	1792 Lower Side 1 x 5 x 62-3/8"
1 x	0369 Lower Diagonal 2 x 3 x 37"

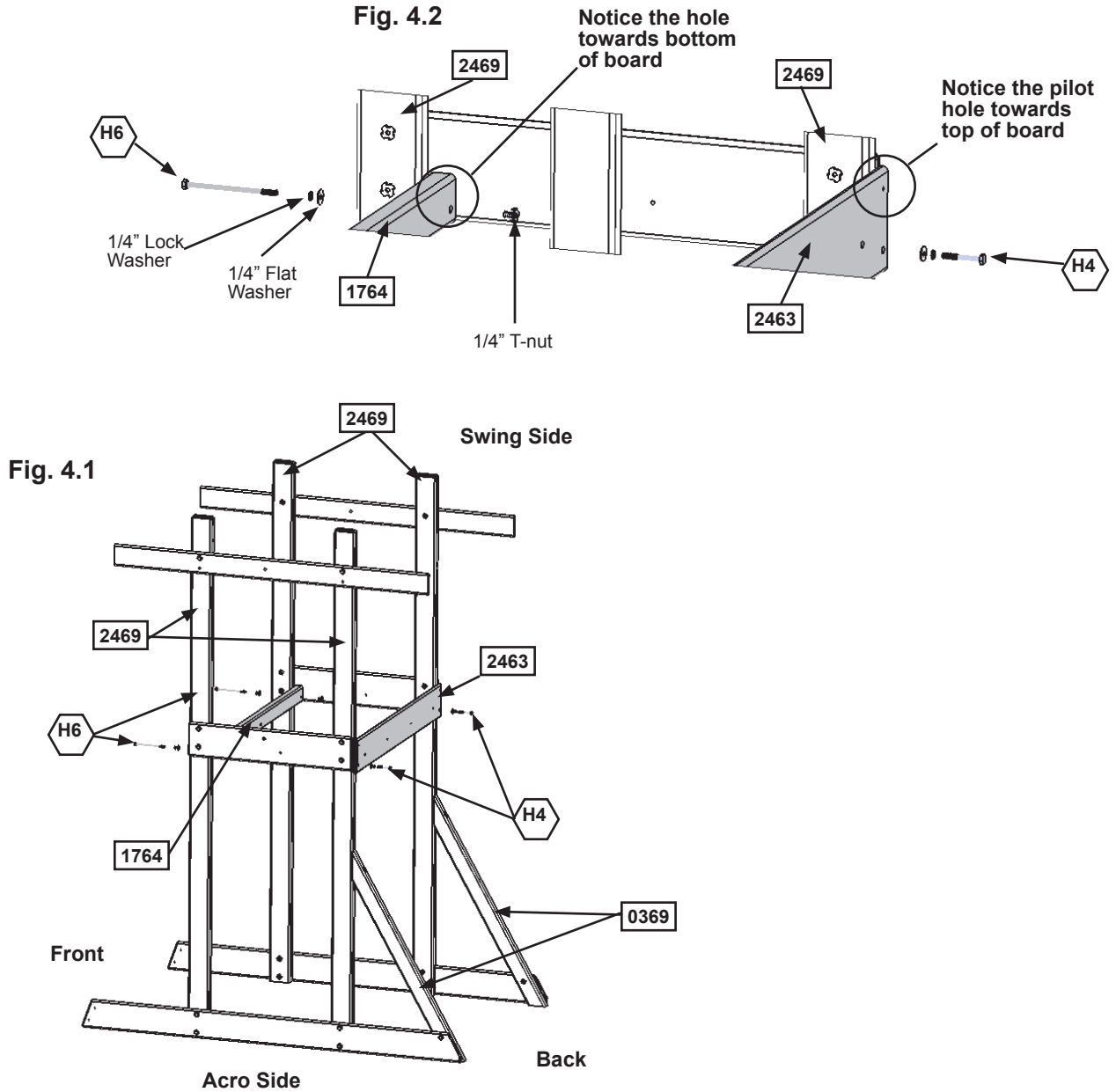
Hardware	
11 x	H2 1/4 x 2" Hex Bolt (1/4" lock washer, 1/4" flat washer, 1/4" t-nut)
1 x	LS3 1/4 x 3" Lag Screw (1/4" flat washer)
2 x	S2 #8 x 1-1/2" Wood Screw

Step 4: Fort Frame Assembly Part 1



A: On the front of the assembly, side without the (0369) Lower Diagonals, loosely attach (1764) Floor Front to both (2469) Posts, noticing the bolt holes are towards the bottom of the board, with 2 (H6) 1/4 x 4-3/4" Hex Bolts (with lock washer, flat washer and t-nut). (fig. 4.1 and 4.2)

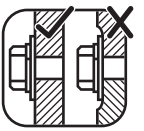
B: On the back of the assembly loosely attach (2463) Floor Back to both (2469) Posts, noticing the pilot holes are towards the top of the board, with 2 (H4) 1/4 x 4" Hex Bolts (with lock washer, flat washer and t-nut) in the bottom holes. (fig. 4.1 and 4.2)



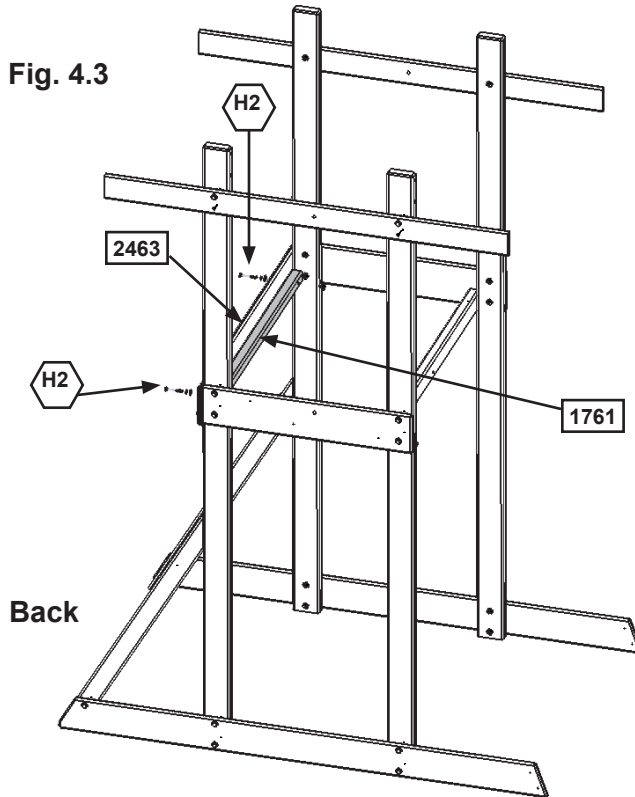
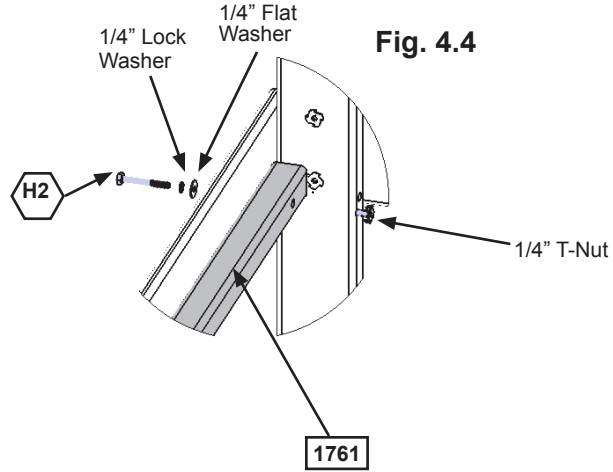
- Wood Parts**
- 1 x Floor Front 2 x 3 x 38-1/2"
 - 1 x Floor Back 1 x 6 x 38-3/4"

- Hardware**
- 2 x 1/4 x 4" Hex Bolt (1/4" lock washer, 1/4" flat washer, 1/4" t-nut)
 - 2 x 1/4 x 4-3/4" Hex Bolt (1/4" lock washer, 1/4" flat washer, 1/4" t-nut)

Step 4: Fort Frame Assembly Part 2



C: From inside the assembly attach (1761) Side Joist to (2463) Floor Back with 2 (H2) 1/4 x 2" Hex Bolts (with lock washer, flat washer and t-nut) in the outside holes, as shown in fig. 4.3 and 4.4.



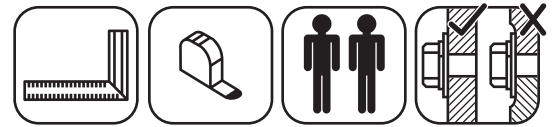
Wood Parts

1 x 1761 Side Joist 2 x 2 x 34-3/4"

Hardware

2 x H2 1/4 x 2" Hex Bolt (1/4" lock washer, 1/4" flat washer, 1/4" t-nut)

Step 5: Attach Chalk Wall Tarp to Fort Part 1



A: On the back of the assembly, from the inside, tuck Chalk Wall Tarp between (2463) Floor Back and both (2469) Posts. Align Chalk Wall Tarp to edge of both (2469) Posts and place just below second hole from the top of the posts. (fig. 5.1)

B: Measure 4" down from the top of each (2469) Post then make sure Chalk Wall Tarp is smooth and tight and attach to the outside of each (2469) Post, 1/2" in from the edge of the tarp, with 4 evenly spaced (S5) #8 x 1/2" Pan Screws (with #8 flat washer) per post. (fig. 5.1 and 5.2)

C: Make sure assembly is square then tighten bolts in (2463) Floor Back and (1764) Floor Front.

D: Attach (2463) Floor Back to both (2469) Posts and (1761) Side Joist with 4 (S7) #12 x 2" Pan Screws (with 3/16" flat washer) as shown in fig. 5.1 and 5.2.

Fig. 5.1

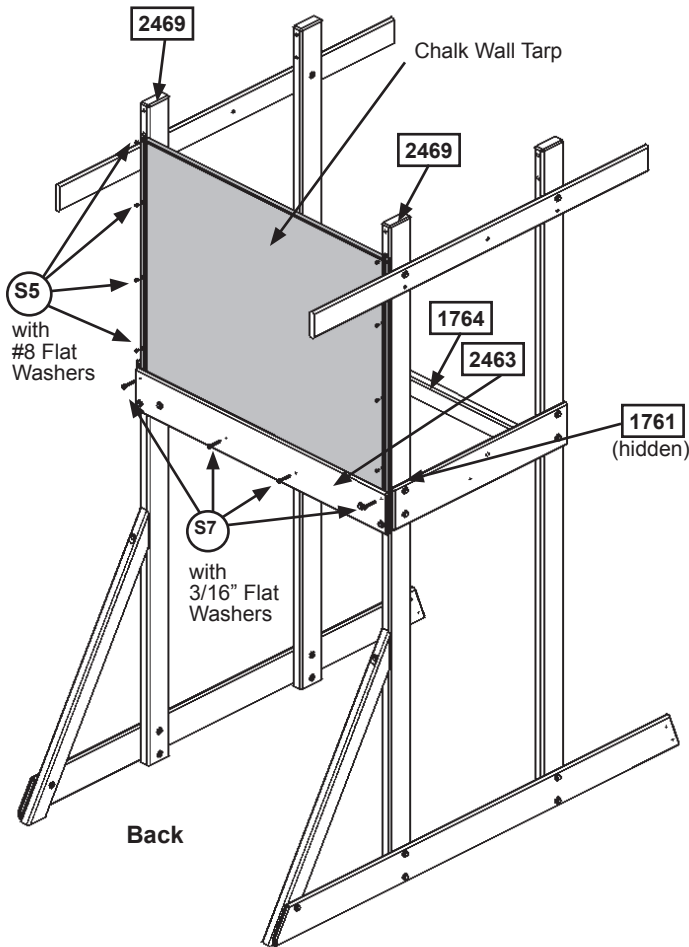
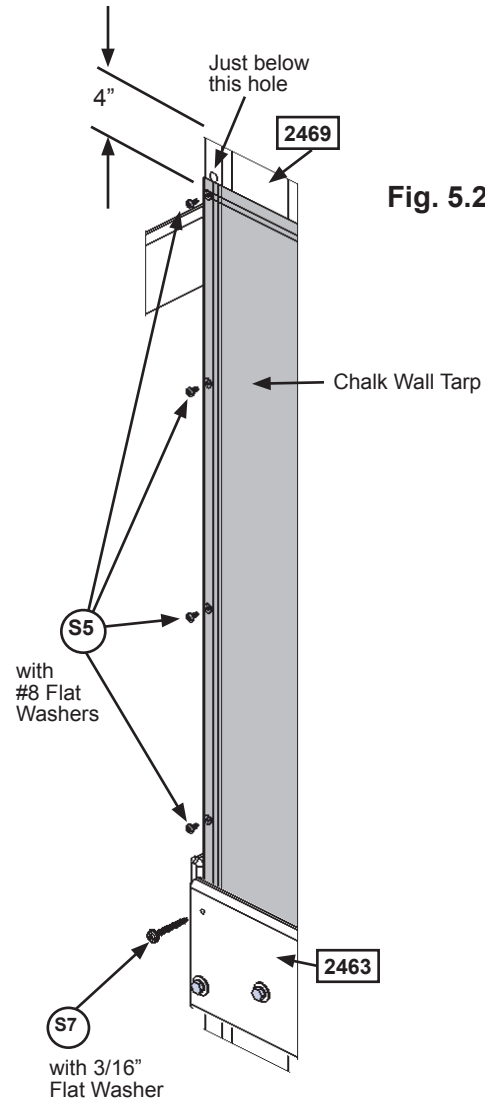


Fig. 5.2



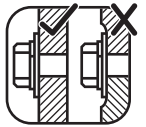
Hardware

- 8 x (S5) #8 x 1/2" Pan Screw (#8 flat washer)
- 4 x (S7) #12 x 2" Pan Screw (3/16" flat washer)

Other Parts

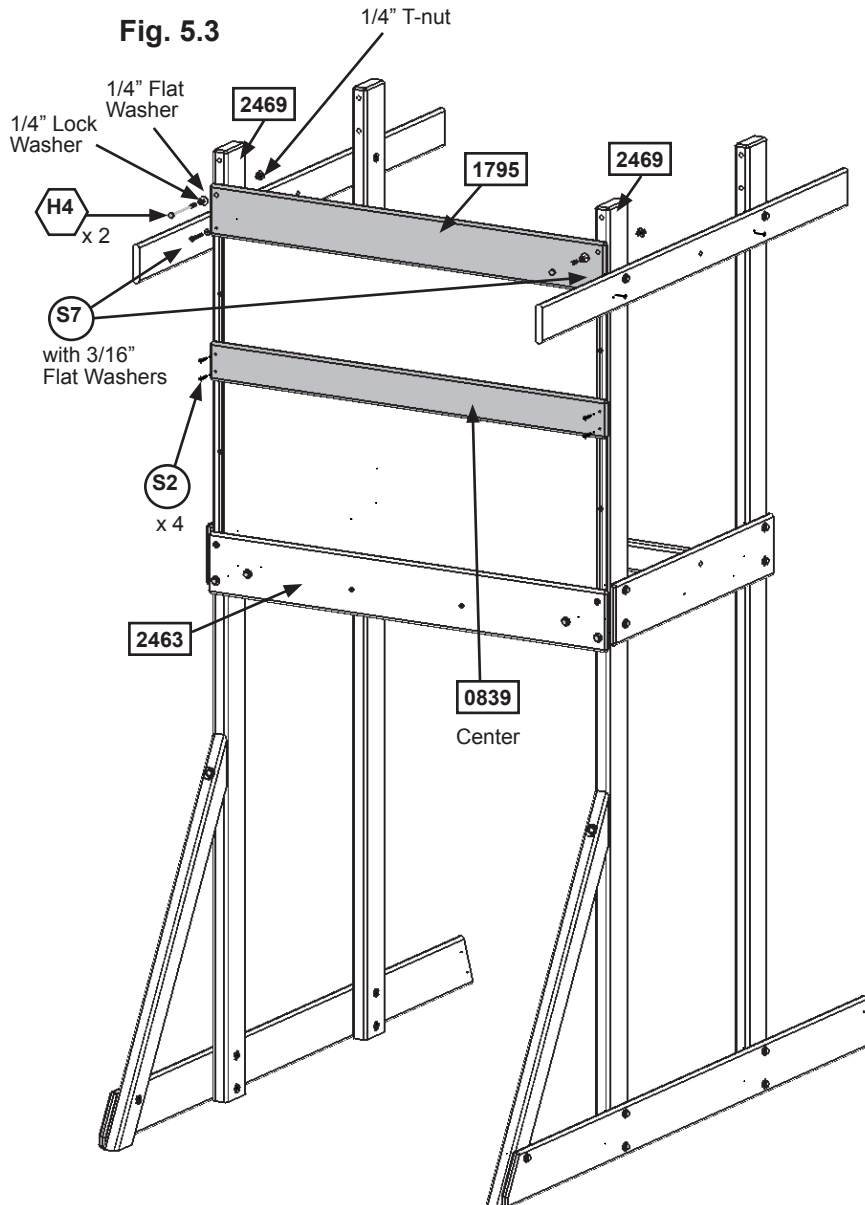
- 1 x Chalk Wall Tarp

Step 5: Attach Chalk Wall Tarp to Fort Part 2



E: On the outside of the Chalk Wall Tarp attach (1795) Top Back to each (2469) Post with 2 (H4) 1/4 x 4" Hex Bolts (with lock washer, flat washer and t-nut) in the top holes and 2 (S7) #12 x 2" Pan Screws (with 3/16" flat washer) in the bottom holes. (fig. 5.3)

F: Centre (0839) CE Gap Board between top of (2463) Floor Back and bottom of the (1795) Top Back then attach to both (2469) Posts with 4 (S2) #8 x 1-1/2" Wood Screws. (fig. 5.3)



Wood Parts

- 1 x 1795 Top Back 1 x 5 x 38-1/2"
- 1 x 0839 CE Gap Board 1 x 4 x 38-3/4"

Hardware

- 4 x S2 #8 x 1-1/2" Wood Screw
- 2 x S7 #12 x 2" Pan Screw (3/16" flat washer)
- 2 x H4 1/4 x 4" Hex Bolt (1/4" lock washer, 1/4" flat washer, 1/4" t-nut)

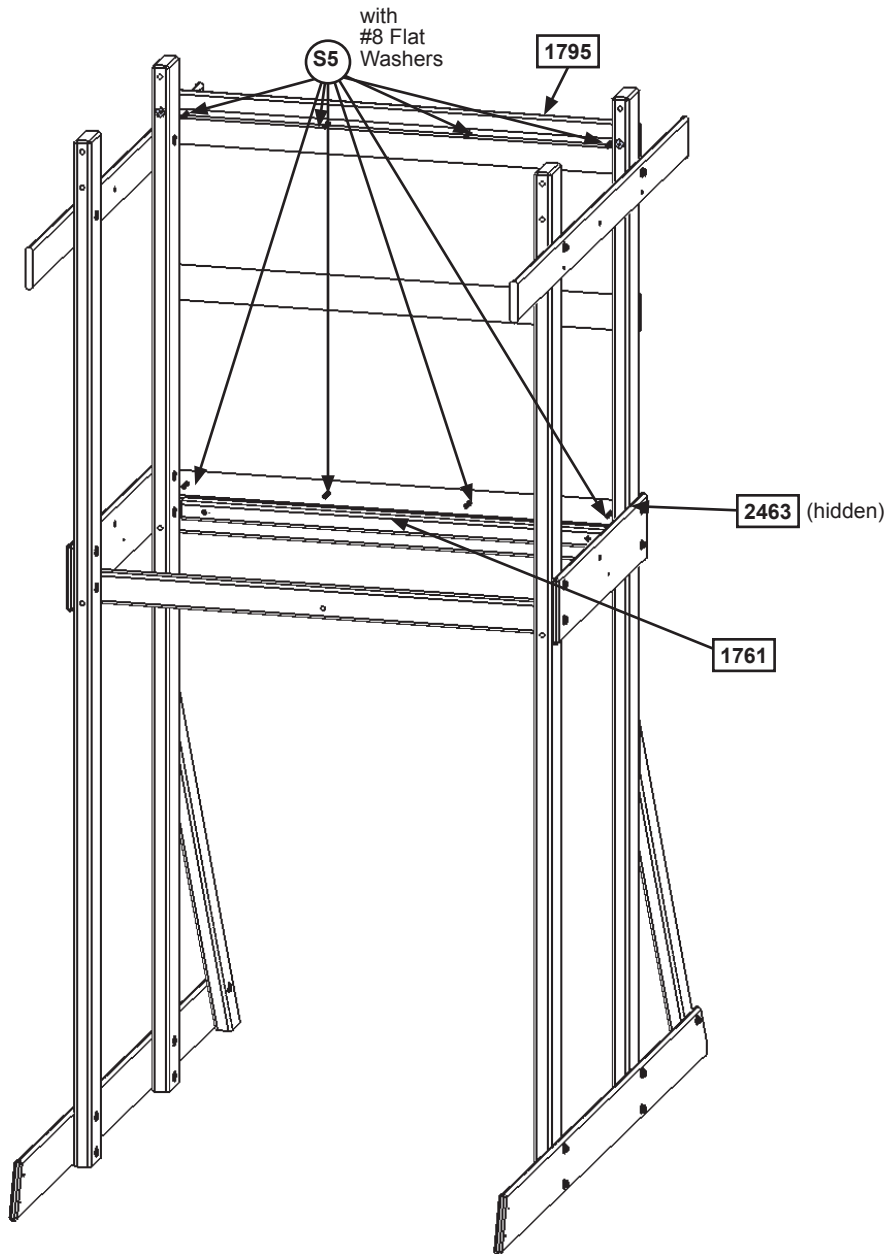
Step 5: Attach Chalk Wall Tarp to Fort Part 3



G: From inside the assembly attach Chalk Wall Tarp to (1795) Top Back, 1/2" in from the edge of the tarp, with 4 evenly spaced (S5) #8 x 1/2" Pan Screws (with #8 flat washer). (fig. 5.4)

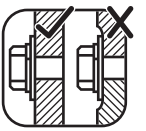
H: Measure 1" up from (1761) Side Joist then attach Chalk Wall Tarp to (2463) Floor Back with 4 evenly spaced (S5) #8 x 1/2" Pan Screws (with #8 flat washer). (fig. 5.4)

Fig. 5.4



Hardware

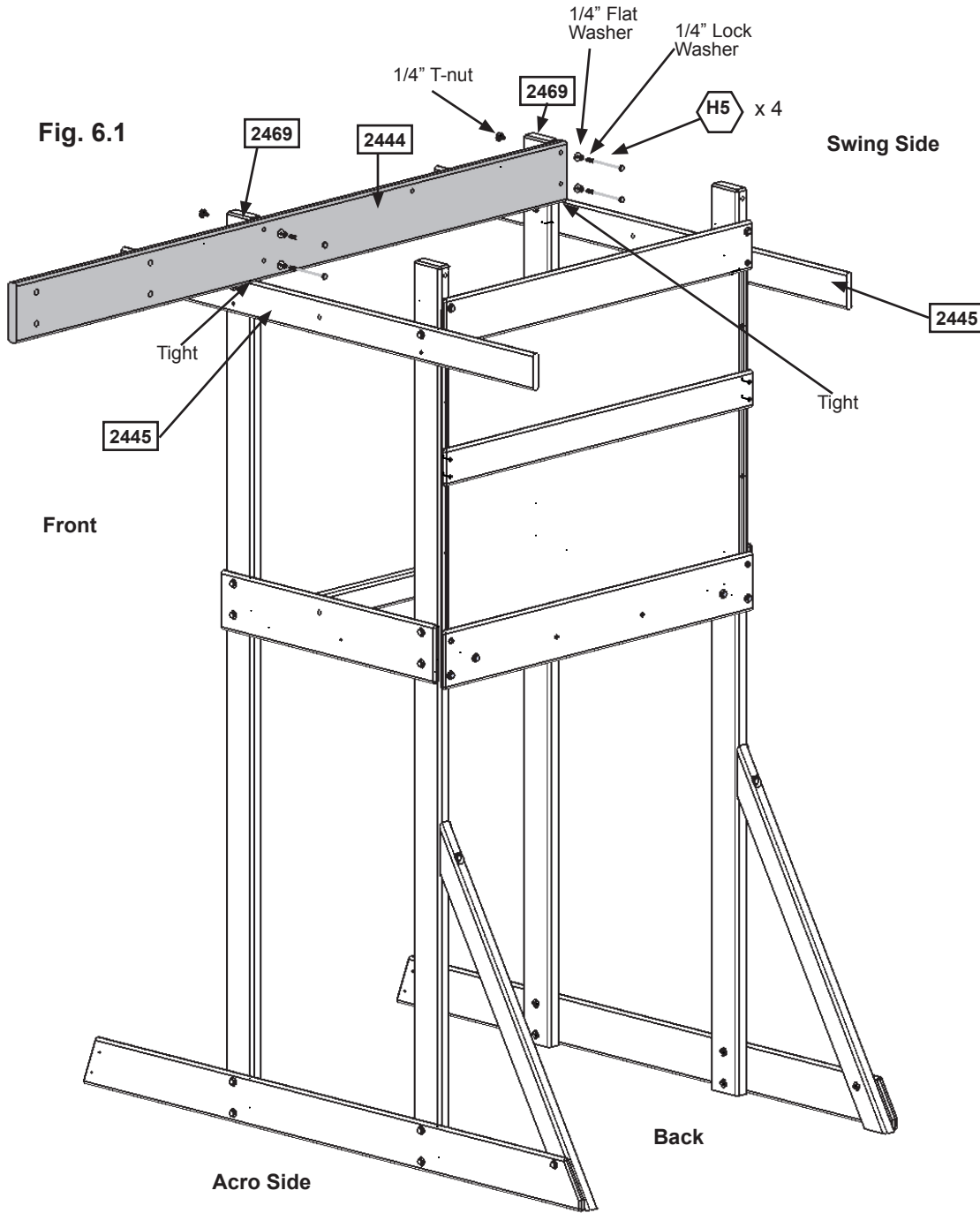
8 x  #8 x 1/2" Pan Screw (#8 flat washer)



Step 6: Attach Acro Top to Fort

A: On the front of the assembly, on the inside tight to the tops of both (2445) Side Tops, attach (2444) Acro Top to both (2469) Posts with 4 (H5) 1/4 x 4-1/2" Hex Bolts (with lock washer, flat washer and t-nut) as shown in fig. 6.1.

Notice the extended end is on the Acro Side of the fort.

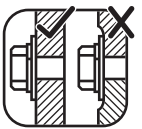


Wood Parts

1 x **2444** Acro Top 5/4 x 6 x 69-1/2"

Hardware

4 x **H5** 1/4 x 4-1/2" Hex Bolt (1/4" lock washer, 1/4" flat washer, 1/4" t-nut)



Step 7: Attach Lower Back to Fort

A: Place (2449) Lower Back flush to the bottom of each (0369) Lower Diagonal so the ends are flush with the outside face of each (1792) Lower Side, then attach with 4 (S7) #12 x 2" Pan Screws (with 3/16" flat washer). (fig. 7.1 and 7.2)

Fig. 7.1

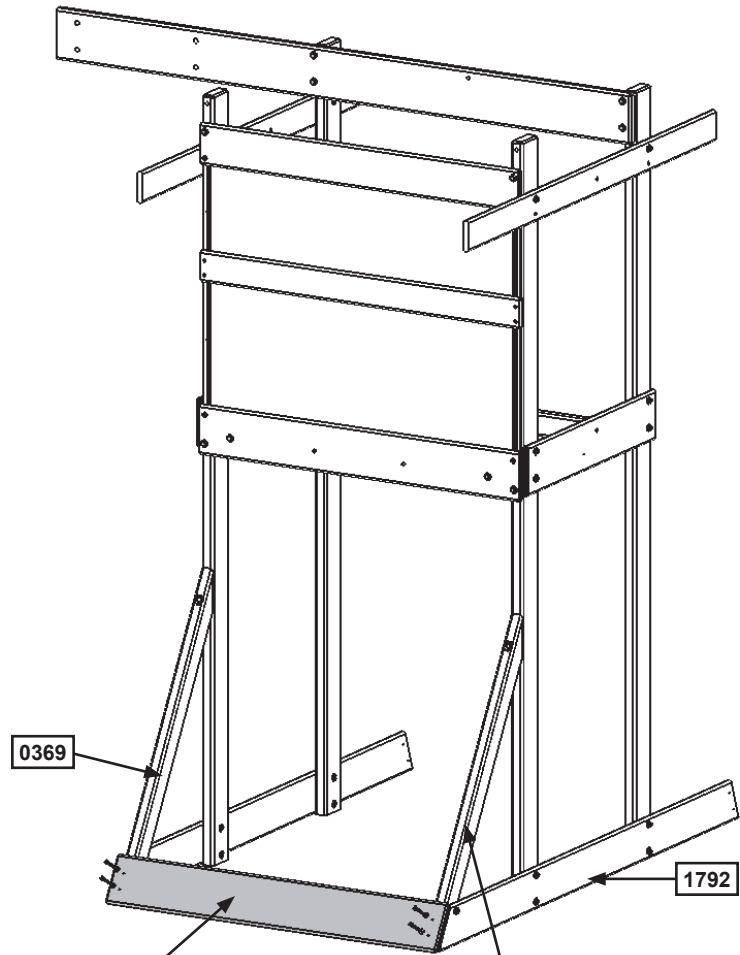
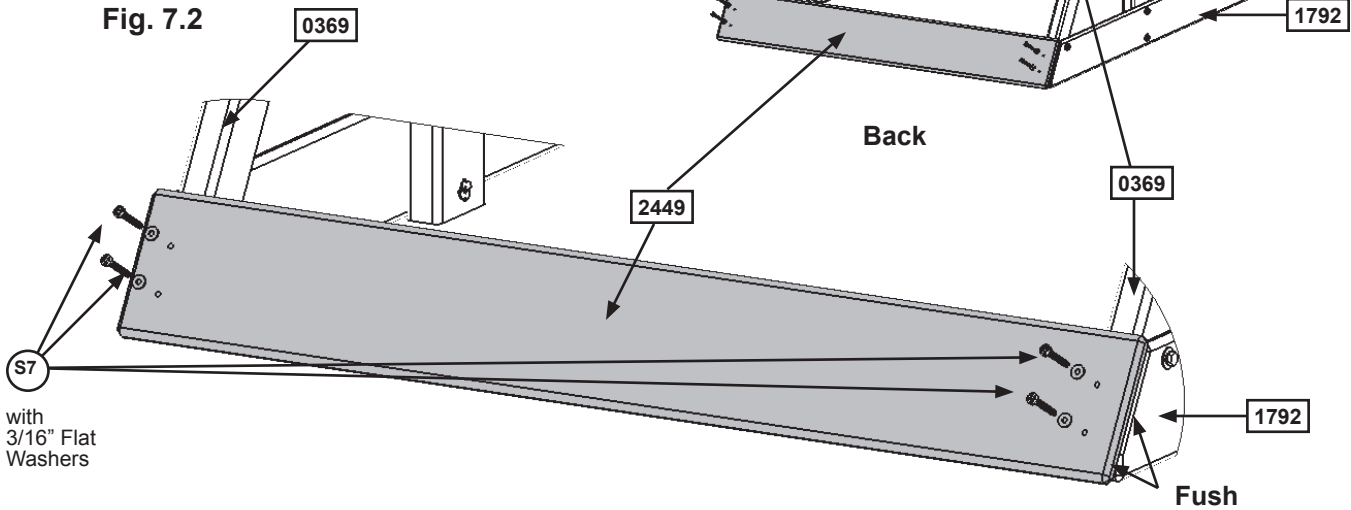


Fig. 7.2



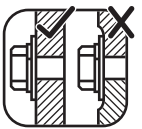
(S7)
with
3/16" Flat
Washers

Wood Parts

1 x (2449) Lower Back 1 x 6 x 39-3/4"

Hardware

4 x (S7) #12 x 2" Pan Screw (3/16" flat washer)



Step 8: Attach Centre Divider to Fort

A: With the notched end at the bottom and tight to (1764) Floor Front attach (1747) Centre Divider to (2444) Acro Top with 1 (H13) 1/4 x 3-1/2" Hex Bolt (with lock washer, flat washer and t-nut) installed from the outside of the assembly and to (1764) Floor Front with 1 (H13) 1/4 x 3-1/2" Hex Bolt (with lock washer, flat washer and t-nut) installed from the inside of the assembly, as shown in fig. 8.1 and 8.2.

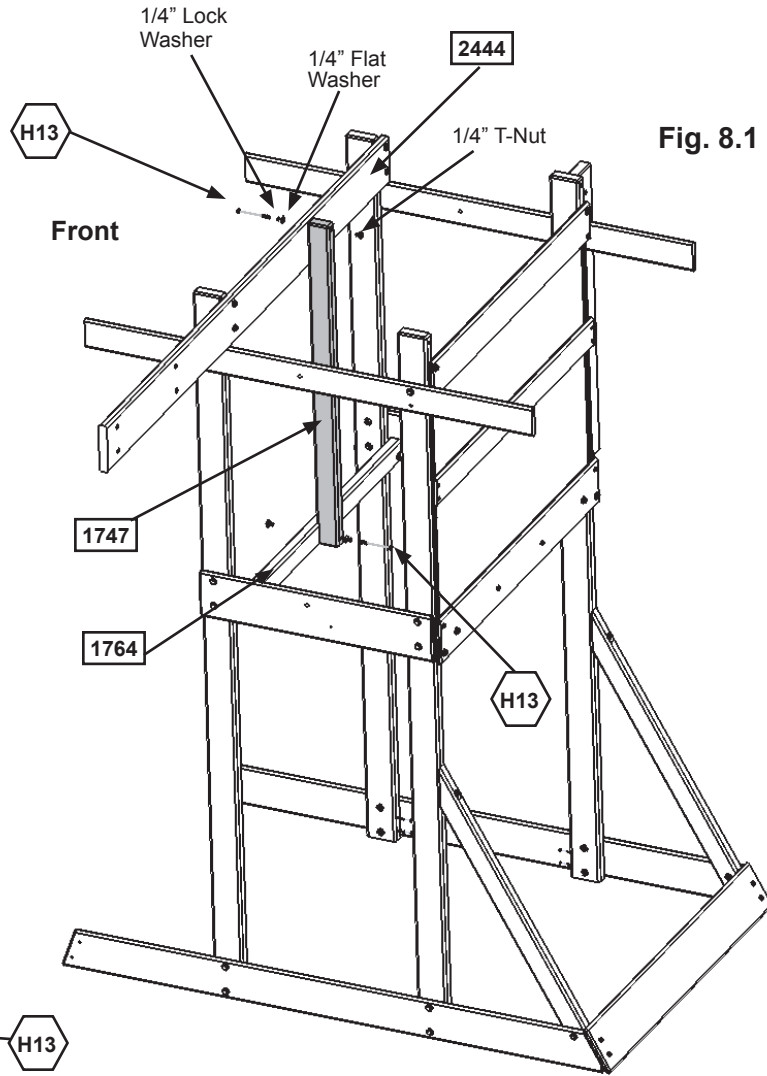


Fig. 8.1

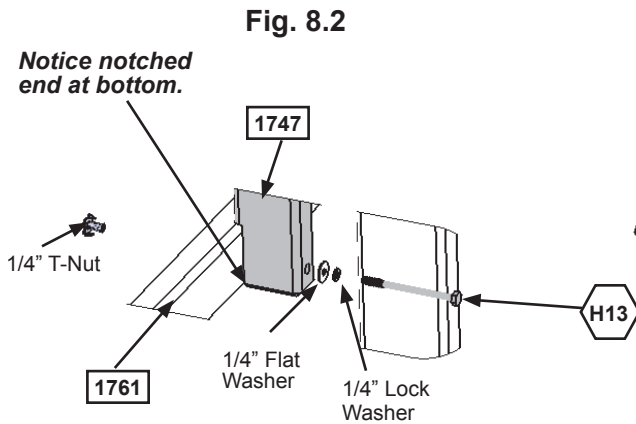


Fig. 8.2

Wood Parts

1 x **1747** Centre Divider 2 x 3 x 38"

Hardware

2 x **H13** 1/4 x 3-1/2" Hex Bolt (1/4" lock washer, 1/4" flat washer, 1/4" t-nut)

Step 9: Rock Wall Frame Assembly



A: Attach (1766) Corner Block flush to the bottom and side of 1 (2470) Rock Rail with 2 (S4) #8 x 3" Wood Screws, as shown in fig. 9.1. Notice which direction the angled edge of (2470) Rock Rail faces.

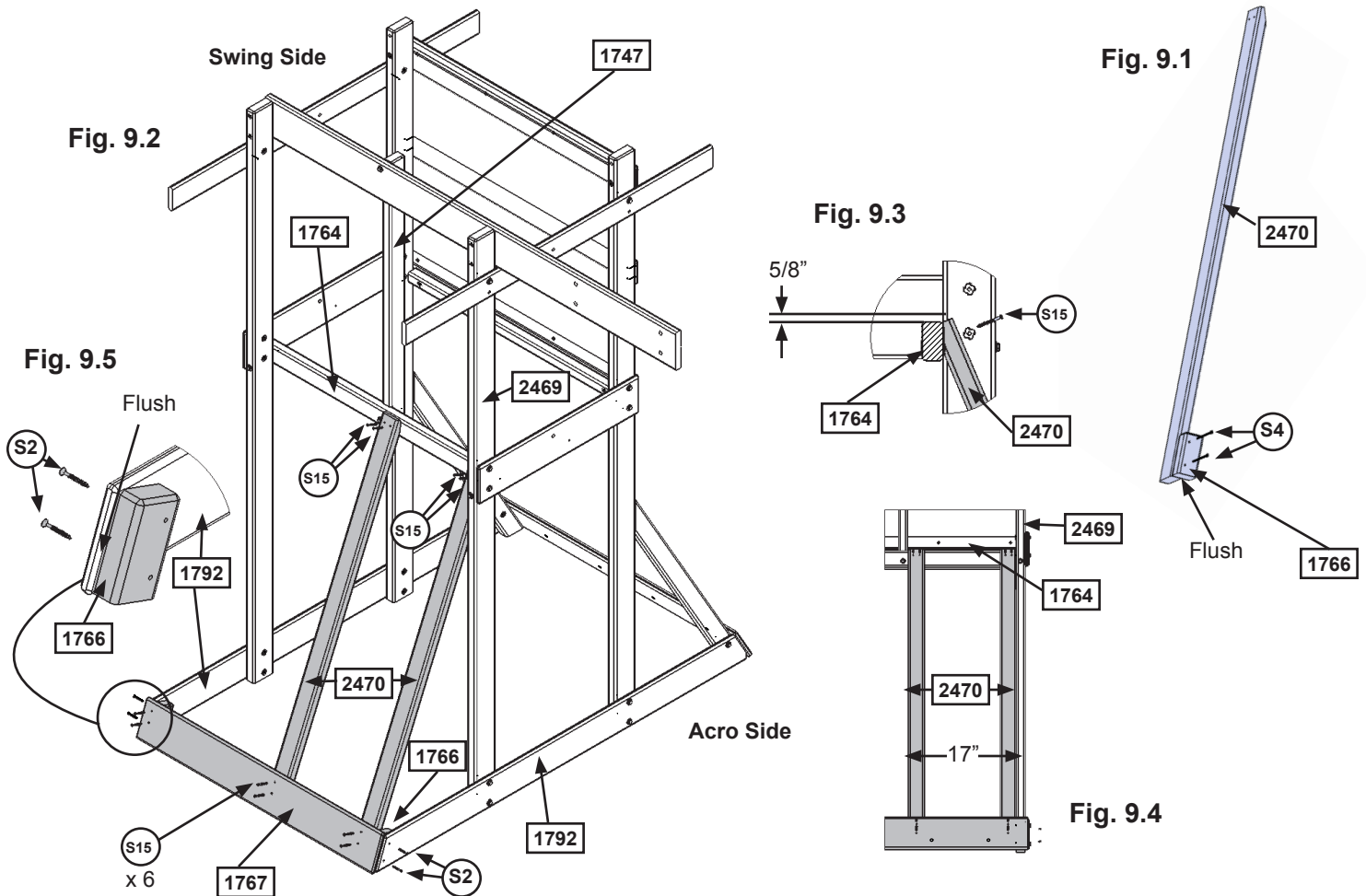
B: Place Rock Rail Assembly, from Step 9A 5/8" above (1764) Floor Front and tight to (2469) Post on the Acro Side. (fig. 9.3 and 9.4). Attach (2470) Rock Rail to (1764) Floor Front with 2 (S15) #8 x 1-3/4" Wood Screws as shown in fig. 9.2 and 9.3.

C: Attach (1792) Lower Side to (1766) Corner Block with 2 (S2) #8 x 1-1/2" Wood Screws. (fig. 9.2)

D: Attach a second (2470) Rock Rail 5/8" above (1764) Floor Front, flush to the inside edge of (1747) Centre Divider with 2 (S15) #8 x 1-3/4" Wood Screws as shown in fig. 9.2 and 9.3. Maintain 17" from outside of (2470) Rock Rails, top and bottom. (fig. 9.4)

E: Place a second (1766) Corner Block flush to the end of (1792) Lower Side on the Swing Side and attach with 2 (S2) #8 x 1-1/2" Wood Screws as shown in fig. 9.2 and 9.5.

F: Attach (1767) Lower Front to both (2470) Rock Rails and (1766) Corner Block on the Swing Side with 6 (S15) #8 x 1-3/4" Wood Screws. (fig. 9.2)



Wood Parts	
2 x	(2470) Rock Rail 2 x 3 x 50"
1 x	(1767) Lower Front 1 x 6 x 39-3/4"
2 x	(1766) Corner Block 2 x 3 x 4-1/2"

Hardware	
2 x	(S4) #8 x 3" Wood Screw
4 x	(S2) #8 x 1-1/2" Wood Screw
10 x	(S15) #8 x 1-3/4" Wood Screw

Step 10: Attach Gusset to Fort



A: Make sure the assembly is square before proceeding.

B: From the inside of the assembly, attach (0312) Gusset flush to the outside edge of (2469) Post on the Swing Wall using 2 (S4) #8 x 3" Wood Screws. The other end of the gusset should be tight against (1764) Floor Front. (fig. 10.1 and 10.2)

C: Attach the other end of (0312) Gusset to (1761) Side Joist with 2 (S4) #8 x 3" Wood Screws. (fig. 10.1 and 10.2)

Fig. 10.1

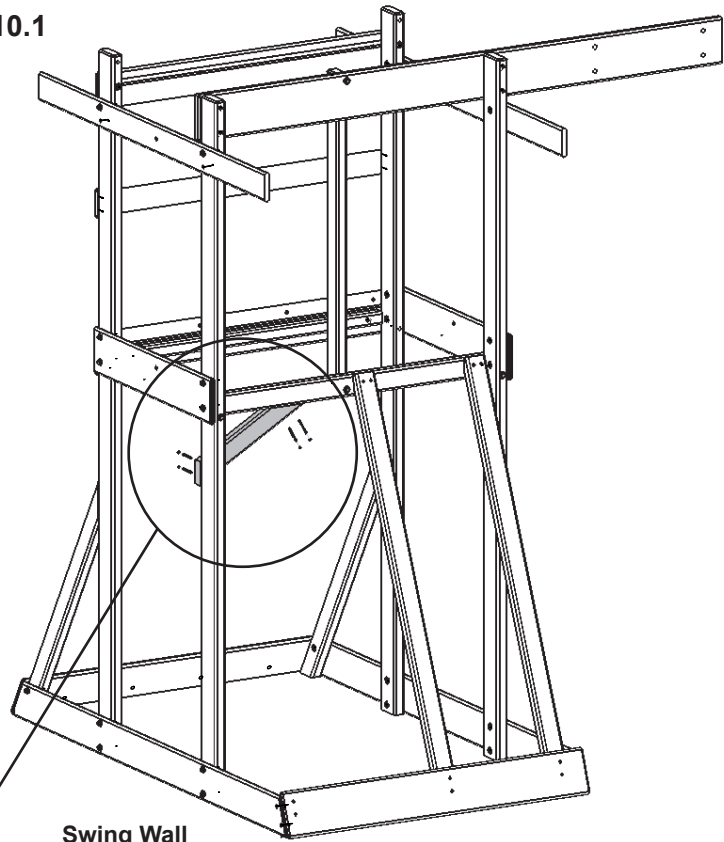
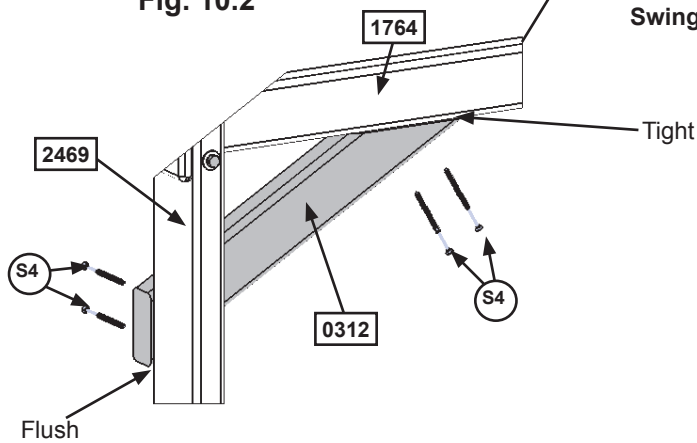


Fig. 10.2



Wood Parts

1 x 0312 Gusset 2 x 3 x 16"

Hardware

4 x S4 #8 x 3" Wood Screw

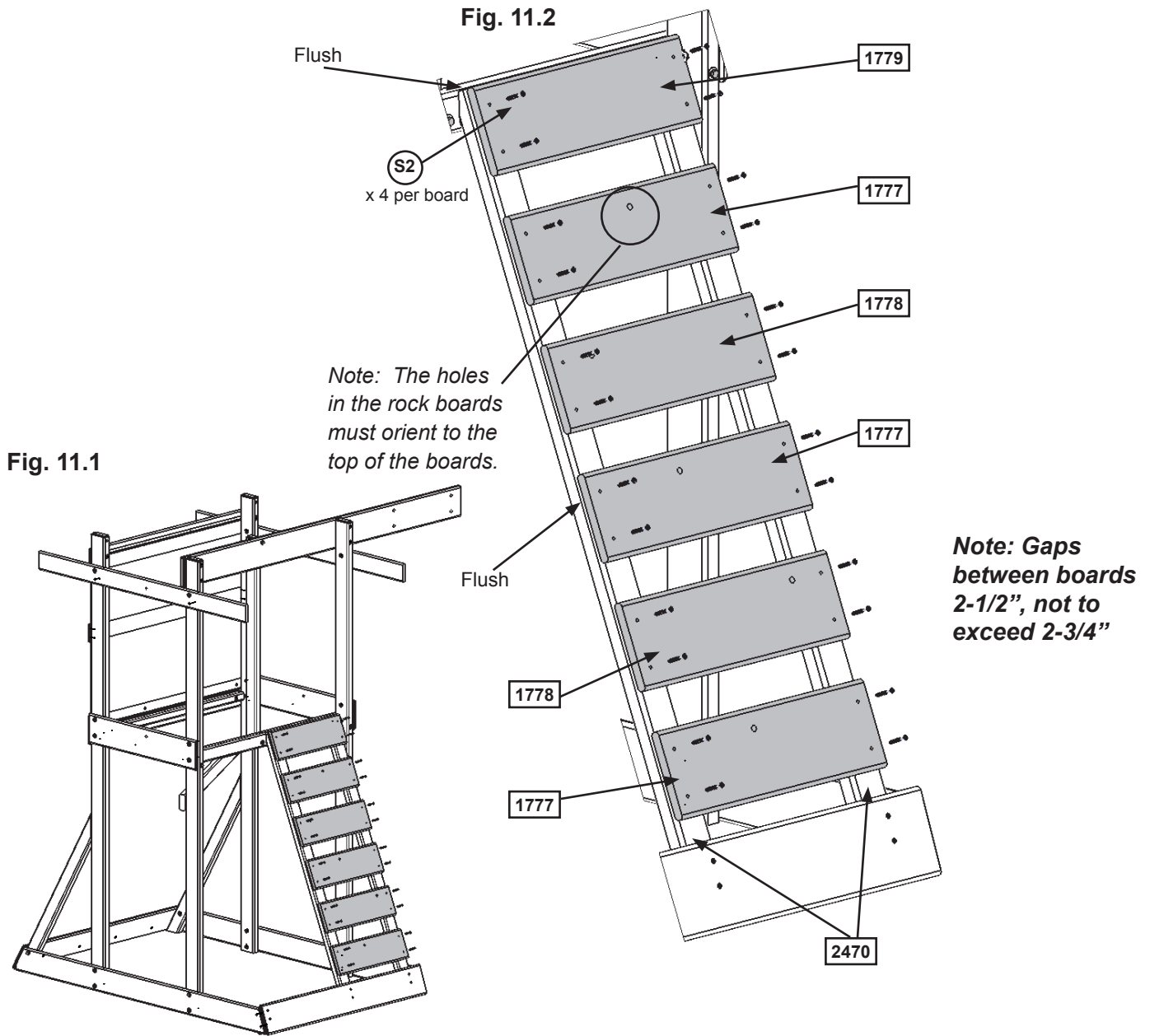
Step 11: Rock Wall Assembly



A: Attach (1779) CE Access Board flush to the top and outside edges of each (2470) Rock Rail with 4 (S2) #8 x 1-1/2" Wood Screws. (fig. 11.1 and 11.2)

B: Below (1779) CE Access Board stagger 3 (1777) CE Rock Board B and 2 (1778) CE Rock Board A, making sure they are evenly spaced with a minimum 2-1/2" and maximum 2-3/4" gap. The sides are flush to the outside edges of each (2470) Rock Rail. Attach using 4 (S2) #8 x 1-1/2" Wood Screws per board. (fig. 11.1 and 11.2)

Place the CE Rock Boards as you desire, but watch the hole placement to prevent rocks from forming a straight line.



Wood Parts

- 1 x 1779 CE Access Board 1 x 6 x 17"
- 3 x 1777 CE Rock Board B 1 x 6 x 17"
- 2 x 1778 CE Rock Board A 1 x 6 x 17"

Hardware

- 24 x S2 #8 x 1-1/2" Wood Screw

Step 12: Attach Rocks to Rock Board

A: Place 1 rock on each (1777) and (1778) CE Rock Board A & B (fig. 12.1 and 12.2) and attach using one 1/4 x 1-1/4" Pan Bolt (with lock washer, flat washer and barrel nut) and one #8 x 1" Pan Screw per rock. The rocks can be attached in any order. Hardware is included in the rock bag. (fig. 12.2)

The screw must be in the hole directly under the Pan Bolt, it will stop the rock from spinning. (fig. 12.2)

Note: Make sure all hardware is used to secure each rock properly.

Fig. 12.1

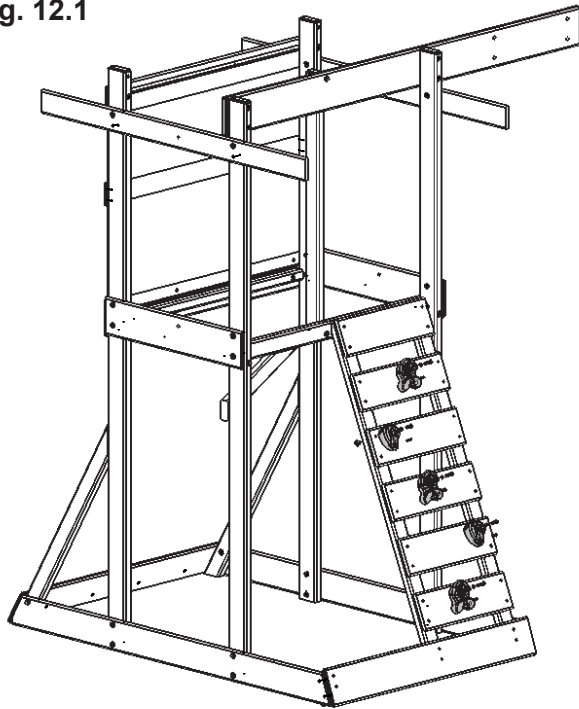
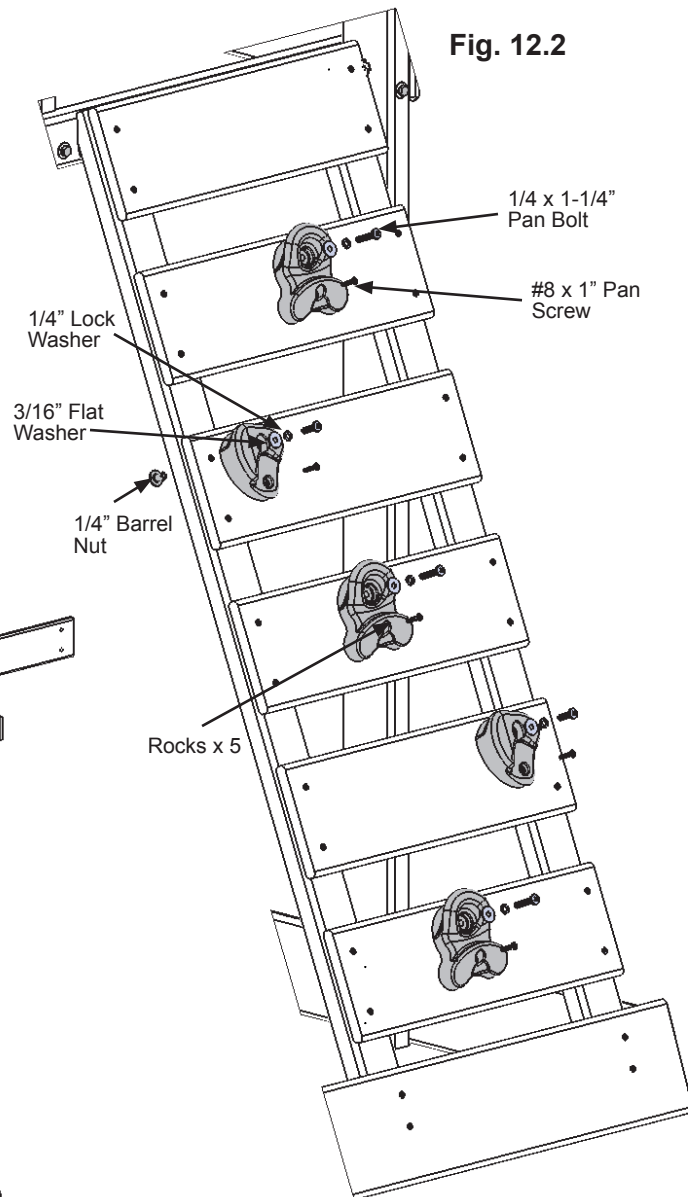


Fig. 12.2



Other Parts

5 x Rocks (Green/Yellow)
(with hardware)

Step 13: Floor Assembly Part 1



A: From inside of the assembly, measure 3-1/8" down from the top of each (2448) SW Floor then attach (1763) Floor Joist to each board with 1 (S3) #8 x 2-1/2" Wood Screw per end. (fig. 13.1 and 13.2)

B: Tight to both (2448) SW Walls install 1 (1774) CE Gap Board to each end of the assembly attaching to (1764) Floor Front, (1761) Side Joist and (1763) Floor Joist using 5 (S2) #8 x 1-1/2" Wood Screws per board. Make sure the boards are tight to (2463) Floor Back. (fig. 13.1 and 13.2)

C: Install (1780) Centre Board to (1764) Floor Front, (1761) Side Joist and (1763) Floor Joist using 5 (S2) #8 x 1-1/2" Wood Screws. Make sure the board is tight to (2463) Floor Back and the gap fits around (1747) Centre Divider. (fig. 13.1 and 13.2)

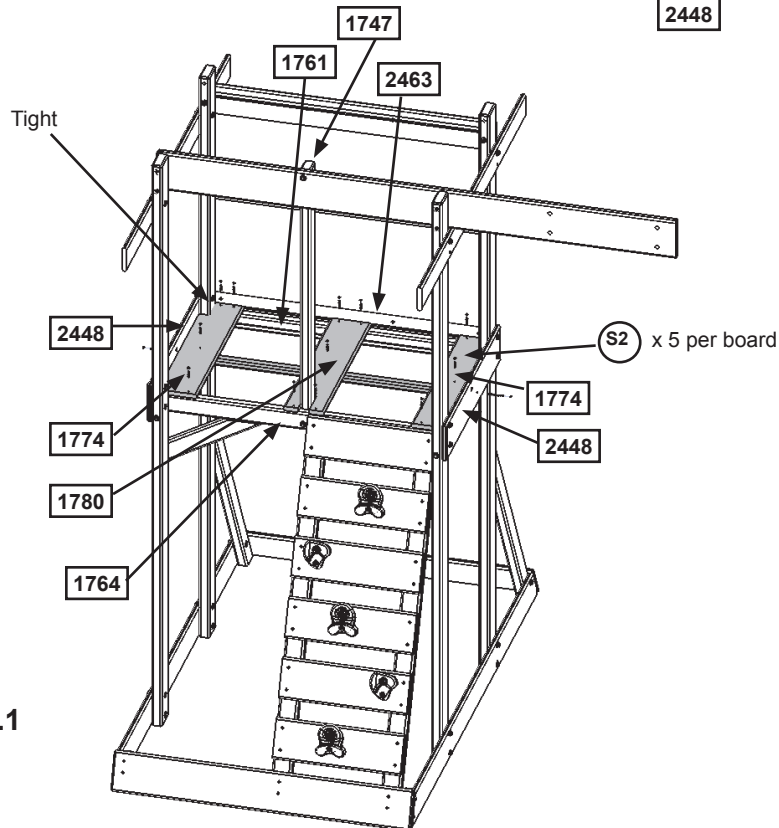
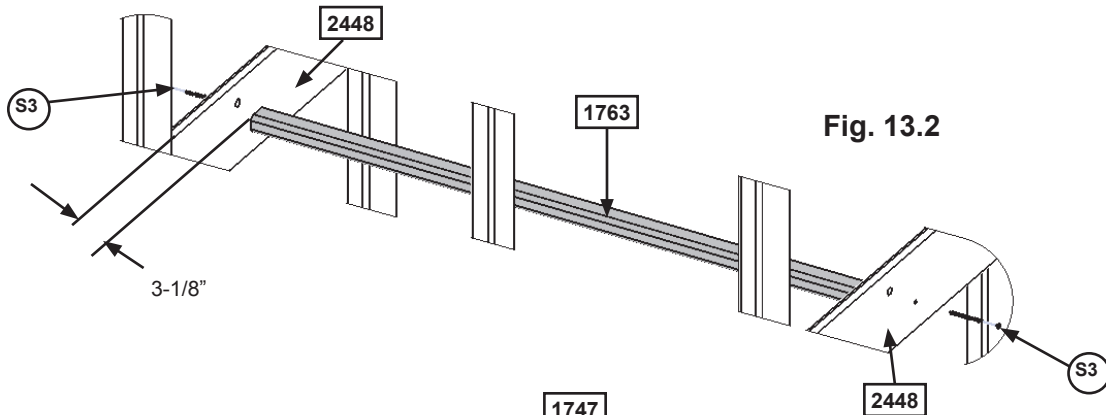


Fig. 13.1

Wood Parts

- 1 x 1763 Floor Joist 5/4 x 2 x 38-1/2"
- 1 x 1780 Centre Board 1 x 6 x 23-1/2"
- 2 x 1774 CE Gap Board 1 x 6 x 23-1/2"

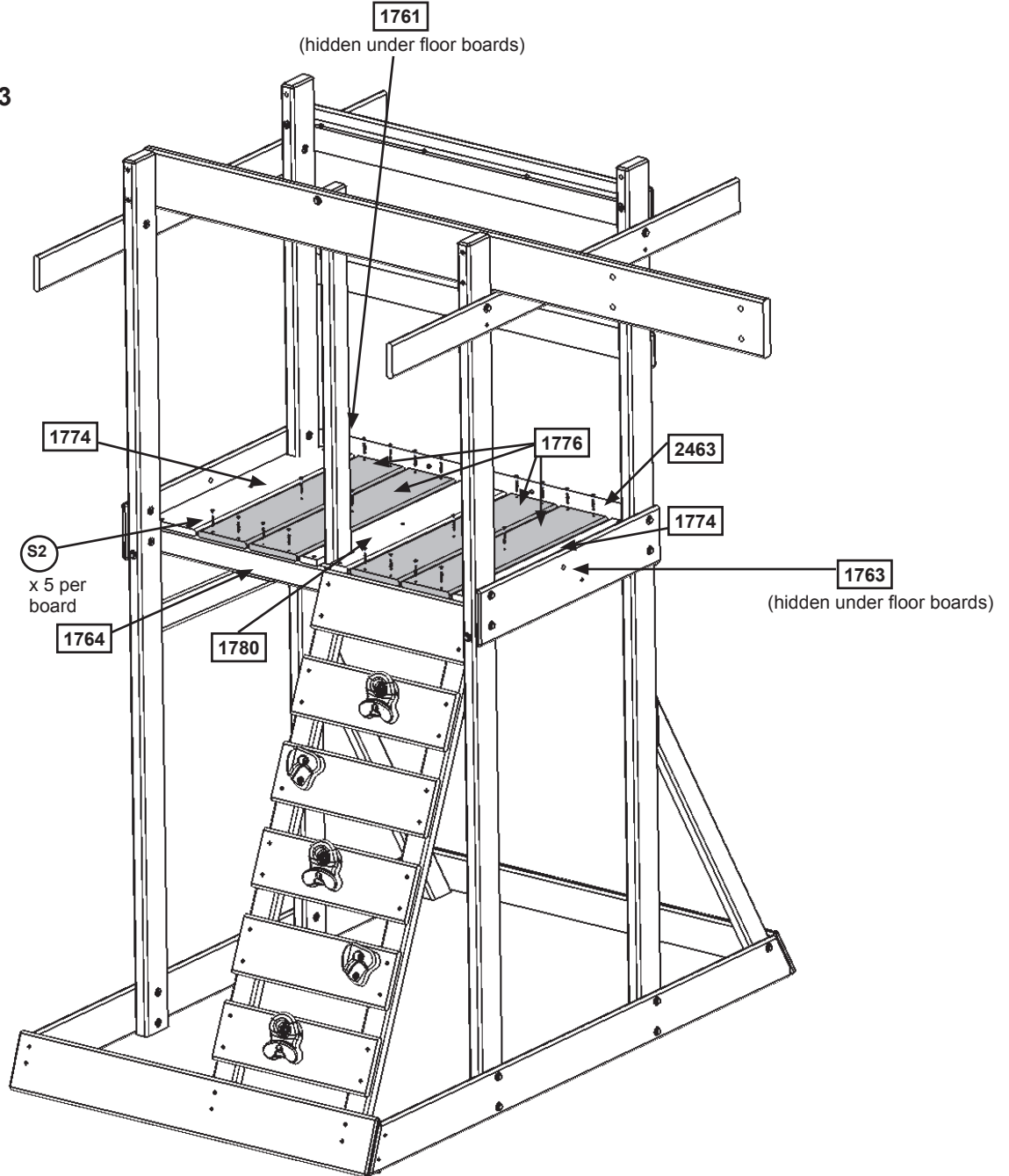
Hardware

- 15 x S2 #8 x 1-1/2" Wood Screw
- 2 x S3 #8 x 2-1/2" Wood Screw

Step 13: Floor Assembly Part 2

D: In between (1774) CE Gap Boards and (1780) Center Board place 4 (1776) Floor Boards making sure all boards are evenly spaced. Attach to (1764) Floor Front, (1761) Side Joist and (1763) Floor Joist using 5 (S2) #8 x 1-1/2" Wood Screws per board. (fig. 13.3)

Fig. 13.3



Wood Parts

4 x 1776 Floor Board 1 x 6 x 23-1/2"

Hardware

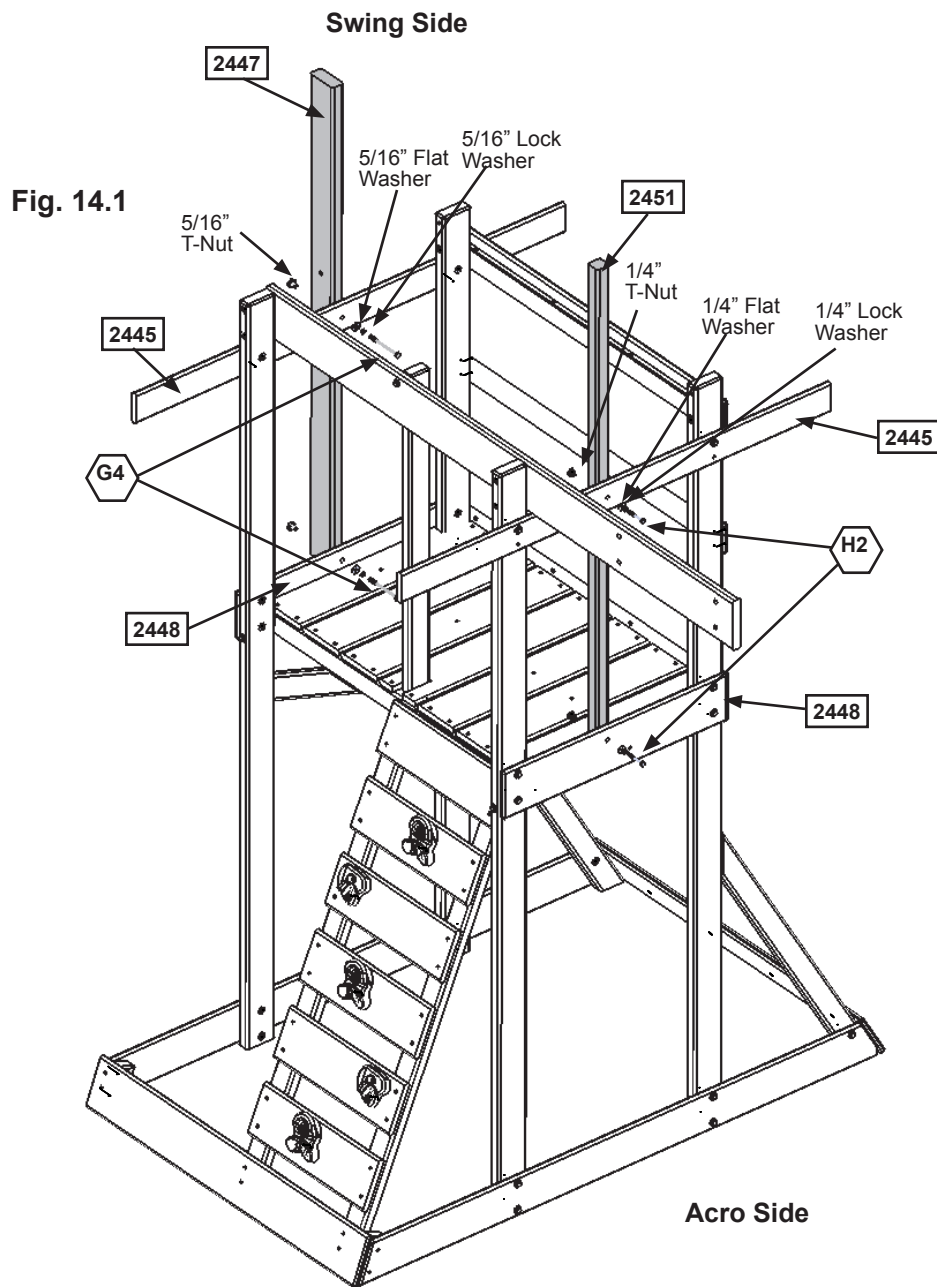
20 x S2 #8 x 1-1/2" Wood Screw

Step 14: Attach Roof Supports to Fort



A: From inside the assembly, on the Acro Side, attach (2451) Tarp Support to (2445) Side Top and (2448) SW Floor with 2 (H2) 1/4 x 2" Hex Bolts (with lock washer, flat washer and t-nut). The support should be tight to the floor boards. (fig 14.1)

B: From outside the assembly, on the Swing Side, attach (2447) SW Mount to (2445) Side Top and (2448) SW Floor with 2 (G4) 5/16 x 4" Hex Bolt (with lock washer, flat washer and t-nut). Bolts are to be installed from inside the assembly. (fig. 14.1)



Wood Parts

- 1 x **2447** SW Mount 2 x 4 x 53-3/4"
- 1 x **2451** Tarp Support 2 x 2 x 53-1/8"

Hardware

- 2 x **H2** 1/4 x 2" Hex Bolt (1/4" lock washer, 1/4" flat washer, 1/4" t-nut)
- 2 x **G4** 5/16 x 4" Hex Bolt (5/16" lock washer, 5/16" flat washer, 5/16" t-nut)

Step 15: Attach SL Spacer to Fort

A: On the Front of the assembly, tight to (1779) CE Access Board and flush to the top of the floor boards, attach (1782) SL Spacer to (1761) Side Joist with 4 (S3) #8 x 2-1/2" Wood Screws. (fig 15.1 and 15.2)

Fig. 15.1

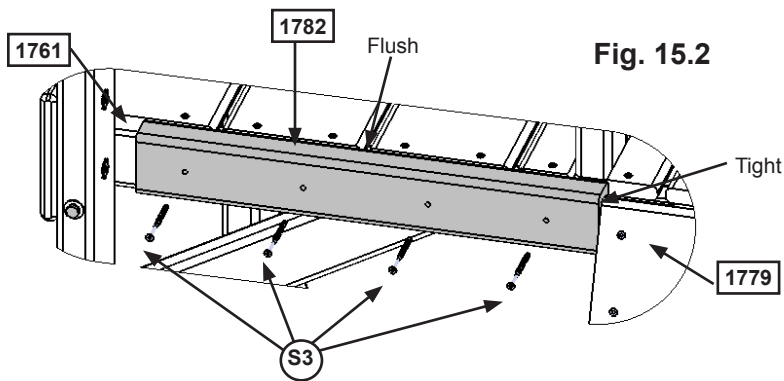
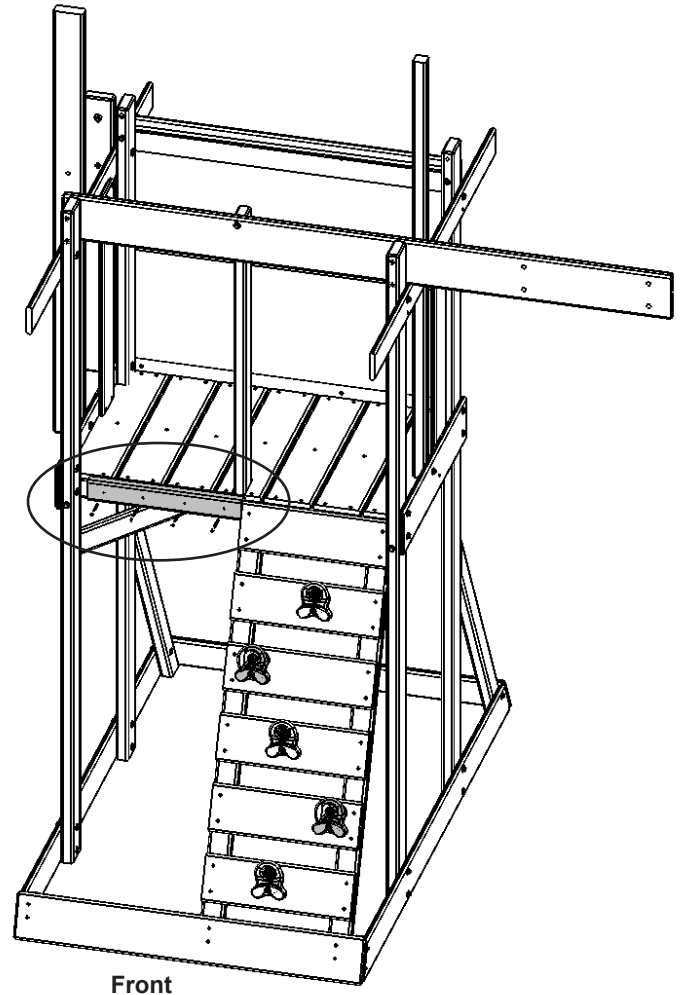


Fig. 15.2

Wood Parts

1 x 1782 SL Spacer 2 x 3 x 17-5/8"

Hardware

4 x S3 #8 x 2-1/2" Wood Screw

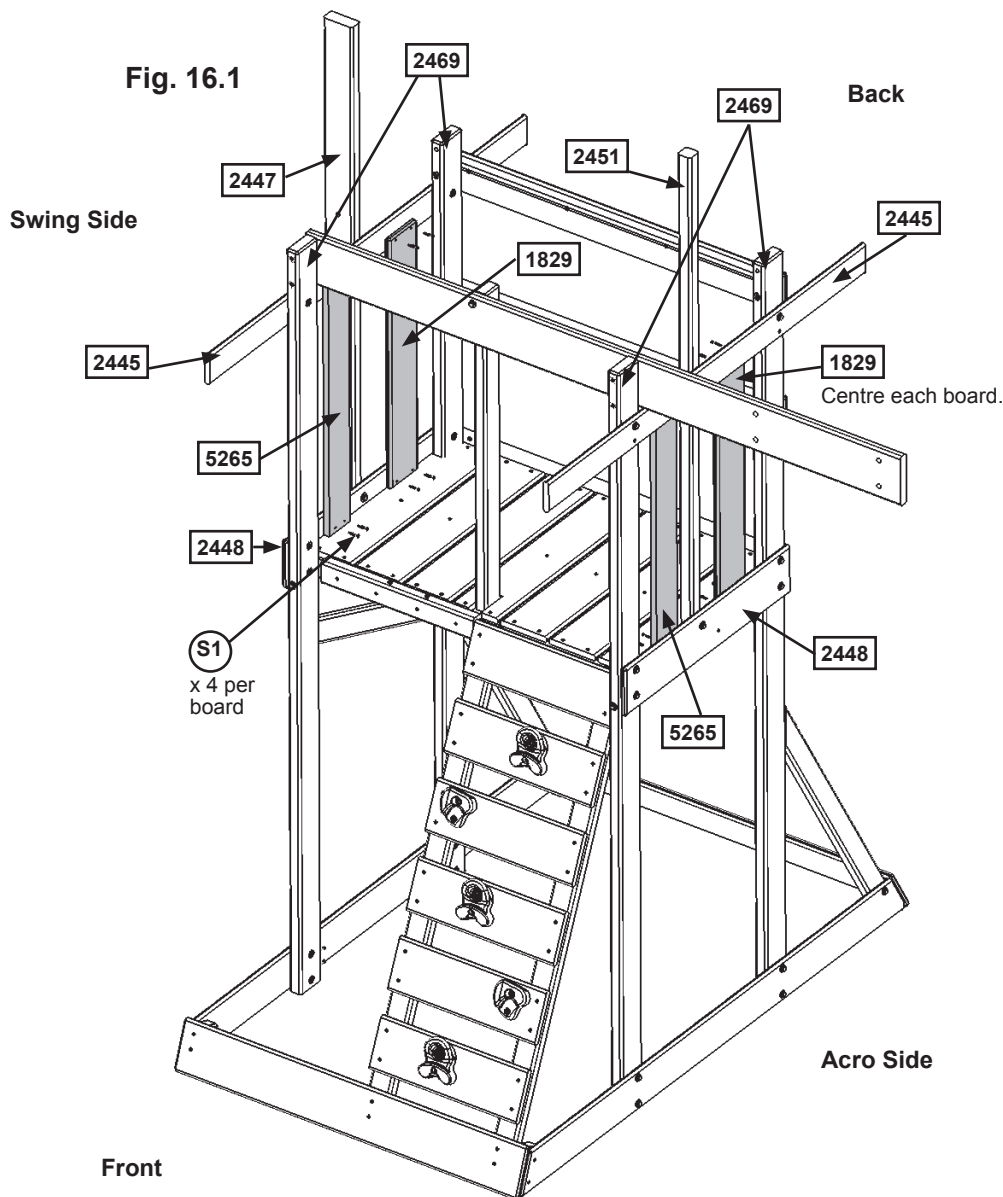
Step 16: Attach Wall Boards to Fort

A: On the Acro Side centre 1 (1829) Cedar Wall between (2451) Tarp Support and (2469) Post on the Back side and attach to (2445) Side Top and (2448) SW Floor with 4 (S1) #8 x 1-1/8" Wood Screws. (fig 16.1)

B: On the Acro Side centre 1 (5265) Cedar Wall between (2451) Tarp Support and (2469) Post on the Front side and attach to (2445) Side Top and (2448) SW Floor with 4 (S1) #8 x 1-1/8" Wood Screws. (fig 16.1)

C: On the Swing Side centre 1 (1829) Cedar Wall between (2447) SW Mount and (2469) Post on the Back side and attach to (2445) Side Top and (2448) SW Floor with 4 (S1) #8 x 1-1/8" Wood Screws. (fig 16.1)

D: On the Swing Side centre 1 (5265) Cedar Wall between (2447) SW Mount and (2469) Post on the Front side and attach to (2445) Side Top and (2448) SW Floor with 4 (S1) #8 x 1-1/8" Wood Screws. (fig 16.1)



Wood Parts

2 x 1829 Cedar Wall 1 x 5 x 28"

2 x 5265 Cedar Wall 1 x 4 x 28"

Hardware

16 x (S1) #8 x 1-1/8" Wood Screw

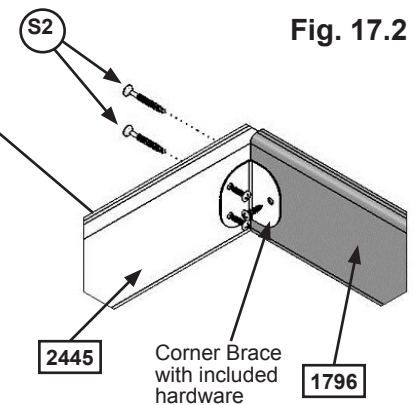
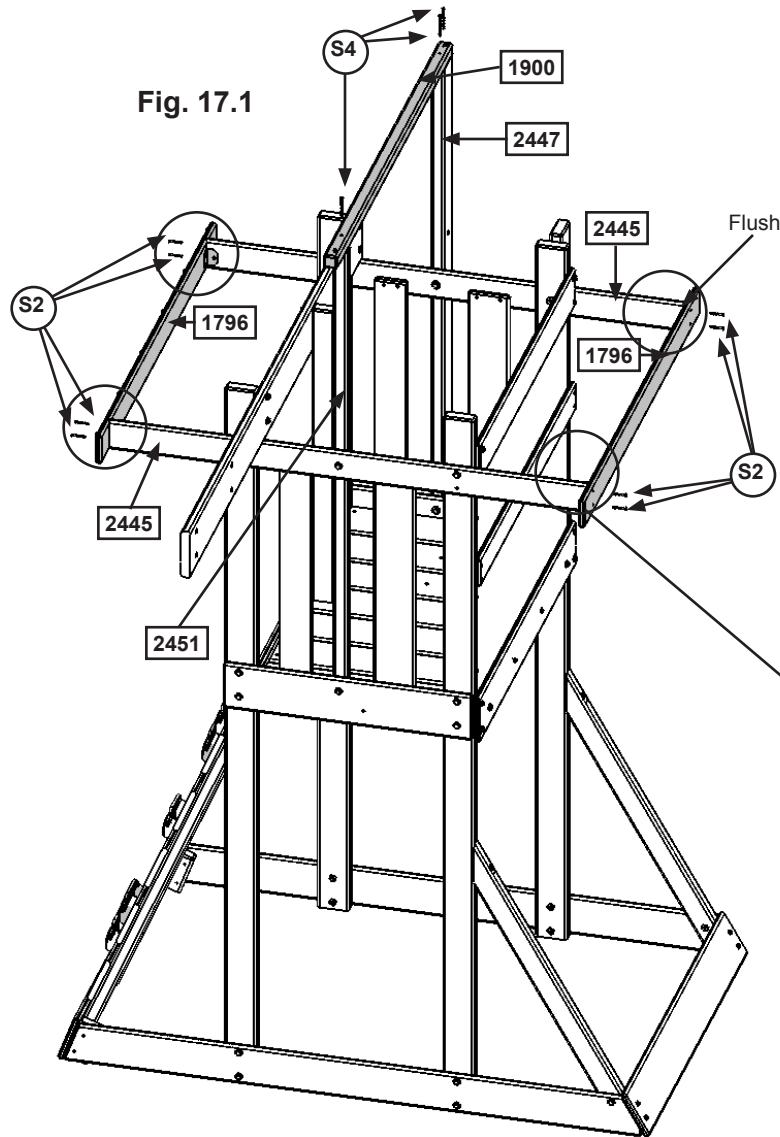
Step 17: Roof Frame Assembly



A: Pre-drill pilot holes for the screws using a 1/8" drill bit, centred on the ends of each (2445) Side Top, then attach (1796) Top Ends to each (2445) Side Top with 4 (S2) #8 x 1-1/2" Wood Screws per board. Make sure the top of (1796) Top Ends are flush to the tops of each of (2445) Side Top. (fig. 17.1)

B: At all 4 corners attach 1 Corner Brace using 3 (S5) #8 x 1/2" Pan Screw per brace as shown in fig.17.1 and 17.2.

C: Attach (1900) Ridge flush to the end of (2447) SW Mount with 2 (S4) #8 x 3" Wood Screws and to (2451) Tarp Support with 1 (S4) #8 x 3" Wood Screws as shown in fig. 17.1.



Wood Parts

- 2 x 1796 Top End 1 x 4 x 46-1/2"
- 1 x 1900 Ridge 2 x 2 x 46-3/4"

Hardware

- 3 x S4 #8 x 3" Wood Screw
- 8 x S2 #8 x 1-1/2" Wood Screw

Other Parts

- 4 x Corner Brace (with hardware)

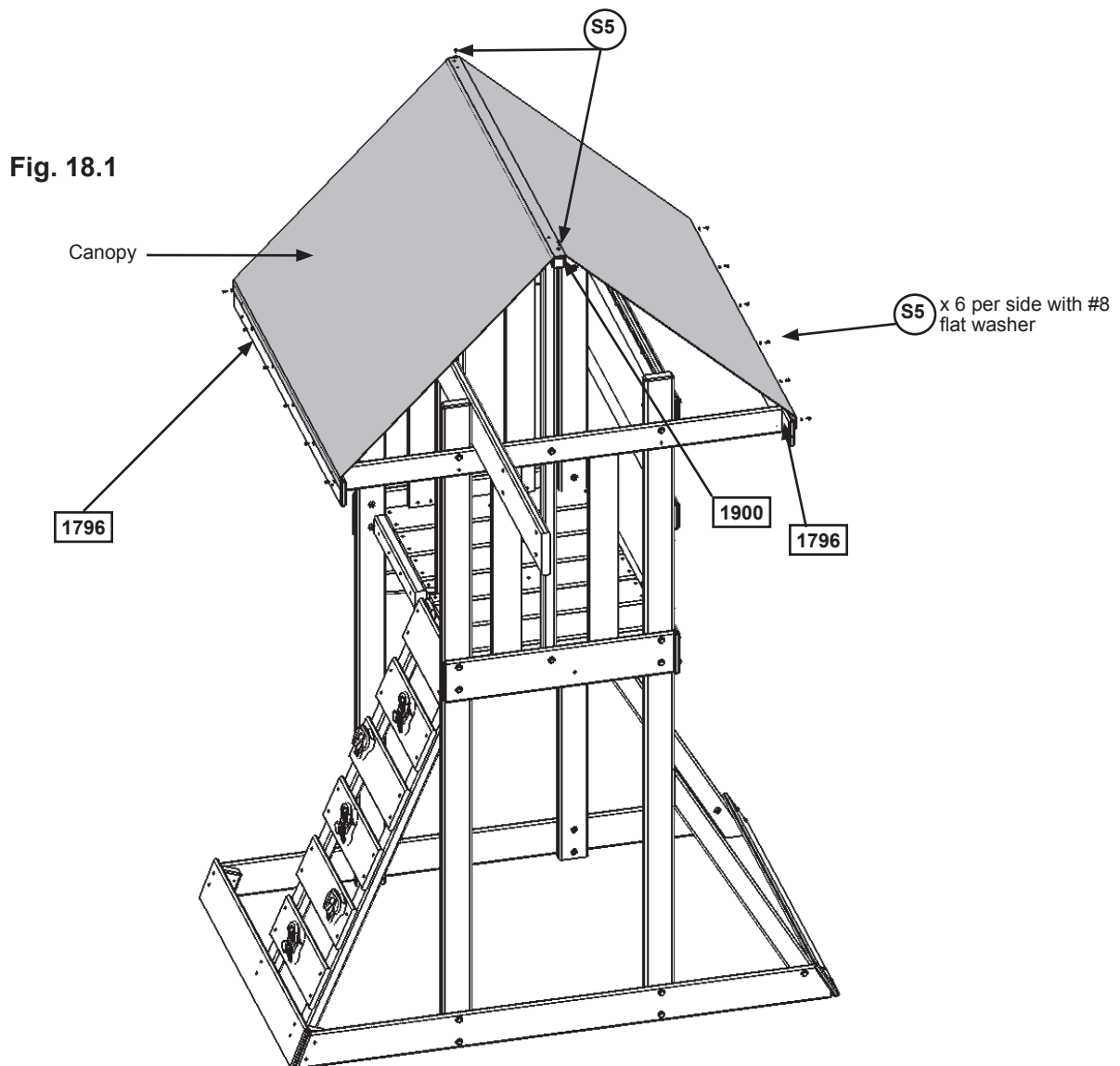
Step 18: Attach Canopy to Roof Frame

A: Place Canopy over (1900) Ridge making sure bottom edges of tarp are even on both sides of assembly. (fig. 18.1)

B: Secure one side by attaching Canopy to 1 (1796) Top End using 6 evenly spaced (S5) #8 x 1/2" Pan Screws (with #8 flat washer). Make sure the screws are 1/2" in from the edge of the canopy. (fig. 18.1)

C: Make sure the canopy is smooth and tight then secure opposite end of canopy to the other (1796) Top End using 6 evenly spaced (S5) #8 x 1/2" Pan Screws (with #8 flat washer). Make sure the screws are 1/2" in from the edge of the canopy. (fig. 18.1)

D: Attach canopy to (1900) Ridge with 1 (S5) #8 x 1/2" Pan Screws (with #8 flat washer) at each end. (fig. 18.1)



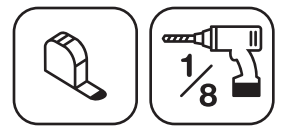
Hardware

14 x  #8 x 1/2" Pan Screw (with #8 flat washer)

Other Parts

1 x Canopy

Step 19: Attach Slide and Acro Swing to Fort (Slide sold separately)



Note: Pre-drill all holes using a 1/8" drill bit before installing the pan screws.

A: On the front of the assembly place Slide in the centre between (2469) Post and (1747) Centre Divider, flush to the inside edge of (1782) SL Spacer. (fig. 19.1 and 19.2)

B: Attach slide to (1782) SL Spacer using 3 (S7) #12 x 2" Pan Screws. (fig. 19.2 and 19.3)

C: Attach Acro Swing to the end of (2444) Acro Top making sure the knot is tight and secure. The spacing between the Acro Swing and (2444) Acro Top should be no less than 10". (fig. 19.1 and 19.4)

D: Secure the Acro Swing ropes with 2 Cable Ties per rope. Be sure to trim the Cable Tie excess and round off any sharp edges. (fig. 19.4)

Fig. 19.2

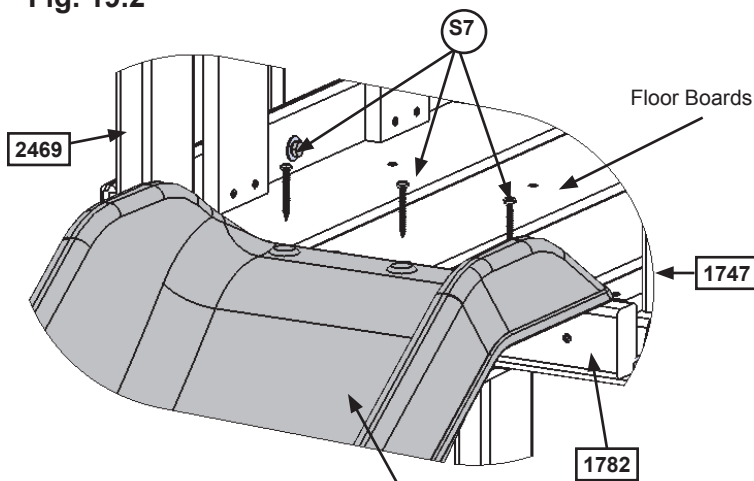


Fig. 19.3

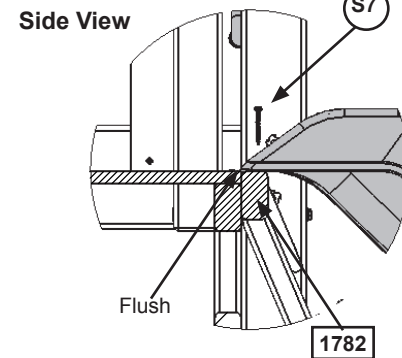


Fig. 19.1

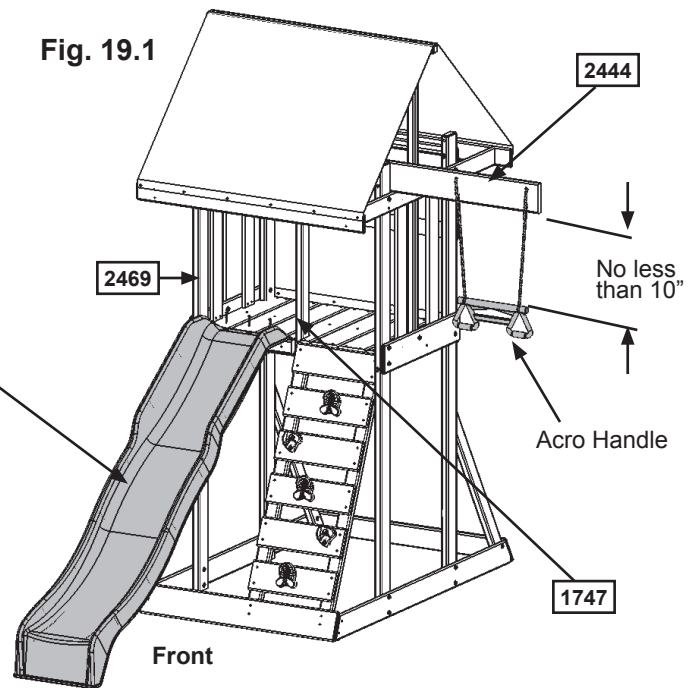
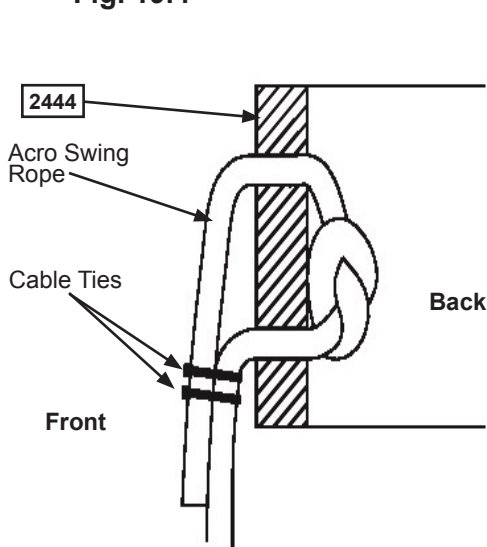


Fig. 19.4



Hardware

3 x (S7) #12 x 2" Pan Screw

Other Parts

- 1 x Slide (sold separately)
- 1 x Acro Handle
- 4 x Cable Ties

Step 20: Attach Ground Stakes



MOVE FORT TO FINAL LOCATION. FINAL LOCATION MUST BE LEVEL GROUND



Warning! To prevent tipping and avoid potential injury, stakes must be driven 10-1/2" into ground. Digging or driving stakes can be dangerous if you do not check first for underground wiring, cables or gas lines.

A: Drive 3 (0318) Ground Stakes 10-1/2" into the ground against (1792) Lower Side at 3 (2469) Posts as shown in fig. 20.1. Attach using 2 (S3) #8 x 2-1/2" Wood Screws per ground stake. (fig. 20.1 and 20.2)

B: Inspect for open 3/8" holes. Insert Hole Plugs into all unused holes. (fig. 20.3)

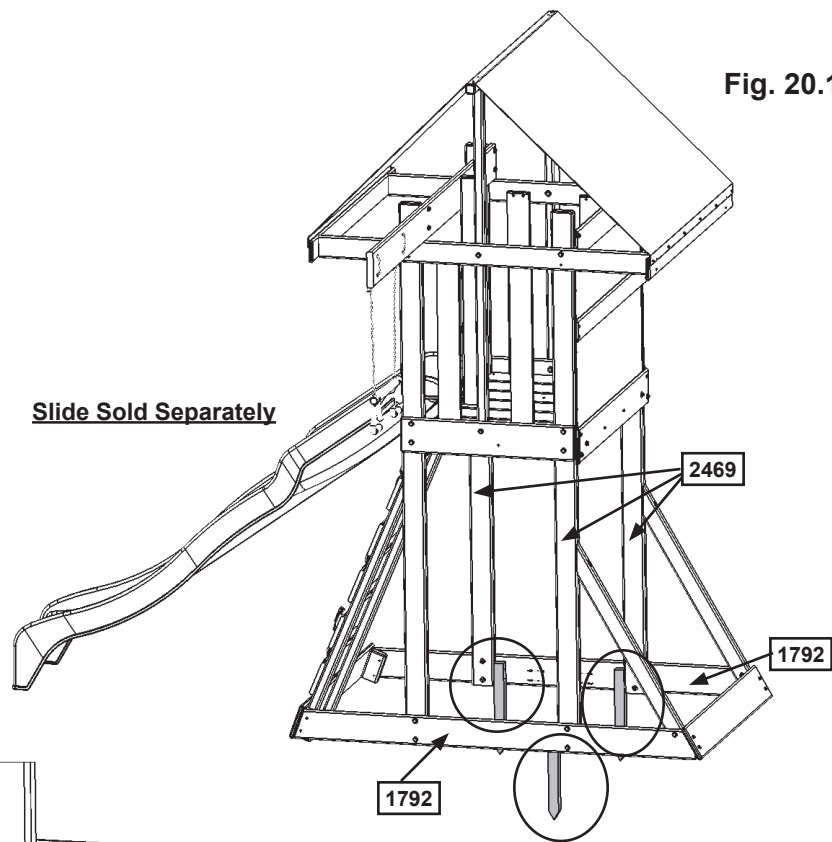


Fig. 20.1

Fig. 20.2

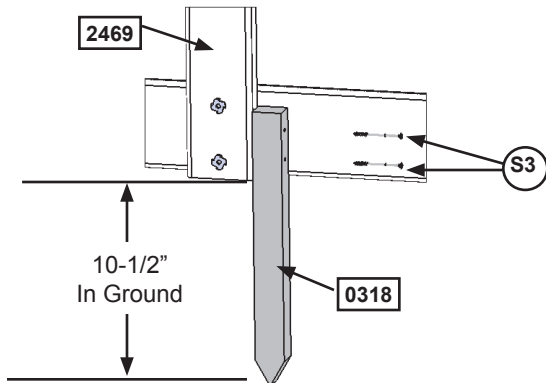
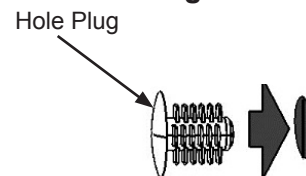


Fig. 20.3



Wood Parts

3 x 0318 Ground Stake 1-1/4 x 1-1/2 x 14"

Hardware

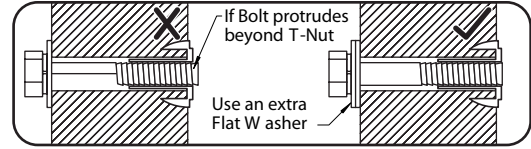
6 x S3 #8 x 2-1/2" Wood Screw

Other

Hole Plugs

Step 21: Attach SW Spacer to Fort

Warning! Check entire play centre for bolts protruding beyond T-Nuts. Use extra washers to eliminate this condition.



A: From inside the assembly, tight to the top of (2448) SW Floor attach (2467) SW Spacer to (2447) SW Mount with 2 (S2) #8 x 1-1/2" Wood Screws. (fig. 21.1 and 21.2)

Fig. 21.1

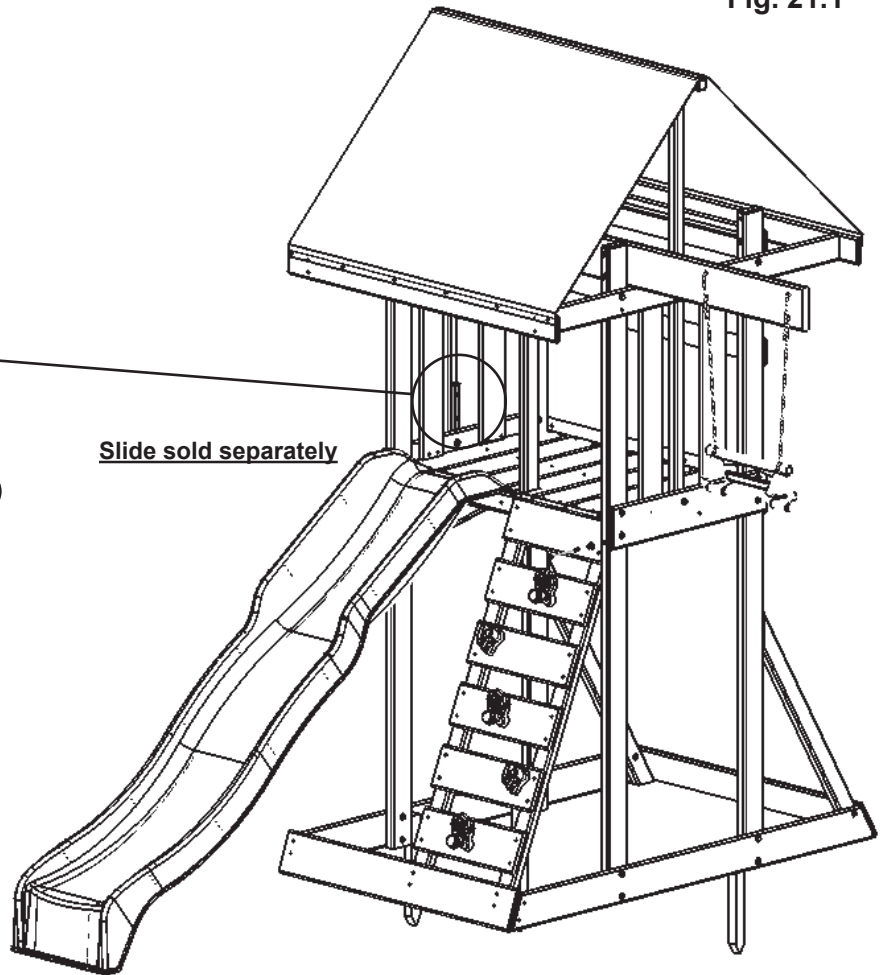
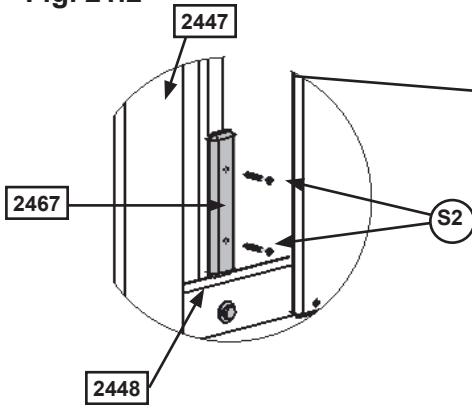


Fig. 21.2

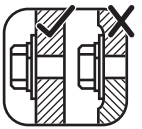


Wood Parts

1 x **2467** SW Spacer 1 x 2 x 6"

Hardware

2 x **S2** #8 x 1-1/2" Wood Screw

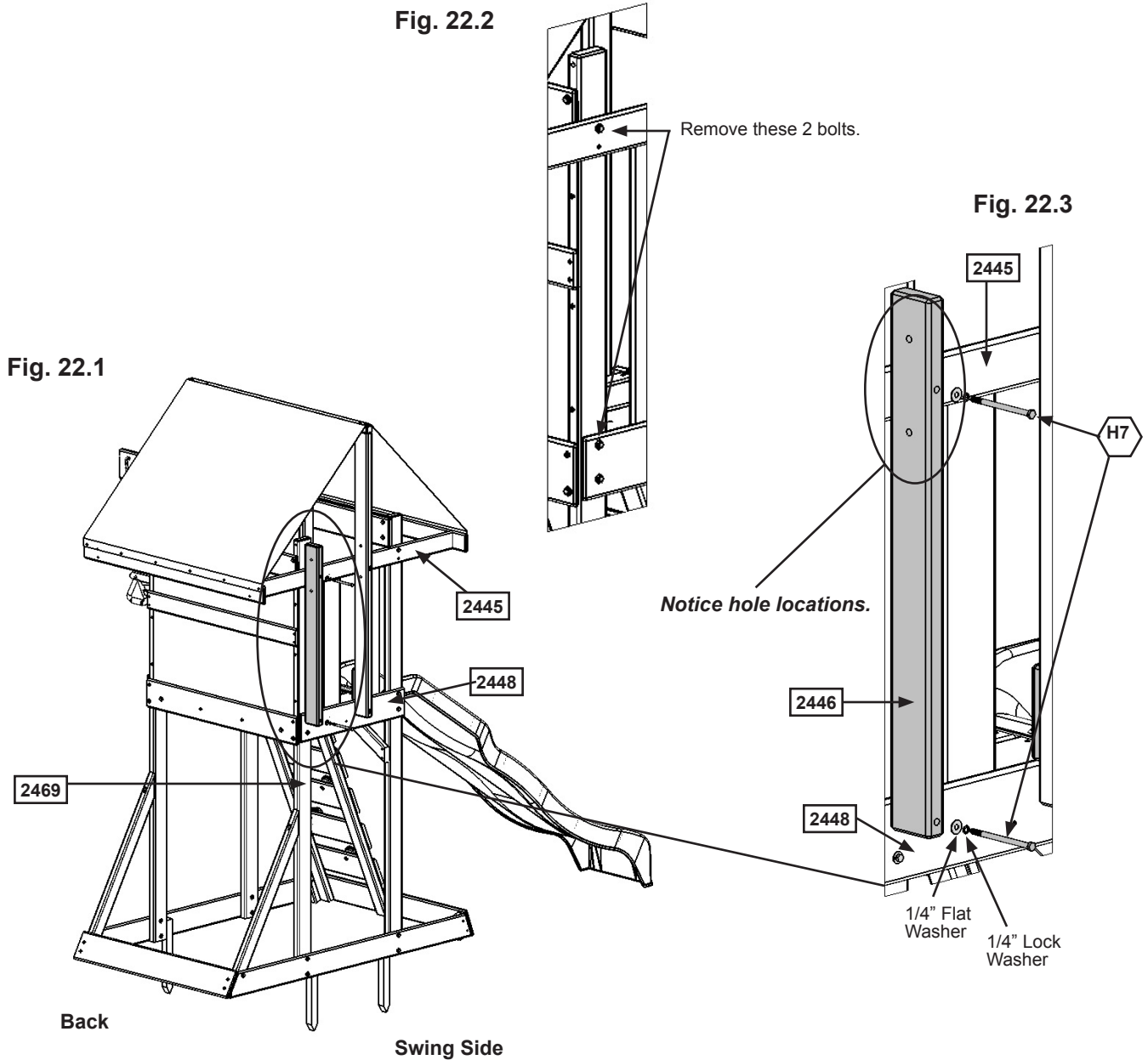


Step 22: Optional SW Mount Installation

If you have purchased a 2- or 3-Position Monkey Ladder Swing to add to your fort complete this step. If you have purchased 3-Position Swing II, refer to that manual.

A: On the Back of the Swing Side remove the 2 (H2) 1/4 x 2" Hex Bolts (with lock washer and flat washer) which attach the (2445) Side Top and (2448) SW Floor to the (2469) Post. The t-nuts can be left in. (fig 22.1 and 22.2)

B: Place (2446) SW Mount over the bolt holes, noticing the holes on the sides are towards the top of the board, and attach with 2 (H7) 1/4 x 5-1/2" Hex Bolts (with previously removed lock washer and flat washer). (fig. 22.1 and 22.3)



Wood Parts

1 x SW Mount 2 x 4 x 34"

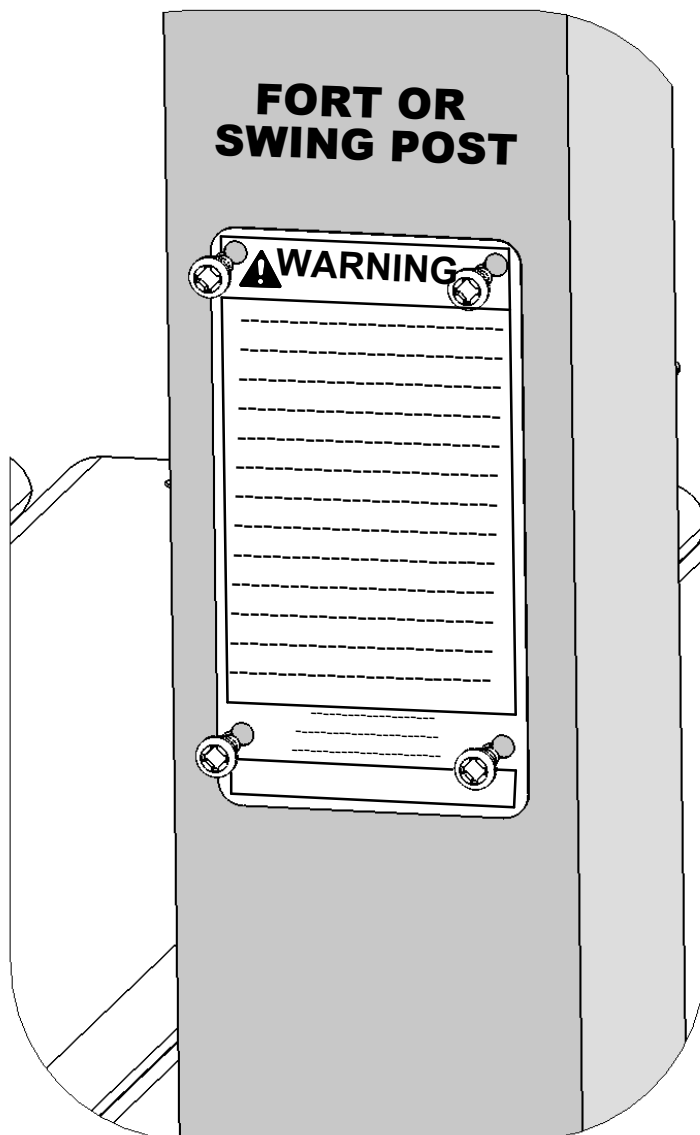
Hardware

2 x 1/4 x 5-1/2" Hex Bolt (previously removed 1/4" lock washer, 1/4" flat washer)

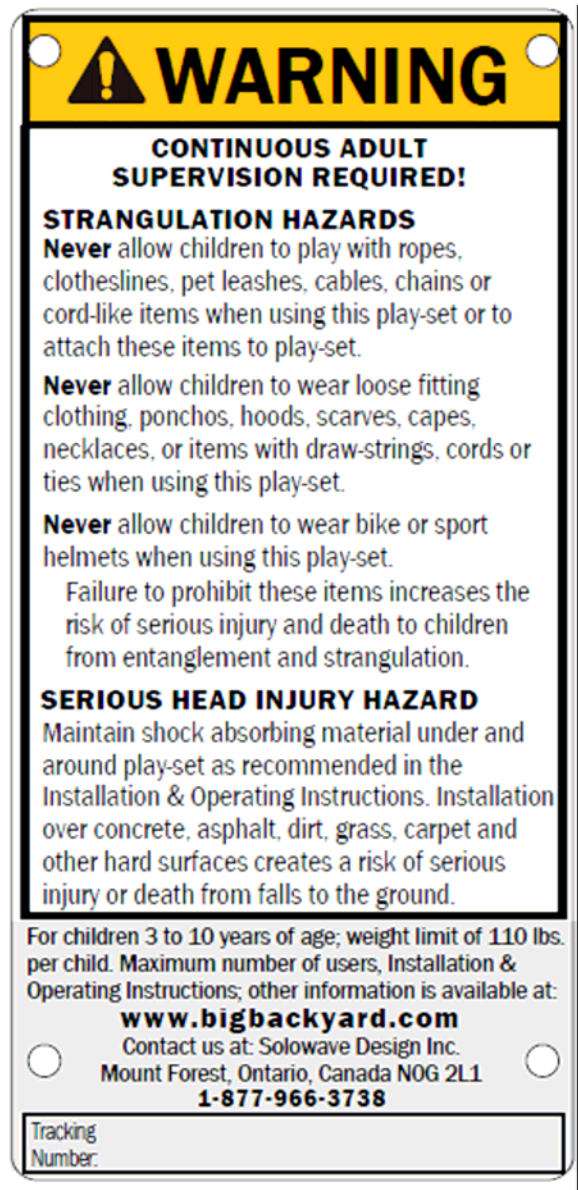
Final Step: Attach I.D. Plaque

ATTACH THIS WARNING & I.D. PLAQUE TO A PROMINENT LOCATION ON YOUR PLAY EQUIPMENT! (Fort or Swing Post)

This provides warnings concerning safety and important contact information. A Tracking Number is provided to allow you to get critical information or order replacement parts for this specific model.



Attach with screws provided to a location on your set that is easily seen and read by a supervising adult.



NOTES

Swingset review

Register your Product Online

To register yourself as the original purchaser of this Selwood Products Swingset / Climbing Frame, please take a few moments to complete the short registration form that will be found online at:

www.selwoodproducts.com/warranty-registration

Rate and Review Your Product

Swingset review is an independent review site established to enable purchasers and users of swingsets, playsets, climbing frames, jungle gyms to review the products they buy. Your review can assist future purchasers to make an educated purchase based on your experiences.

Enabling potential purchasers to benefit from other peoples positive and negative experiences in the swingset market is a key aim of Swingset Review. Free communication, posting and reading of reviews providing an easy to use platform to ensure the complication is taken away from purchasing a swingset wherever you live in the world.

If you've got something great to shout about your Swingset then do it on our site, or if you've got a moan then make it known. Your Swingset purchase experience will assist others in making an informed choice.

www.swingsetreview.com

