



MADE IN
VÄRNAMO
SWEDEN

Tiny®

by Separett®



Tiny with urine container art.no. 1270-01

User manual | Användarmanual | Käyttöopas | Brukerhåndbok
Bedienungsanleitung | Mode d'emploi | Manual de usuario



Dear customer,

Thank you for choosing a product from Separett and congratulations on your new toilet!

At Separett, we have been developing toilet solutions that are not limited by the availability of either water or sewage systems for over 40 years, with the vision of contributing to a higher quality of life for the many.

Today, our toilet solutions make the lives of hundreds of thousands of people easier, all over the world. It is very important to us that the toilet solution you have chosen is of a high quality, has a high degree of reliability, and requires minimal maintenance.

We hope that you enjoy your new product, while at the same time saving our planet loads of water.

Welcome to the Separett family

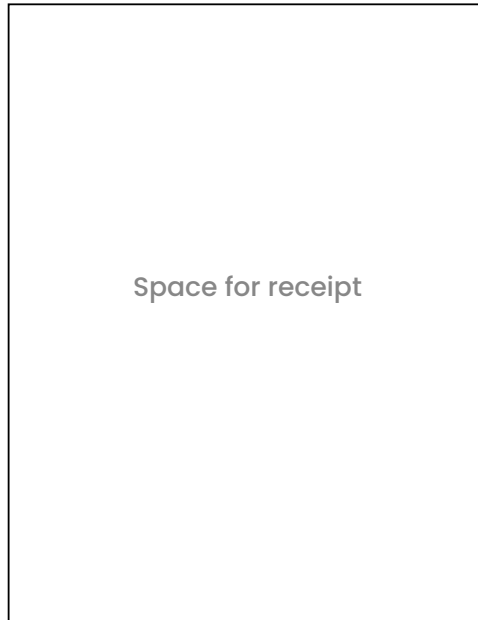
Separett[®]
Waterless toilets

Warranty

This product has a 5-year warranty for manufacturing and/or material defects.

However, this warranty does not apply to normal wear and tear, incorrect use or maintenance, or if the customer has damaged or altered the product in some way. If you have any questions regarding spare parts or warranty, please contact your nearest Separett dealer, which you can find at www.separett.com.

Keep your receipt



You will find the current warranty terms at www.separett.com

Content

Warranty	4
Important safety instructions	6
Technical data	8
Use	10
Waste handling	13
Troubleshooting	15
Accessories	16
Contact Us	17



Important safety instructions

IMPORTANT SAFETY INSTRUCTIONS

READ THE INSTRUCTIONS CAREFULLY BEFORE USE. THE MANUFACTURER IS NOT RESPONSIBLE FOR ANY PERSONAL INJURY OR OTHER DAMAGES ARISING AS A RESULT OF FAULTY INSTALLATION OR IMPROPER USE. SPARE THE USER MANUAL FOR FUTURE NEEDS!

Safety

This product can be used by children and people with impaired physical, sensory or mental capacity, as well as people with a lack of experience and knowledge of the product, provided that they are monitored or instructed on how to use the product safely and understand the risks that are associated with improper use.

- Toilet packaging and packing materials are not toys. Keep packing material out of reach for children and dispose of it properly.

WARNING! Do not use the toilet if it is damaged or not working properly.

Ensure the functioning of the toilet by regularly checking the following:

1. That the urine container is correctly positioned
2. That the gaskets are functioning
3. That there is no damage to any load-bearing parts
4. That there is no damage to the cabling

Avoid fire risk & burns

The toilet must only be used in accordance with the user manual. Materials not associated with normal toilet use should not be thrown in the toilet. Ensure that all new users of the toilet receive required information on how to use the toilet safely. The toilet is not adapted for standing or climbing on. Young children or children who cannot safely use the toilet in accordance with this manual should only use the toilet under adult supervision. Do not allow children to play with this product.

Maintenance

Regular maintenance is important to ensure that the toilet functions properly. Check the following during maintenance:

1. That toilet gaskets are intact
2. That the urine container is correctly positioned
3. That the level indicator in the urine container is functioning properly

Avoid electric shocks

1. Never use a damaged power cord or plug, and never run the cord over hot surfaces or hard sharp edges.
2. If the power cord is damaged, it must be replaced by the manufacturer, its service agent or by a professional to avoid danger.

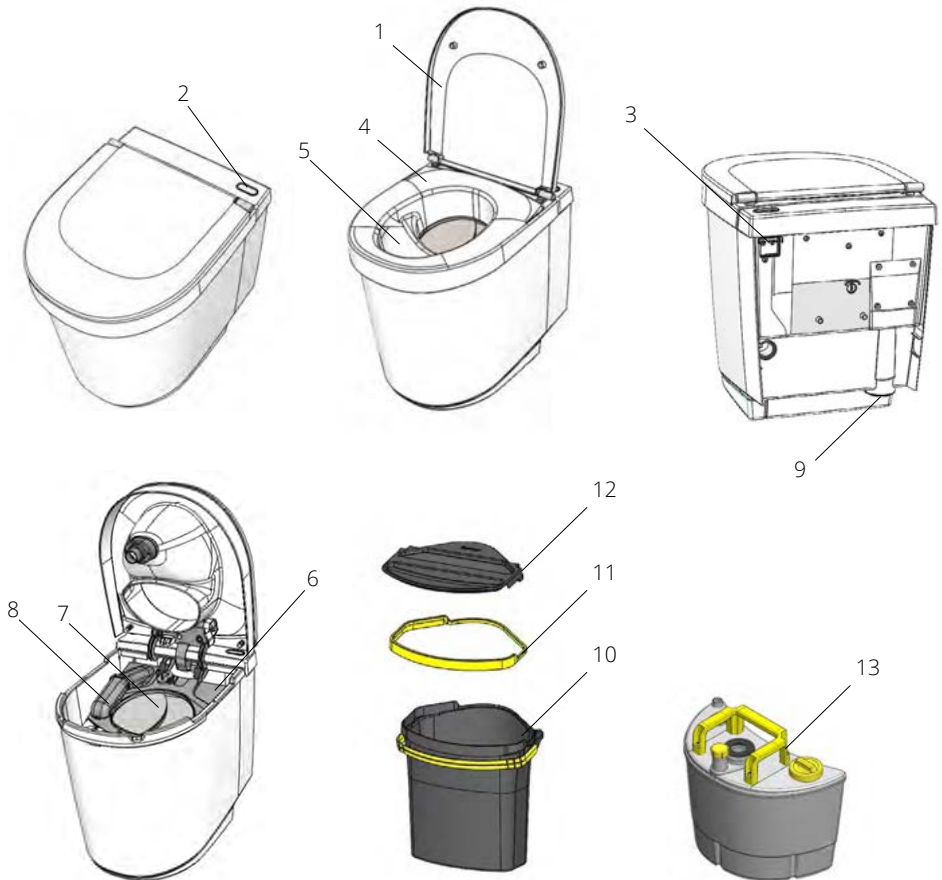
Other

- This product is intended for household use only or for a limited number of people with good knowledge of its proper use. We advise against placing urine-diverting toilets in public restrooms.
- Do not make any changes to the product that will change its specifications.

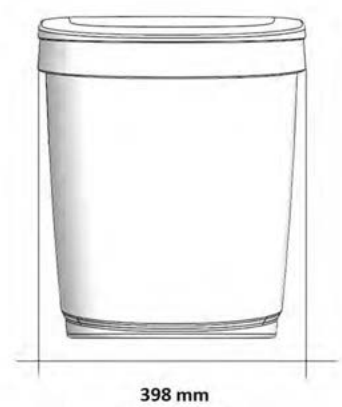
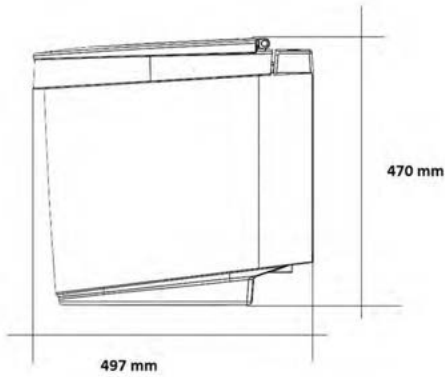
Technical data

Toilet parts

- 1. Lid
- 2. Emptying indicator
- 3. Power connection
- 4. Seat
- 5. Urine bowl
- 6. Inner lid
- 7. Screen
- 8. Fan duct
- 9. Ventilation outlet
- 10. Solid waste container
- 11. Clip-on strip for bag
- 12. Lid for solid waste container
- 13. Urine container



Measurements



Height: 470 mm (18.5")
Length: 497 mm (19.6")
Width: 398 mm (15.7")
Seat height: 440–452 mm (17.3–17.8")

Material

Outer material: High-gloss polypropylene
Inner material: Polyamide and polypropylene
Gaskets: Thermoplastic (TPE)
All materials are recyclable

Weight

8.5 kg (18.7 lbs)

Volume

Urine container: 7,1 L
Solid waste container: 14,5 L

Pipe dimensions

Ventilation pipe: Ø 50 mm (outer diameter)

Electronics

12 V, 1.6 W

Electrical connection

Grid connection: AC adapter 110/240 V–12 V (1.55 m / 5.1 ft)
Low-voltage connection: 12 V battery cable (1.9 m/6.25 ft) with crocodile clips

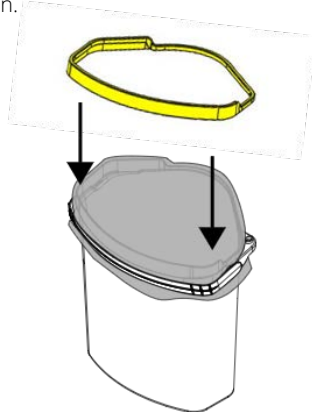
Power consumption

0.04 kwh/day, 14 kwh/year

Use

Before use

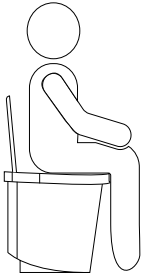
1. Ensure the function of the toilet (see section "Important Safety Instructions")
2. Connect the toilet to a power source (see section "Power supply for toilet")
3. Make sure that the fan is running
4. Place a compostable waste bag for Tiny in the waste container. The bag must always be held in place by the yellow clip-on strip to ensure that the bag is firmly attached and does not risk getting caught in the view screen.



5. Place an Absorb pad at the bottom of the waste bag to soak up excess moisture
6. Place a Bio Drain Cleaner in the basket in the urine bowl for a fresh scent and to keep the urine drain free from sediments

Using the toilet

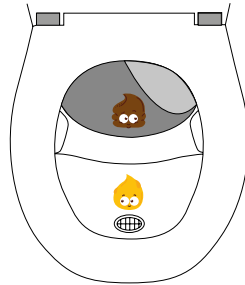
1.



Always sit down when using the toilet

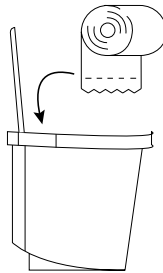
Sit a little further back than usual so that urine and solid waste are separated.

2.



The view screens will slide away when you sit down.

3.



Toilet paper can be thrown in the same bin as the solid waste.



IMPORTANT! Never throw burning or smoldering objects in the toilet!

User instructions can be downloaded at www.separett.com.

Cleaning & Maintenance

Separett Tiny should be cleaned with an environmentally friendly non-abrasive cleaner. This toilet is made of a strong, high-gloss polypropylene material that risks being scratched if an abrasive cleaner or scrubbing plate is used.

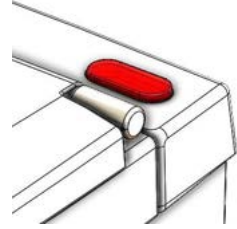
The fan must run continuously to avoid odors in the bathroom. Regularly rinse the filter in the fan duct with water to maintain good ventilation.

Waste handling

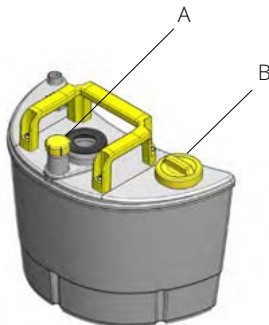
IMPORTANT! Always consult your local environmental office to find out what rules apply for waste management in your municipality. Always follow local regulations.

Emptying of urine container

For full-time use in a household of 2 people, the urine container should be emptied approximately 2–3 times per week. The toilet will signal when the urine container is full by illuminating the logo on the toilet in red. Once the light is on, the toilet can handle 1–2 uses, after which the container must be emptied. Open the top of the toilet to empty the tank. Make sure that the top is locked in its opened position before releasing it. Then follow the steps below:



1. Make sure that the small yellow cap is screwed on tight and then screw the large yellow cap onto the urine container
2. Keep the caps on and lift the container out of the toilet. To facilitate lifting, use the transverse yellow handle on the container when lifting it.
3. Carry the container to the place where it is to be emptied.
4. Unscrew the small cap and keep the large one screwed on.
5. Empty the container by holding it firmly in the handle with one hand while holding the bottom of the container with the other. Now angle the container downwards and empty the contents from the small outlet.
6. When the container is empty, screw the small cap back on and make sure it is secured.
7. Place the container in the toilet again and make sure that it is correctly positioned.
8. Unscrew the large cap of the tank and place it in its designated storage location.
9. To close the top of the toilet, pull the top towards you until the latch releases. Then carefully close the top and make sure it closes correctly. To make sure that the container is correctly positioned, test to see if the upper part springs back when you press down on the front part of the seat. If nothing happens, the container is misplaced.



A. Small cap
B. Large cap

Emptying of solid waste

The solid waste is collected in the waste container which is fitted with a compostable waste bag. For full-time use in a household of 2 people, the solid waste should be emptied approximately after 2 weeks of use. Open the upper part of the toilet to empty the solid waste. Make sure that the top is locked in its opened position before releasing it. Then follow the steps below:

1. Place the included lid on the container.
2. Lift the container by its yellow handle and pull it up out of the toilet.
3. Carry the container to where the waste will be handled.

The solid waste can then be handled in one of the following ways:

Option 1: To be composted directly in an approved compost

Option 2: To be incinerated directly in an approved incinerator

Option 3: Place it in a container and have it standing in "hibernation" for at least 12 months by following the steps below:

A) Place in an appropriate location outdoors in a suitable container with a solid bottom.

B) Fill the container with a layer of soil (approx. 2 cm (0,8")), make sure that the container is properly ventilated so that air circulates in the container.

C) Let sit for 12 months. The bacteria in the soil will break down the harmful organisms in the feces, rendering the waste harmless.

D) After the storage period, the contents can be composted in an ordinary compost, garden compost or buried along with the compostable bio bag.

Troubleshooting

If the indicator lamp for emptying the urine container is not working

If the urine container light does not come on when the tank is full, please check the following:

- Is there power in the wall socket?
- Is the battery/power source supplying the toilet with power?
- Are the connections and cables correctly connected to the back of the toilet?
- Is the plug for the sensor under the toilet correctly connected?

If it smells

A urine-diverting toilet from Separett should, thanks to the well-developed urine diverting and its constant air flow, ensure that the bathroom remains odorless. In the case of odors occurring, please check the following:

- Is the fan running properly? If the fan is not running properly, make sure that:
 1. Power is being supplied by the power source.
 2. The fan plug is properly connected.
 3. The cables on the back are properly connected.
- Is the ventilation grid on the pipe cap clean?
- Is the insect net of the ventilation outlet clean?
- Has the piping been carried out in accordance with the instructions?

Problems with pests in the toilet

Assuming a correct installation and correct use of Separett Tiny, the toilet space should be odor free. This means that the toilet does not need to have any additional material (such as sawdust) added to the waste container*. If you still have problems with pests in the toilet, please check the following:

- Make sure that the insect net is intact and firmly attached to the ventilation
- Check that the ventilation pipe is intact and that its joints are tight and sealed

**Loose additional material also contributes to blockages in filters and can shorten the lifetime of the fan*

Accessories

Supplement with

Urine-diverting child seat

The urine-diverting child seat is a perfect complement to your urine-diverting toilet solution, enabling even the smallest ones to use the toilet.



1101

Ventilation kit

A supplementary ventilation kit that can be used if the installation requires ventilation ducts to be laid higher up and/or further away from the toilet.



1344

Urine tube

With this set a Tiny with urine container can be converted into Tiny with external urine collection.



1343

Consumables

Bio Drain Cleaner 5-pack

Separett Bio Drain Cleaner is a biological tablet that is placed in the basket in the urine bowl of the toilet. The tablet is slowly broken down and the enzymes keep the urine drain free from sediments, which over time risk constricting the flow of the urine. With 2 users, one tablet lasts for 1–2 months. Tablets can be purchased separately in packs of 5.



1118

Compostable Waste Bags, Tiny 10 pcs/20 pcs

The bio bag is specially designed to fit the Separett Tiny waste container. The bag helps to keep the waste container clean and is made of corn starch, which is an environmentally friendly compostable material. For containers up to 14.5 liters.



1337/1338

Absorb Tiny 10-pcs

The Absorb pad is placed in the bottom of the waste bag and is used to soak up any moisture coming from the waste. The cloth helps keep the contents dry and thereby odorless. This product is specially adapted for the Tiny toilet and made from compostable material.



1346

See all articles at www.separett.com

Contact Us

Documentation

This user manual as well as instructional videos are available at any time on our website.

Contact us

If you need help with your toilet, you can find information at any time on our website, where you can also easily submit error notifications. Can't find what you are looking for? Visit "FAQs" on our website to find the answers to the most asked questions. If you do not find an answer to your question, please feel free to contact us:

Global

Website: www.separett.com
Email: info@separett.com
Phone: +46 (0)370-307200

USA

Website: www.separett.us
Email: contact.us@separett.com
Phone: +1(800) 975-6740



Separett AB



@separettwaterlesstoilets



Separett Sverige



Separett AB



Bästa Kund,

Tack för att ni valt en produkt från Separett och grattis till er nya toalett!

I över 40 år har vi på Separett utvecklat toalettlösningar som inte begränsas av tillgången på varken vatten eller avlopp med visionen att bidra till en högre livskvalitet för de många.

Idag förenklar våra toalettlösningar livet för hundratusentals människor över hela världen. För oss är det oerhört viktigt att toalettlösningen du har valt är av hög kvalitet, har en hög grad av tillförlitlighet och kräver minimalt underhåll.

Välkommen till Separett-familjen

Separett[®]
Waterless toilets

Garanti

Denna produkt har 5 års garanti för fabrikations och/eller materialfel.

Dock gäller inte garantin för normalt slitage, felaktig användning eller skötsel, samt om kunden har orsakat skada eller ingrepp i produkten. Om du har frågor om reservdelar eller garanti, ber vi dig kontakta Separett eller Separett's återförsäljare, se lista på www.separett.com.

Spara ditt kvitto



Du hittar gällande garantivillkor på www.separett.com

Innehåll

Garanti	4
Viktiga säkerhetsinstruktioner	6
Teknisk data	8
Användning	10
Efterhantering	13
Felsökning	15
Tillbehör	16
Kontakta oss	17



Viktiga säkerhetsinstruktioner

VIKTIGA SÄKERHETSINSTRUKTIONER

LÄS INSTRUKTIONERNA NOGGRANT FÖRE ANVÄNDNING. TILLVERKAREN ÄR INTE ANSVARIG FÖR EVENTUELLA PERSONSKADOR ELLER ANDRA SKADOR SOM UPPKOMMIT SOM ETT RESULTAT AV FELAKTIG INSTALLATION ELLER FELAKTIG ANVÄNDNING. SPARA ANVÄNDARMANUALEN FÖR FRAMTIDA BEHOV!

Säkerhet

Denna produkt kan användas av barn och av personer med nedsatt fysisk, sensorisk eller mental förmåga, samt personer med bristande erfarenhet och kunskap om produkten, förutsatt att de övervakas eller instrueras beträffande hur produkten används på ett säkert sätt och förstår de risker som är förknippade med felaktig användning.

• Toalettens emballage och packmaterial är inga leksaker. Håll packmaterial utom räckhåll för barn och kassera på lämpligt sätt.

WARNING! Använd inte toaletten om den är skadad eller inte fungerar korrekt.

Säkerställ toalettens funktion genom att regelbundet kontrollera följande:

1. Att urintanken är rätt placerad
2. Att packningar är fungerande
3. Att inga skador förekommer på bärande delar
4. Att inga skador finns på kablage

Undvika brandrisk/brännskador

Toaletten ska användas i enlighet med användarmanualen. Inget material som inte är kopplat till ett toalettbesök ska slängas i toaletten. Tillse att alla nya användare av toaletten får den information som krävs för att använda toaletten på ett säkert sätt. Toaletten är inte anpassad för att stå eller klättras på. Små barn eller barn som inte på ett säkert sätt kan använda toaletten i enlighet med denna manual ska alltid bruka toaletten med vuxnas tillsyn. Låt inte barn leka med produkten.

Underhåll

Kontinuerligt underhåll är viktigt för att säkerställa toalettens funktion. Kontrollera följande vid underhåll:

1. Att toalettens packningar är hela
2. Att urintanken sitter korrekt placerad
3. Att nivåindikationen i urintanken fungerar

Undvika elektriska stötar

1. Använd aldrig en skadad strömsladd eller kontakt och låt aldrig sladden löpa över varma eller vassa ytor.
2. Om nätsladden är skadad måste den bytas av tillverkaren, dess serviceagent eller motsvarande kvalificerad person för att undvika fara.

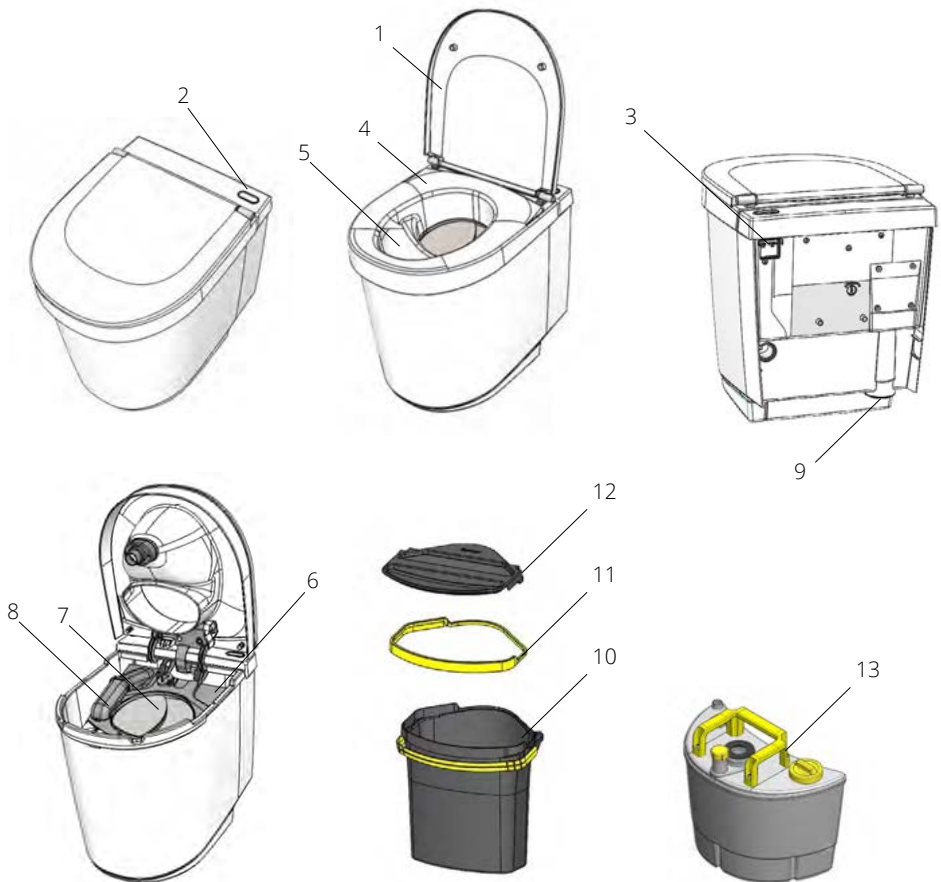
Övrigt

- Denna produkt är endast avsedd för användning i hushåll eller för ett begränsat antal människor med god kunskap om en korrekt användning. Vi avråder från att placera urinseparerande toaletter i offentlig miljö.
- Genomför inga förändringar av produkten som förändrar produktens specifikationer.

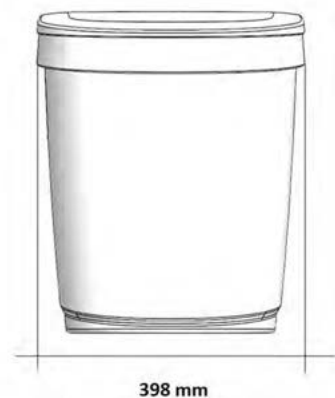
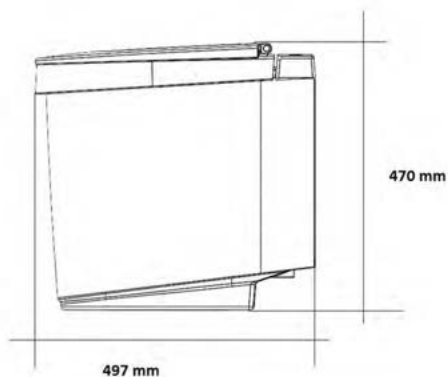
Teknisk data

Toalettens delar

1. Lock
2. Tömningsindikator
3. Strömanslutning
4. Sits
5. Urinskål
6. Inre lock
7. Insynsskydd
8. Fläktkanal
9. Ventilationsutlopp
10. Avfallsbehållare
11. Klämlist till påse
12. Lock till avfallsbehållare
13. Urintank



Mått



Höjd: 470 mm (18,5")
Längd: 497 mm (19,6")
Bredd: 398 mm (15,7")
Sitthöjd: 440 – 452 mm (17,3–17,8")

Material

Yttre Material: Högglass polypropen
Inre material: Polyamid och polypropen
Packningar: Termoplast (TPE)
Samtliga material är återvinningsbara

Vikt

8,5 kg

Volym

Urintank: 7,1 L
Avfallsbehållare: 14,5 L

Rördimensioner

Ventilationsrör: Ø 50 mm (yttermått)

Elektronik

12V, 1,6W

Elanslutning

Nätanslutning: Nätadapter 110/240V-12V (1,55 m/5,1 ft)
Lågspänningsanslutning: 12V batterikablage (1,9 m/6,25 ft) med krokodilklemmor

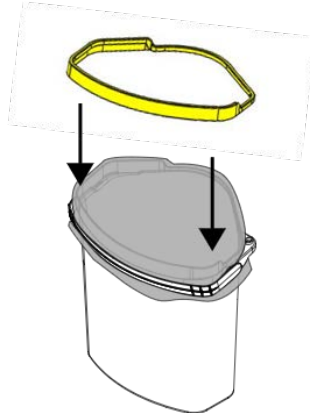
Energiförbrukning

0,04 kwh/dygn, 14 kwh/år

Användning

Innan användning

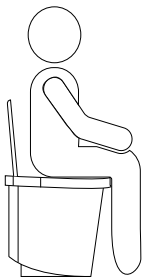
1. Säkerställ toalettens funktion (se avsnitt "Viktiga Säkerhetsinstruktioner")
2. Koppla in toaletten till en spänningskälla (se avsnitt "Strömsätt toaletten")
3. Kontrollera att fläkten fungerar
4. Placera en komposterbar biosäck för Tiny i avfallsbehållaren. Påsen ska alltid hållas på plats av den gula klämlisten för att säkerställa att påsen sitter fast ordentligt och inte riskerar att fastna i insynsskyddet.



5. Placera med fördel en Absorberingsduk i botten av avfallspåsen för uppsugning av eventuell fukt
6. Placera med fördel en Avloppsrens i urinskålen för fräsch doft samt för att hålla urinavloppet fritt från avlagringar

Så här använder du toaletten

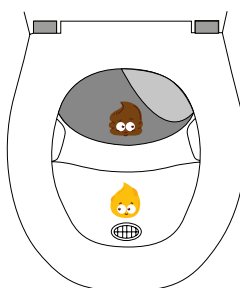
1.



Använd **alltid** toaletten sittandes.

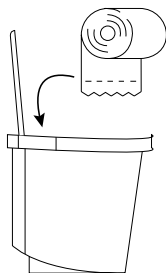
*Sitt lite längre bak än vanligt så att urin
och fast avfall separeras.*

2.



När du sätter dig ner svänger
insynsskyddet undan.

3.



Toalettpappret kan slängas i samma
fack som det fasta avfallet.



OBS! Kasta aldrig brinnande eller glödande föremål i toaletten!

Användaranvisningar finns även att ladda ned på www.seprett.com.

Rengöring & Underhåll

Separett Tiny bör rengöras med ett miljövänligt, icke-slipande rengöringsmedel. Toaletten är tillverkad av ett kraftfullt, högblankt polypropenmaterial som riskerar att repas med ett slipande rengöringsmedel eller skurplatta.

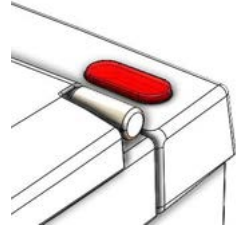
Fläkten ska gå kontinuerligt för att undvika lukt i toalettutrymmet. Skölj av filtret i fläktkanalen med vatten med jämna mellanrum för att bibehålla bra ventilation.

Efterhantering

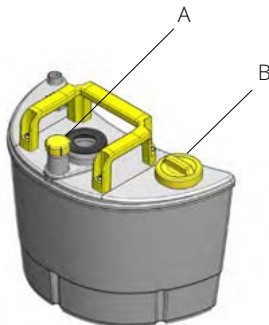
OBS! Fråga alltid miljökontoret vilka regler som gäller för avfallshantering i din kommun. Följ alltid lokala föreskrifter.

Tömning av urintank

Vid heltidsanvändning i ett hushåll på 2 personer töms urintanken cirka 2–3 gånger per vecka. Toaletten meddelar när urintanken är full genom att logotypen på toaletten tänds upp i röd färg. Efter att lampan tänts klarar toaletten 1–2 användningar, sedan måste tanken tömmas. För att tömma tanken öppnas toalettens överdel. Tillse att överdelen har låst sig i öppet läge innan du släpper den. Följ sedan stegen nedan:



1. Tillse att den lilla korken sitter säkert på tanken och skruva sedan på den stora korken på urintanken
2. Behåll korken på och lyft ur tanken ur toaletten. För enklaste lyft använd tankens tvärställda handtag när den lyfts ur.
3. Bär tanken till den plats där den ska tömmas.
4. Skruva av tankens lilla kork och behåll den stora korken kvar på tanken.
5. Töm tanken genom att hålla den i ett fast grepp i handtaget med ena handen och andra handen på tankens undersida. Vinkla nu tanken och töm innehållet från det lilla utloppet.
6. När tanken är tom, skruva tillbaka den lilla korken och tillse att det sitter säkert på plats.
7. Placera tanken åter i toaletten, tillse att tanken hamnar rätt placerad i toaletten.
8. Skruva loss tankens stora kork och placera det på avsedd förvaringsplats.
9. För att stänga toalettens överdel, dra överdelen mot dig tills spärren släpper. Stäng därefter försiktigt överdelen och tillse att den stängs korrekt. För att testa att tanken är rätt placerad, testa om överdelen fjädrar när du trycker på sitsens främre parti. Är det stumt är tanken felplacerad.



*A = Lilla korken
B = Stora korken*

Tömning fast avfall

Det fasta avfallet samlas upp i avfallsbehållaren som är iklädd en komposterbar biosäck. Vid heltidsanvändning av ett hushåll på 2 personer töms det fasta avfallet cirka 1 gång varannan vecka. För att tömma det fasta avfallet öppnas toalettens överdel. Tillse att överdelen har låst sig i öppet läge innan du släpper den. Följ sedan stegen nedan:

1. Placera medföljande lock på behållaren.
2. Lyfta upp behållaren i handtaget och dra upp behållaren från toaletten.
3. Bär behållaren till vald efterhanteringsplats

Det fasta avfallet kan därefter hanteras på något av följande sätt:

Alternativ 1

Komposteras direkt i godkänd latrinkompost

Alternativ 2

Förbränns direkt i godkänd förbränningsugn

Alternativ 3

Placera behållaren med avfallet i "dvala" under minst 12 månader genom att följa stegen nedan:

- A) Ställ på lämplig plats utomhus i en passande behållare med tät botten.
- B) Fyll behållaren med ett jordlager (ca 2cm), tillse att behållaren är ventilerad så att luft kommer in.
- C) Låt stå i 12 månader. Jordbakterierna bryter ned de skadliga organismerna i avföringen, på så sätt blir avfallet harmlöst.
- D) Efter förvaringstiden kan innehållet komposteras i en vanlig kompost, trädgårdskompost eller grävas ned tillsammans med den komposterbara biosäcken.

Felsökning

Om inte lampan lyser

Om lampan för urintanken inte tänds när tanken är full kan följande kontrolleras:

- Finns det spänning i vägguttaget?
- Ger batteriet/strömkällan spänning till toaletten?
- Sitter anslutning och kablar korrekt på toalettens baksida?
- Sitter kontakten för sensorn på toalettens undersida på rätt sätt?

Om det luktar

En urinseparerande toalett från Separett ska, tack vare den väl utvecklade urinseparationen och dess konstanta luftflöde, tillse att badrummet är doftfritt. Skulle dofter uppstå kontrollera följande:

- Fungerar fläkten? Om fläkten ej fungerar, säkerställ att:
 1. Spänning kommer från spänningskällan.
 2. Fläktkontakten sitter i ordentligt.
 3. Kablaget på baksidan sitter korrekt.
- Är ventilationsgallret rent?
- Är gallret vid ventilationens utlopp rent?
- Följer rördragningen anvisningarna?

Problem med insekter i toaletten

Med korrekt installation samt korrekt användning av Separett Tiny så ska toalettutrymmet vara doftfritt. Detta betyder att toaletten ej behöver något tilläggsmaterial (såsom exempelvis sågspån) i avfallsbehållaren. Om du ändå får problem med insekter i toaletten, kontrollera följande:

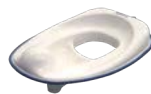
- Tillse att insektsnätet sitter fast ordentligt på ventilationen
- Kontrollera att ventilationsröret är helt och har täta skarvar

Tillbehör

Komplettera med

Urinseparerande barnsits

Den urinseparerande barnsitsen är ett perfekt komplement till din urinseparerande toalettösning som möjliggör att även de minsta kan använda toaletten.



1101

Ventilationssats

Kompletterande ventilationssats som används om installationen kräver ventilationsdragning högre upp och/eller längre ifrån toaletten.



1344

Urinledning

Tiny med urintank kan konverteras till Tiny med extern uppsamling av urinen, om så önskas, med denna urinledning.



1343

Förbrukningsartiklar

Avloppsrens 5-pack

Separett Avloppsrens är en biologisk tablett som läggs i urinskålen på din Villa-toalett, den bryts sakta ned och enzymerna håller urinavloppet fritt från avlagringar som med tiden riskerar att stoppa flödet.



1118

Komposterbara Biosäckar Tiny 10-pack/20-pack

Biosäcken är speciellt utformad för att passa avfallsbehållaren i Separett Tiny. Säcken hjälper till att hålla avfallsbehållaren ren och är gjord av majsstärkelse vilket är ett miljövänligt komposterbart material. För behållare upp till 14,5 liter.



1337/1338

Absorberingsduk Tiny 10-pack

Absorberingsduken till Tiny placeras i botten av latrinsäcken och används för uppsugning av eventuell fukt från avfallet. Duken hjälper till att hålla innehållet torrt och därmed luktfritt. Denna produkt är särskilt anpassad för toaletten Tiny och gjord av komposterbart material.



1346

Se alla artiklar på www.separett.com

Kontakta oss

Dokumentation

Denna användarmanual och instruktionsfilmer finns tillgängliga dygnet runt på vår hemsida tillsammans med alla avsnitt som har hänvisats till i denna manual.

Kontakta oss

Om ni behöver hjälp med er toalett så hittar ni information dygnet runt på vår hemsida och där kan ni även enkelt göra en felanmälan. Hittar du inte vad du söker? Besök "Frågor & svar" på vår hemsida, där finns svaren på de vanligaste frågorna. Om du inte hittar svaret på din fråga får du gärna kontakta oss

Hemsida: www.separett.com

Mail: info@separett.com

Telefon: 0370 - 30 72 00





Hyvä asiakas,

Kiitos, että valitsit Separett-tuotteen, ja onnittelut uudesta käymälästäsi!

Visionamme on osallistua ihmisten elämänlaadun parantamiseen. Tämän mukaisesti olemme Separettilla kehittäneet jo yli 40 vuoden ajan käymäläratkaisuja, joiden toiminta ei vaadi vettä tai viemärintiä.

Käymäläratkaisumme yksinkertaistavat satojen tuhansien ihmisten elämää ympäri maailman. Meille on erittäin tärkeää, että valitsemasi käymäläratkaisu on korkealaatuinen, erittäin luotettava ja helppokäyttöinen.

Toivomme, että uudesta tuotteesta on sinulle iloa samalla kun säästät planeettamme vesivarjoja.

Tervetuloa Separett-perheeseen

Separett[®]
Waterless toilets

Takuu

Tällä tuotteella on 5 vuoden takuu, joka kattaa valmistus- ja/tai materiaaliviat.

Takuu ei kuitenkaan kata normaalia kulumista, väärää käyttöä tai hoitoa, tai jos asiakas on aiheuttanut vahingon tai muokannut tuotetta. Jos sinulla on kysymyksiä varaosista tai takuuehdoista, pyydämme sinua ottamaan yhteyttä lähimpään Separett-jälleenmyyjään, katso luettelo osoitteesta www.separett.com.

Säästä kuittisi



Löydät voimassa olevat takuuehdot osoitteesta www.separett.com.

Sisältö

Takuu	4
Tärkeitä turvallisuusohjeita	6
Tekniset tiedot	8
Käyttö	10
Jälkikäsittely	13
Vianmääritys	15
Lisätarvikkeet	16
Ota yhteyttä	17



Tärkeitä turvallisuusohjeita

TÄRKEITÄ TURVALLISUUSOHJEITA

LUE OHJEET HUOLELLISESTI ENNEN KÄYTTÖÄ. VALMISTAJA EI OLE VASTUUS-
SA MISTÄÄN HENKILÖVAHINGOISTA TAI MUISTA VAHINGOISTA, JOTKA OVAT
SYNTYNEET VIRHEELLISEN ASENNUKSEN TAI VIRHEELLISEN KÄYTÖN SEU-
RAUKSENA. SÄÄSTÄ KÄYTTÖOPAS TULEVIA TARPEITA VARTEN!

Turvallisuus

Tätä tuotetta voivat käyttää lapset ja ihmiset, joilla on heikentynyt fyysinen, aistimellinen tai henkinen toimintakyky sekä henkilöt, joilla ei ole kokemusta ja tietoa tuotteesta, edellyttäen, että heitä valvotaan tai opastetaan tuotteen turvallisessa käytössä ja ymmärretään riskit, jotka liittyvät sen väärinkäyttöön.

• Käymälän pakkaus ja pakkausmateriaalit eivät ole leluja. Pidä pakkausmateriaali poissa lasten ulottuvilta ja hävitä se asianmukaisesti.

VAROITUS! Älä käytä käymälää, jos se on vaurioitunut tai ei toimi kunnolla.

Varmista käymälän toiminta tarkistamalla säännöllisesti seuraavat asiat:

1. Virtsa säiliö on sijoitettu oikein
2. Tiivisteet ovat ehjät
3. Kantavissa osissa ei ole vahinkoja
4. Kaapeloinnissa ei ole vaurioita

Vältä palovaaraa/palovammoja

Käymälää on käytettävä käyttöoppaan mukaisesti. Materiaalia, joka ei liity käymäläkäyntiin, ei tule laittaa käymälään. Varmista, että kaikki uudet käymälän käyttäjät saavat tarvittavat tiedot käymälän turvallisesta käytöstä. Käymälä ei sovellu sillä seisomiseen tai kiipeilyyn. Pienten lasten tai lasten, jotka eivät voi käyttää käymälää turvallisesti tämän käyttöohjeen mukaisesti, tulisi käyttää käymälää aina aikuisten valvonnassa. Älä anna lasten leikkiä tuotteella.

Ylläpito

Jatkuva ylläpito on tärkeää käymälän toimivuuden varmistamiseksi. Tarkista seuraavat seikat:

1. Käymälän tiivisteet ovat ehjät
2. Virtsasäiliö on sijoitettu oikein
3. Virtsasäiliön tasoilmaisin toimii

Vältä sähköiskuja

1. Älä koskaan käytä vaurioitunutta virtajohtoa tai pistoketta, ja älä vie johtoa kuumien tai terävien pintojen yli.
2. Jos virtajohto on vaurioitunut, se on vaihdettava valmistajan, sen huoltoedustajan tai vastaavan pätevyyden omaavan henkilön toimesta vaaran välttämiseksi.

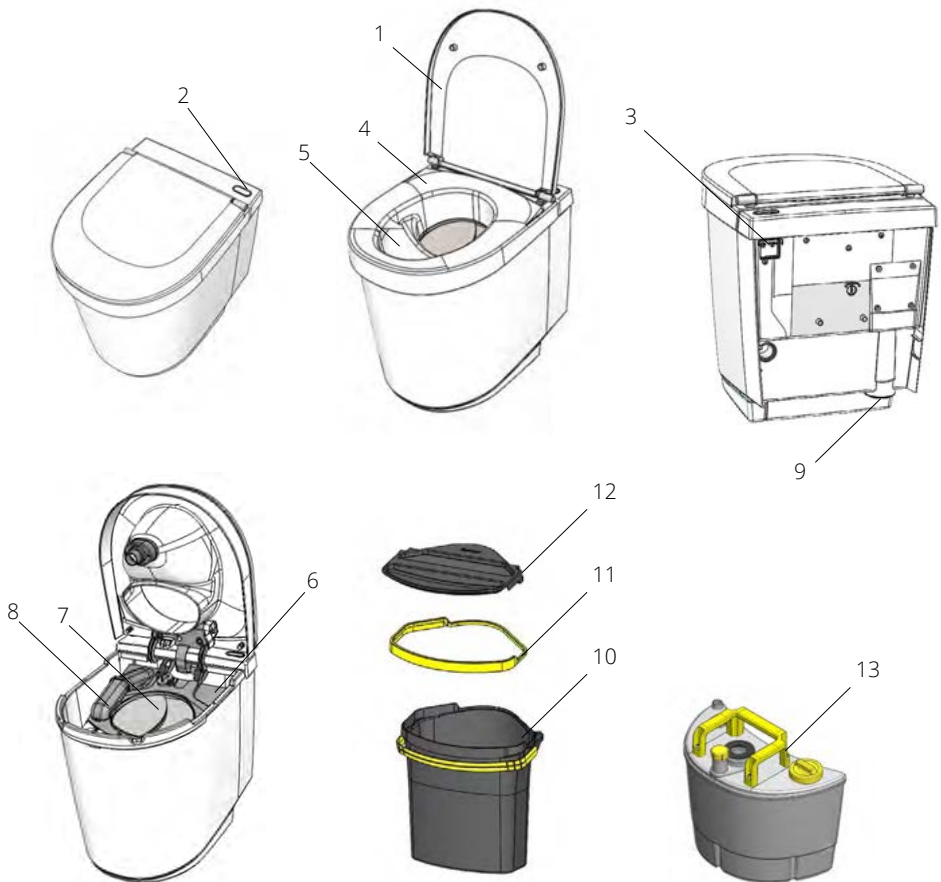
Muuta

- Tämä tuote on tarkoitettu vain kotitalouskäyttöön tai rajoitetulle määrälle ihmisiä, joilla on hyvät tiedot sen asianmukaisesta käytöstä. Emme suosittele virtsan erottelevien käymälöiden sijoittamista julkisiin tiloihin.
- Älä tee tuotteeseen muutoksia, jotka muuttavat sen ominaisuuksia.

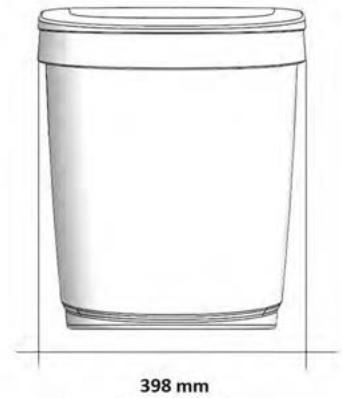
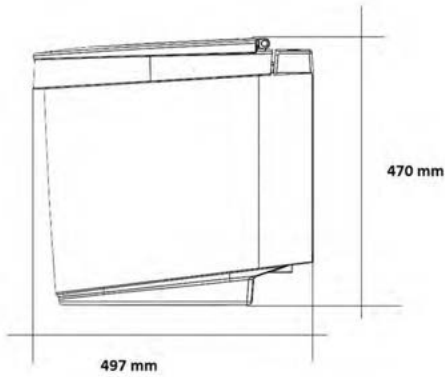
Tekniset tiedot

Käymälän osat

1. Kansi
2. Tyhjennysindikaattori
3. Virtaliitäntä
4. Istuin
5. Virtsamalja
6. Sisäkansi
7. Näkösuoja
8. Tuuletinkanava
9. Tuuletusaukko
10. Jätessäiliö
11. Säkin kiinnityslista
12. Jätessäiliön kansi
13. Virtsasäiliö



Mitat



Korkeus: 470 mm (18,5")
Pituus: 497 mm (19,6")
Leveys: 398 mm (15,7")
Istumakorkeus: 440–452 mm (17,3–17,8")

Materiaali

Pintamateriaali: Korkeakiiltainen polypropeeni
Sisämateriaali: Polyamidi ja polypropeeni
Tiivisteet: Kestomuovi (TPE)
Kaikki materiaalit ovat kierrätettäviä

Paino

8,5 kg

Tilavuudet

Virtsa säiliö: 7,1 L
Jättesäiliö: 14,5 L

Putkien halkaisijat

Tuuletusputki: Ø 50 mm (ulkohalkaisija)

Jännite/teho

12V, 1,6W

Sähköliitäntä

Verkkovirta: Verkkovirta-adaptteri 110/240V-12V (1,55 m/5,1')
Matalajänniteliitäntä: 12 V akkukaapeli (1,9 m / 6,25') krokotiilipidikkeillä

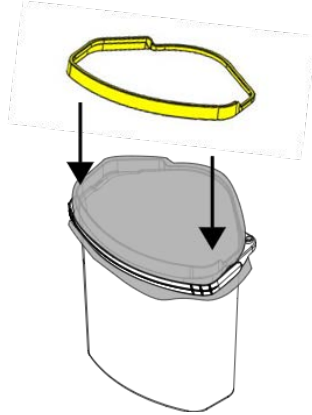
Energian kulutus

0,04 kWh/vrk, 14 kWh/vuosi

Käyttö

Ennen käyttöä

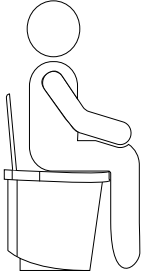
1. Varmista käymälän toiminta (katso kohta "Tärkeitä turvallisuusohjeita")
2. Kytke virta käymälään (katso kohta "Virran kytkentä")
3. Tarkista, että tuuletin toimii
4. Aseta Tiny biosäkki jäteastiaan. Säkki on aina kiinnitettävä paikalleen keltaisella kiinnityslistalla, joka varmistaa sen, että pussi pysyy paikallaan, eikä takerru näkösuojaan.



5. Aseta Absorb-kosteudenpoistajaliina jätesäkin pohjalle imemään liiallista kosteutta
6. Aseta biotabletti virtsamaljaan raikastukseksi ja ehkäisemään virtsanpoistoputkeen muodostuvia kerrostumia

Näin käytät käymälää

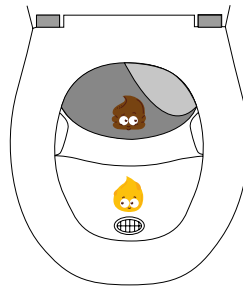
1.



Istu aina alas käymälällä asioidessasi.

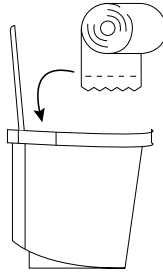
*Istu hieman normaalia taaempana, jotta virtsa
ja kiinteä jäte erottuvat oikein.*

2.



Istuutuessasi käymälälle näkösuoja siirtyy sivuun.

3.



WC-paperi voidaan laittaa kiinteän
jätteen säiliöön.



HUOM! Älä koskaan heitä mitään palavaa tai hehkuvaa käymälään!

Käyttöohjeet voi ladata osoitteesta www.separett.com.

Puhdistus/huolto

Separett Tiny tulee puhdistaa ympäristöystävällisellä, hankaamattomalla puhdistusaineella. Käymälä on valmistettu kestävästä, korkeakiiltoisesta polypropeenimateriaalista, joka voi naarmuuntua hankaavasta puhdistusaineesta tai karheasta puhdistusliinasta tai -sienestä.

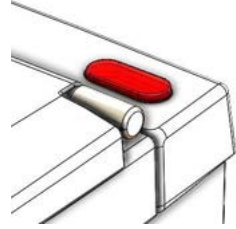
Tuulettimen on oltava käynnissä jatkuvasti, jotta käymälätilassa vältytään hajulta. Huuhtelee tuuletusputkiston suodatin säännöllisin väliajoin vedellä optimaalisen ilmanvaihdon ylläpitämiseksi.

Jälkikäsittely

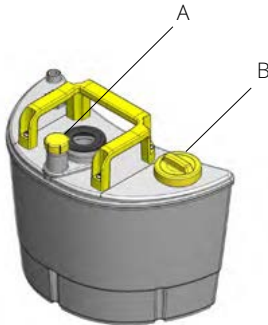
HUOM! Varmista aina voimassa olevat jätehuoltoon koskevat ympäristömääräykset paikallisilta viranomaisilta. Noudata aina paikallisia määräyksiä.

Virtsasäiliön tyhjennys:

Virtsasäiliö tyhjenetään päivittäisessä käytössä 2 hengen kotitaloudessa noin 2–3 kertaa viikossa. Kun virtsasäiliö on täynnä, ilmoittaa käymälä tästä sytyttämällä punaisen valon käymälän logoon. Valon syttymisen jälkeen käymälää voidaan käyttää 1–2 kertaa ennen kuin säiliö on tyhjennettävä. Säiliö tyhjenetään avaamalla käymälän yläosa. Varmista, että yläosa lukittuu auki-asentoon, ennen kuin päästät siitä irti. Seuraa sitten seuraavia vaiheita:



1. Varmista, että pieni korkki on tiukasti kiinni, ja pyöritä sitten virtsasäiliön iso korkki kiinni.
2. Nosta säiliö käymälästä. Nostamisen helpottamiseksi käytä säiliön poikittaista kahvaa.
3. Kanna säiliö tyhjennyspaikkaan.
4. Kierrä säiliön pieni korkki auki ja jätä iso paikalleen.
5. Tyhjennä säiliö pitämällä sitä tukevasti kahvasta toisella kädellä ja pidä toisella kädellä kiinni säiliön alapuolelta. Kallista säiliötä ja tyhjennä sisältö pienestä poistoaukosta.
6. Kun säiliö on tyhjä, kierrä pieni korkki takaisin paikoilleen ja varmista, että se on tiukasti paikallaan.
7. Aseta säiliö takaisin käymälään varmistaen, että se laskeutuu oikealle paikalleen käymälään.
8. Irrota säiliön iso korkki ja aseta se sille tarkoitettuun säilytyspaikkaan.
9. Sulje käymälän yläosa vetämällä yläosaa itseäsi kohti, kunnes salpa vapautuu. Sulje sitten yläosa varovasti ja varmista, että se sulkeutuu oikealla tavalla. Testaa, että säiliö on asetettu oikein kokeilemalla joustako yläosa, kun painat istuimen etuosasta. Jos yläosa ei joustaa, on säiliö sijoitettu väärin.



A. Pieni korkki
B. Iso korkki

Kiinteän jätteen tyhjennys

Kiinteä jäte kerätään jäteastiaan, jossa on kompostoitava biosäkki. Kiinteä jäte tyhjenetään päivittäisessä käytössä 2 hengen kotitaloudessa noin kerran kahdessa viikossa. Säiliö tyhjenetään avaamalla käymälän yläosa. Varmista, että yläosa lukittuu auki-asentoon, ennen kuin päästät siitä irti. Seuraa sitten seuraavia vaiheita:

1. Aseta mukana toimitettu kansi säiliöön.
2. Nosta säiliötä keltaisesta kahvasta ja vedä säiliö ylös käymälästä.
3. Kanna säiliö tyhjennyspaikkaan.

Kiinteä jäte voidaan käsitellä esimerkiksi jollakin seuraavista tavoista:

Vaihtoehto 1: Kompostoidaan umpipohjaisessa käymäläjätekompostorissa

Vaihtoehto 2: Poltetaan hyväksytyssä polttouunissa (tarkasta paikalliset määräykset jätteen polttoa koskien)

Vaihtoehto 3: Vanhetetaan käymäläjätettä vähintään 12 kuukauden ajan noudattamalla seuraavia vaiheita:

A) Aseta se ulos sopivaan paikkaan tiivispohjaisessa säiliössä.

B) Lisää säiliöön multaa (n. 2 cm). Varmista, että säiliö on ilmastoitu niin, että ilmaa pääsee sen sisään.

C) Anna säiliön seistä 12 kuukautta. Maaperän bakteerit hajottavat ulosteessa olevat haitalliset organismit. Tällä tavoin jätteestä tulee vaaratonta.

D) Varastointiajan jälkeen sisältö voidaan lisätä lämpökompostoriin, puutarhakompostoriin tai haudata yhdessä kompostoituvan biosäkin kanssa.

Vianmääritys

Jos logon valo ei pala

Jos virtsasäiliön valo ei syty säiliön ollessa täynnä, tarkista seuraavat kohdat:

- Tuleeko pistorasiasta virtaa?
- Syöttääkö akku/virtalähde virtaa käymälään?
- Onko käymälän takana oleva liitäntä ja johdotus kunnossa ja paikallaan?
- Onko käymälän alla oleva anturi oikeassa asennossa?

Jos käymälä haisee

Virtsan erottelava Separett-käymälä takaa kehittyneen virtsan erottelun ja jatkuvan tuuletuksen ansiosta hajuttoman käymälätilan. Jos hajuja esiintyy, tarkista seuraavat asiat:

- Toimiiko tuuletin? Jos tuuletin ei toimi, varmista, että:
 1. Käymälä saa virtaa.
 2. Tuulettimen liitin on kunnolla paikallaan.
 3. Takana olevat johdot ovat oikeilla paikoillaan.
- Onko tuuletusputkiston suodatin puhdas?
- Onko tuuletusputken päään ritilä puhdas?
- Onko putkisto asennusohjeiden mukainen?

Ongelma hyönteisten kanssa käymälässä.

Oikein asennettuna ja oikein käytettynä Separett Tinyin käymälätila on hajuton. Tämä tarkoittaa, että käymälän jäteastian ei tarvitse laittaa ylimääräistä kuivikemateriaalia (kuten sahanpurua). Kuivikemateriaali voi johtaa suodattimien tukkeutumiseen ja tuulettimen kestoiän lyhenemiseen. Jos sinulla on käymälässä edelleen ongelmia hyönteisten kanssa, tarkista seuraavat asiat:

- Varmista, että tuuletusputken päässä oleva hyönteisverkko tiiviisti kiinni ja ehjä.
- Tarkista, että tuuletusputki on ehjä ja että liitoskohdat ovat tiiviit.

Lisätarvikkeet

Täydentävät tuotteet

Virtsan erotteleva lastenistuim

Virtsan erotteleva lastenistuin täydentää virtsan erottelevaa käymäläratkaisua. Sen avulla pienimmätkin käyttäjät voivat helpommin käyttää käymälää.



1101

Tuuletusputkipaketti Tiny

Täydentävää tuuletusputkipakettia käytetään, jos asennus vaatii putkiston vedon korkeammalle ja/tai kauemmaksi käymälästä.



1344

Virtsanpoistoputki jalustalla

Virtsasäiliöllä varustettu Tiny voidaan haluttaessa muuntaa tämän virtsanpoiston kanssa versioksi, jossa virtsa kerätään ulkoisesti.



1343

Kulutustarvikkeet

Biotabletti virtsamaljaan 5 kpl

Separrett Biotabletti asetetaan käymälän virtsakulhoon. Tabletti hajoaa hitaasti, ja ehkäisee siinä olevien entsyymien avulla kerääntymien muodostumisen virtsanpoistoputkeen ja ehkäisee sen tukkeutumista. 2 käyttäjällä 1 tabletti kestää 1–2 kuukautta.



1118

Biosäkki Tiny käymälään 10 kpl / 20 kpl

Biosäkki on suunniteltu erityisesti Separrett Tiny-jätesäiliöön sopivaksi. Säkki auttaa pitämään jätesäiliön puhtaana. Se on valmistettu maissitärkkelyksestä, joka on ympäristöystävällinen kompostoitava materiaali. Enintään 14,5 litran säiliölle.



1337/1338

Tiny Absorb -kosteudenpoistaja 10 kpl

Tiny -kosteudenpoistajaliina sijoitetaan jätesäkin pohjalle, ja sitä käytetään imemään mahdollinen jätteen liiallinen kosteus. Liina auttaa pitämään sisällön kuivana ja hajuttomana. Tämä tuote on erityisesti suunniteltu Tiny -käymälää varten ja se on valmistettu kompostoitavasta materiaalista.



1346

Katso kaikki tuotteet osoitteessa www.separett.com

Ota yhteyttä

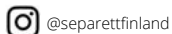
Dokumentit

Tämä käyttöopas ja ohjevideot ovat saatavilla ympäri vuorokauden verkkosivullamme yhdessä kaikkien tässä käyttöoppaassa mainittujen kohtien kanssa.

Ota yhteyttä

Jos tarvitset apua käymälän kanssa, löydät tietoa verkkosivuiltamme ympäri vuorokauden. Siellä voit tehdä myös vikailmoituksen helposti. Käy verkkosivumme ”Kysymyksiä ja vastauksia” -osiossa, josta löydät vastaukset yleisimpiin kysymyksiin. Jos et löydä vastausta kysymykseesi, älä epäile ottaa yhteyttä meihin.

Verkkosivu: www.separett.com
Sähköposti: infofi@separett.com
Puhelin: 019 241 8230





Kjære kunde,

Takk for at du valgte et produkt fra Separett, og gratulerer med nytt toalett!

I over 40 år har vi i Separett utviklet toalettløsninger som ikke er begrenset av tilgang til vann eller avløp, med visjonen om å bidra til høyere livskvalitet for mange mennesker.

I dag forenkler våre toalettløsninger livet til hundretusener av mennesker over hele verden. For oss er det ekstremt viktig at toalettløsningen du har valgt, er av høy kvalitet, at den er svært pålitelig og krever minimalt med vedlikehold.

Vi håper du blir fornøyd med det nye produktet ditt samtidig som du sparer miljøet for store mengder vann.

Velkommen til Separett-familien

Separett[®]
Waterless toilets

Garanti

Dette produktet har 5 års garanti for produksjons- og/eller materialfeil.

Garantien gjelder imidlertid ikke for normal slitasje, feilaktig bruk eller behandling, eller hvis kunden har forårsaket en skade eller gjort et inngrep i produktet. Hvis du har noen spørsmål om reservedeler eller garantikrav, vennligst ta kontakt med nærmeste Separett-forhandler. Se oversikten på www.separett.com.

Ta vare på kvitteringen din



Plass til kvittering

Du finner gjeldende garantibetingelser på www.separett.com

Innhold

Garanti	4
Viktige sikkerhetsinstruksjoner	6
Tekniske data	8
Bruk	10
Etterhåndtering	13
Feilsøking	15
Tilbehør	16
Kontakt oss	17



Viktige sikkerhetsinstruksjoner

VIKTIGE SIKKERHETSINSTRUKSJONER

LES INSTRUKSJONENE NØYE FØR BRUK. PRODUSENTEN ER IKKE ANSVARLIG FOR EVENTUELLE PERSONSKADER ELLER ANDRE SKADER SOM SKULLE OPPSTÅ SOM FØLGE AV FEILINSTALLERING ELLER FEIL BRUK. TA VARE PÅ BRUKERMANUALEN FOR FREMTIDIGE BEHOV!

Sikkerhet

Dette produktet kan brukes av barn og av personer med nedsatt fysisk, sensorisk eller mental kapasitet, samt personer med manglende erfaring og kunnskap om produktet, forutsatt at de holdes under oppsyn eller får opplæring om hvordan produktet brukes på en sikker måte og forstår de farene som kan oppstå ved feilaktig bruk.

- Toalettets emballasje og innpakningsmateriale skal ikke brukes som leketøy. Hold innpakningsmaterialet utilgjengelig for barn og sørg for at det kastes på riktig måte.

ADVARSEL! Ikke bruk toalettet hvis det er skadet eller ikke fungerer som det skal.

Sørg for at toalettet fungerer ved regelmessig å kontrollere følgende:

1. At urintanken er riktig plassert
2. At pakninger fungerer
3. At det ikke oppstår skader på bærende deler
4. At det ikke er noen skade på kablingen

Unngå brannfare/brannskader

Toalettet må brukes i overensstemmelse med brukermanualen. Ingen typer materiale som ikke har å gjøre med et toalettbesøk, skal kastes i toalettet. Sørg for at alle nye brukere av toalettet får den informasjonen de trenger for å bruke toalettet på en sikker måte. Toalettet er ikke ment for å stå eller klatre på. Små barn eller barn som ikke kan bruke toalettet på en trygg måte i samsvar med denne brukermanualen, skal alltid bruke toalettet under oppsyn av voksne. Ikke la barn leke med produktet.

Vedlikehold

Kontinuerlig vedlikehold er viktig for å sikre at toalettet fungerer som det skal. Ved vedlikehold skal følgende kontrolleres:

1. At toalettets pakninger er intakte
2. At urintanken er riktig plassert
3. At nivåindikasjonen i urintanken fungerer

Unngå elektrisk støt

1. Bruk aldri en skadet strømledning eller støpsel, og la aldri ledningen gå over varme eller skarpe overflater.
2. Hvis strømledningen er skadet, må den byttes ut av produsenten, dennes representant eller tilsvarende kvalifisert person for å unngå fare.

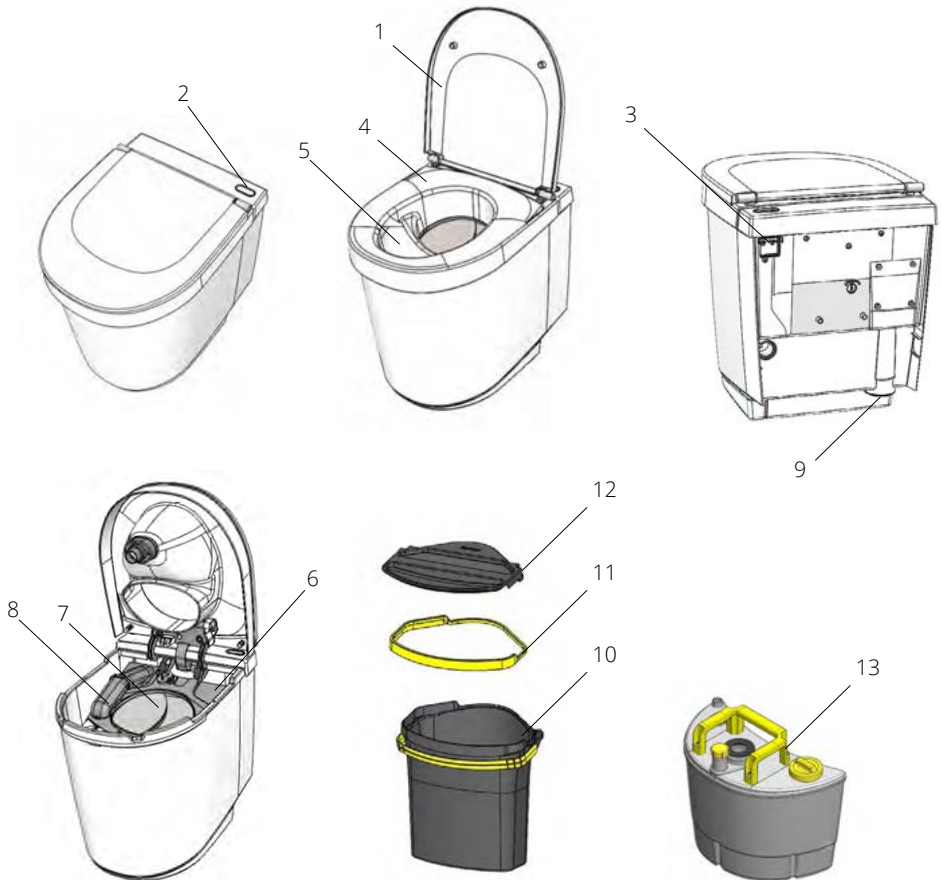
Annet

- Dette produktet er kun ment for husholdningsbruk eller for et begrenset antall mennesker som vet hvordan det skal brukes på riktig måte. Vi anbefaler at urinseparerende toaletter ikke plasseres på offentlige steder.
- Det skal ikke utføres endringer på produktet som gjør at produktets spesifikasjoner forandres.

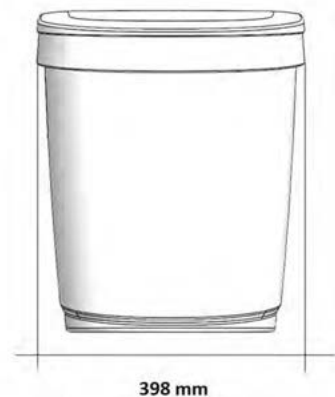
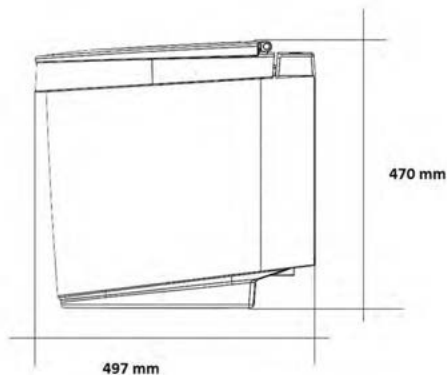
Tekniske data

Toalettets deler

1. Lokk
2. Tømmeindikator
3. Strømtilkobling
4. Sete
5. Urinskål
6. Innerlokk
7. Innsynsbeskyttelse
8. Viftekanal
9. Ventilasjonsutløp
10. Avfallsbeholder
11. Klemmist til pose
12. Lokk til avfallsbeholder
13. Urintank



Measurements



Høyde: 470 mm (18,5")
Lengde: 497 mm (19,6")
Bredde: 398 mm (15,7")
Setehøyde: 440–452 mm (17,3–17,8")

Materiale

Ytre materiale: Høyglanset polypropylen
Indre materiale: Polyamid og polypropylen
Pakninger: Termoplast (TPE)
Alle materialer er resirkulerbare

Vekt

8,5 kg

Volum

Urintank: 7,1 L
Avfallsbeholder: 14,5 L

Rørdimensjoner

Ventilasjonsrør: Ø 50 mm (ytre mål)

Strøm

12 V, 1,6 W

Strømtilkobling

Nettilkobling: Nettdapter 110/240 V–12 V (1,55 m / 5,1 fot)
Lavspenningstilkobling: 12 V batterikabel (1,9 m / 6,25 fot) med krokodilleklips

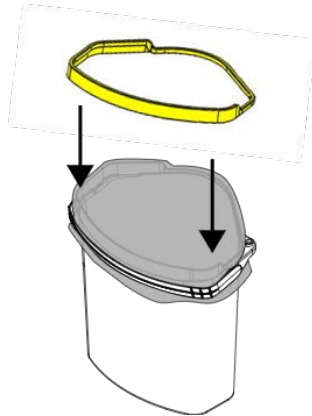
Strømforbruk

0,04 kwh/døgn, 14 kwh/år

Bruk

Før bruk

1. Sørg for at toalettet fungerer (se avsnittet «Viktige sikkerhetsinstruksjoner»)
2. Koble toalettet til en strømkilde (se avsnittet «Koble strøm til toalettet»)
3. Kontroller at viften fungerer
4. Plasser en nedbrytbar biosekk for Tiny i avfallsbeholderen. Sekken skal alltid holdes på plass av den gule klemlisten for å sikre at den sitter godt fast og ikke risikerer å sette seg fast i innsynsbeskyttelsen.



5. Det kan være en fordel å plassere en absorberingsduk i bunnen av avfallsposen for å suge opp eventuell fuktighet
5. Plasser gjerne en avløpsrens i urinskålen for å få frisk duft og for å holde urinavløpet fritt for avleiringer

Slik bruker du toalettet

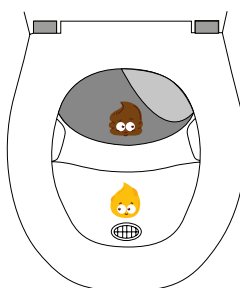
1.



Bruk **alltid** toalettet i sittende stilling

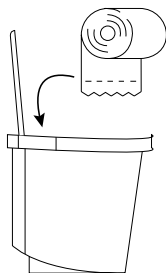
Sitt litt lenger bak enn vanlig, slik at urin og fast avfall separeres.

2.



Når du setter deg ned, vil innsynsbeskyttelsen dreie seg bort.

3.



Toalettpapiret kan kastes i samme kasse som det faste avfallet.



OBS! Kast aldri brennende eller glødende gjenstander i toalettet!

Brukerinstruksjoner kan lastes ned på www.separett.com.

Rengjøring/vedlikehold

Separett Tiny bør rengjøres med et miljøvennlig, ikke-slipende rengjøringsmiddel. Toalettet er laget av et sterkt, høyglanset polypropylenmateriale som risikerer å få riper dersom man bruker et slipende rengjøringsmiddel eller skuresvamp.

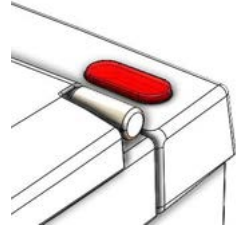
Viften må kjøre kontinuerlig for å unngå lukt i toalettrommet. Skyll av filteret i viftekanalen med vann ved jevne mellomrom for å holde ventilasjonen ved like.

Etterhåndtering

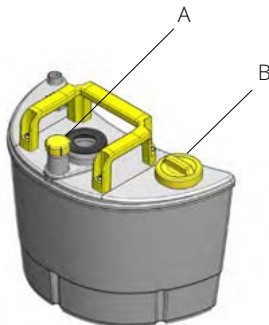
OB! Spør alltid miljøkontoret om hvilke regler som gjelder for avfallshåndtering i din kommune. Følg alltid lokale forskrifter.

Tømming av urintanken

For heltidsbruk i en husstand på to personer tømmes urintanken ca. 2–3 ganger per uke. Toalettet gir beskjed når urintanken er full ved at logoen på toalettet lyser rødt. Etter at lampen begynner å lyse, kan toalettet brukes 1–2 ganger til før tanken må tømmes. For å tømme tanken åpner man øverste del av toalettet. Forsikre deg om at den øverste delen er låst i åpen stilling før du slipper den. Følg deretter trinnene nedenfor:



1. Pass på at det lille lokket sitter godt fast på tanken, og skru deretter på det store lokket på urintanken
2. Hold lokkene på og løft tanken ut av toalettet. For å gjøre det lettest mulig å løfte ut tanken, bruk tankens tverrgående håndtak når du løfter.
3. Bær tanken dit den skal tømmes.
4. Skru av det lille lokket på tanken og behold det store lokket på.
5. Tøm tanken ved å holde den i et fast grep i håndtaket med den ene hånden og den andre hånden på undersiden av tanken. Vipp tanken og tøm innholdet fra det lille utløpet.
6. Når tanken er tom, skru det lille lokket på igjen og pass på at det sitter godt på plass.
7. Sett tanken tilbake inn i toalettet, og pass på at den blir plassert riktig.
8. Skru av det store lokket og plasser det på angitt oppbevaringssted.
9. For å lukke øverste del av toalettet, trekk delen mot deg til låsen løsner. Lukk deretter øverste del forsiktig og forsikre deg om at den lukkes på riktig måte. For å kontrollere at tanken er riktig plassert, test om den øverste delen fjærer når du trykker på den fremre delen av setet. Hvis det ikke kommer noen reaksjon, er tanken feilplassert.



A. Det lille lokket
B. Det store lokket

Tømming av fast avfall

Det faste avfallet samles i avfallsbeholderen som er utstyrt med en nedbrytbar biosekk. For heltidsbruk i en husstand på to personer tømmes det faste avfallet ca. én gang annen hver uke. For å tømme det faste avfallet åpnes den øverste delen av toalettet. Forsikre deg om at den øverste delen er låst i åpen stilling før du slipper den. Følg deretter trinnene nedenfor:

1. Plasser det medfølgende lokket på beholderen.
2. Løft beholderen etter håndtaket og trekk beholderen opp fra toalettet.
3. Bær beholderen til avhendingssted.

Det faste avfallet kan deretter håndteres på én av følgende måter:

Alternativ 1: Komposteres direkte i godkjent latrinekompost

Alternativ 2: Forbrennes direkte i en godkjent forbrenningsovn

Alternativ 3: Plasser beholderen med avfallet i «dvale» i minst 12 måneder ved å følge trinnene nedenfor:

- A) Plasser beholderen på et passende sted utendørs i en egnet beholder med tett bunn.
- B) Fyll beholderen med et jordlag (ca. 2 cm) og sørg for at beholderen er ventilert slik at luft kommer inn.
- C) La stå i 12 måneder. Jordbakteriene bryter ned de skadelige organismene i avføringen slik at avfallet blir ufarlig.
- D) Etter lagringsperioden kan innholdet komposteres i en vanlig kompost, hagekompost eller nedgraves sammen med den nedbrytbare biosekken.

Feilsøking

Hvis lampen ikke lyser

Hvis lampen for urintanken ikke lyser når tanken er full, kan følgende undersøkes:

- Er det spenning i vegguttaket?
- Gir batteriet/strømkilden spenning til toalettet?
- Sitter tilkoblingen og kablene riktig på baksiden av toalettet?
- Sitter kontakten for sensoren på undersiden av toalettet riktig?

Hvis det lukter

Et urinseparerende toalett fra Separett skal, ved hjelp av den velutviklede urinseparasjonen og den konstante luftstrømmen, sørge for at badet er luktfritt. Skulle det oppstå lukt, skal følgende undersøkes:

- Fungerer viften? Hvis viften ikke fungerer, må du sørge for at:
 1. Det kommer spenning fra spenningskilden.
 2. Viftekontakten sitter ordentlig i.
 3. Ledningene på baksiden sitter riktig.
- Er ventilasjonsgitteret rent?
- Er gitteret ved ventilasjonens utløp rent?
- Er rørtrekkingen i henhold til instruksjonene?

Problemer med skadedyr på toalettet.

Med riktig installasjon og riktig bruk av Separett Tiny, skal toalettet være luktfritt. Dette betyr at toalettet ikke trenger noe tilleggsmateriale (f.eks. sagspon) i avfallsbeholderen. Hvis du likevel har problemer med skadedyr på toalettet, gjør følgende:

- Forsikre deg om at insektnettingen er godt festet til ventilasjonen
- Kontroller at ventilasjonsrøret er helt og at skjøtene er tette

Tilbehør

Kompletter med

Urinseparerende barnesete

Det urinseparerende barnesetet er et perfekt supplement til din urinseparerende toalettløsning, som gjør at selv de minste kan bruke toalettet.



1101

Ventilasjonssett

Ekstra ventilasjonssett som brukes dersom installasjonen krever ventilasjon høyere opp og/eller lengre unna toalettet.



1344

Urinslange

Tiny med urintank kan konverteres til Tiny med ekstern oppsamling av urin, hvis ønskelig, med denne urinslangen.



1343

Forbruksvarer

Avløpsrens 5-pakning

Separett avløpsrens er en biologisk tablett som legges i urinskålen på toalettet. Tabletten brytes langsomt ned, og enzymene holder urinavløpet fritt for avleiringer som på sikt kan stoppe strømmen. Med to brukere varer en tablett i 1–2 måneder. Tabletter kan kjøpes separat i 5-pakninger.



1118

Nedbrytbare biosekker Tiny 10-/20-pakning

Biosekken er spesielt utformet for å passe til avfallsbeholderen i Separett Tiny. Sekken bidrar til å holde avfallsbeholderen ren og er laget av maissivelse, som er et miljøvennlig komposterbart materiale. For beholdere opptil 14,5 liter.



1337/1338

Absorberingsduk Tiny 10-pakning

Absorberingsduken til Tiny plasseres i bunnen av latrinesekken og brukes til å suge opp eventuell fuktighet fra avfallet. Duken bidrar til å holde innholdet tørt og dermed luktfritt. Dette produktet er spesielt tilpasset toalettet Tiny og laget av nedbrytbart materiale.



1346

Se alle artiklene på www.separett.com

Kontakt oss

Dokumentasjon

Denne brukermanualen og tilhørende instruksjonsvideoer er tilgjengelige døgnet rundt på hjemmesiden vår, sammen med alle avsnittene som denne manualen henviser til.

Kontakt oss

Hvis du trenger hjelp med toalettet, finner du informasjon døgnet rundt på hjemmesiden vår, og der kan du også enkelt rapportere eventuelle feil. Finner du ikke det du leter etter? Besøk «Spørsmål og svar» på vår hjemmeside, hvor du finner svar på de vanligste spørsmålene. Hvis du ikke finner svar på spørsmålet ditt, er du velkommen til å kontakte oss

Website: www.separett.com

Email: info@separett.com

Phone: +46 (0)370-307200





Sehr geehrte Kundin, sehr geehrter Kunde,

vielen Dank, dass Sie sich für ein Produkt von Separett entschieden haben. Herzlichen Glückwunsch zu Ihrer neuen Toilette!

Bei Separett entwickeln wir seit über 40 Jahren Toilettenlösungen, die nicht von der Verfügbarkeit von Wasser oder Abwasser abhängig sind. Unsere Vision ist es, bei möglichst vielen Menschen zu einer höheren Lebensqualität beizutragen.

Unsere Toilettenlösungen vereinfachen heute das Leben von Hunderttausenden Menschen auf der ganzen Welt. Für uns ist es äußerst wichtig, dass die von Ihnen gewählte Toilettenlösung von hoher Qualität ist, ein hohes Maß an Zuverlässigkeit aufweist und nur minimale Wartung erfordert.

Wir hoffen, dass Sie mit Ihrem neuen Produkt zufrieden sind und unserem Planeten zuliebe gleichzeitig eine Menge an Wasser sparen können.

Willkommen bei Separett

Separett[®]
Waterless toilets

Garantie

Für dieses Produkt wird eine 5-jährige Garantie auf Fabrikations- und/oder Materialfehler gewährt.

Die Garantie gilt jedoch nicht für normalen Verschleiß, bei unsachgemäßer Verwendung oder Wartung sowie wenn der Kunde Schäden verursacht oder Eingriffe am Produkt vorgenommen hat. Bei Fragen zu Ersatzteilen oder Garantieansprüchen wenden Sie sich bitte an Ihren nächstgelegenen Separett-Händler. Eine entsprechende Liste finden Sie unter www.separett.com.

Bewahren Sie Ihren Kaufbeleg auf



Die geltenden Garantiebedingungen finden Sie unter www.separett.com

Inhalt

Garantie	4
Wichtige Sicherheitsanweisungen	6
Technische Daten	8
Gebrauch	10
Handhabung nach dem Gebrauch	13
Feilsøking	15
Zubehör	16
Kontakt	17



Wichtige Sicherheitsanweisungen

WICHTIGE SICHERHEITSANWEISUNGEN

BITTE LESEN SIE SICH DIESE ANWEISUNGEN VOR DEM GEBRAUCH SORGFÄLTIG DURCH. DER HERSTELLER ÜBERNIMMT KEINE VERANTWORTUNG FÜR EVENTUELLE PERSONENSCHÄDEN ODER ANDERE SCHÄDEN, DIE AUFGRUND EINER FEHLERHAFTEN MONTAGE ODER EINES FEHLERHAFTEN GEBRAUCHS ENTSTEHEN. BEWAHREN SIE DIESE BEDIENUNGSANLEITUNG BITTE FÜR KÜNFTIGEN BEDARF AUF!

Sicherheit

Dieses Produkt kann von Kindern und von Personen mit eingeschränkten körperlichen, sensorischen oder mentalen Fähigkeiten sowie Mangel an Erfahrungen und Kenntnissen über das Produkt verwendet werden, sofern diese beaufsichtigt oder bezüglich des sicheren Gebrauchs des Produkts unterwiesen werden und die Risiken verstanden haben, die bei unsachgemäßer Nutzung entstehen können.

- Die Verpackungsmaterialien der Toilette sind kein Spielzeug und müssen daher außerhalb der Reichweite von Kindern aufbewahrt sowie ordnungsgemäß entsorgt werden.

WARNUNG! Verwenden Sie die Toilette nicht, wenn sie beschädigt ist oder nicht richtig funktioniert.

Stellen Sie die Funktionstüchtigkeit der Toilette sicher, indem Sie regelmäßig Folgendes überprüfen:

1. Der Urintank ist richtig positioniert.
2. Die Dichtungen sind funktionstüchtig.
3. Die tragenden Elemente weisen keine Beschädigungen auf.
4. Die Verkabelung weist keine Beschädigungen auf.

Brandrisiko/Verbrennungen vermeiden

Die Toilette muss gemäß der Bedienungsanleitung benutzt werden. Es dürfen keine Materialien, die nicht mit einem Toilettenbesuch in Verbindung stehen, in die Toilette geworfen werden. Sorgen Sie dafür, dass Personen, die die Toilette zum ersten Mal benutzen, die entsprechenden Informationen erhalten, um eine sichere Verwendung der Toilette zu gewährleisten. Die Toilette ist nicht dafür geeignet, um darauf zu stehen oder zu klettern. Kleinkinder oder Kinder, die nicht in der Lage sind, die Toilette gemäß dieser Bedienungsanleitung zu benutzen, sollten dies immer unter Aufsicht von Erwachsenen tun. Sorgen Sie dafür, dass Kinder nicht mit dem Produkt spielen.

Wartung

Eine kontinuierliche Wartung ist wichtig, um die Funktion der Toilette sicherzustellen. Bei der Wartung sollten Sie Folgendes überprüfen:

1. Die Toilettendichtungen sind intakt.
2. Der Urintank ist richtig positioniert.
3. Die Füllstandsanzeige des Urintanks ist funktionstüchtig.

Stromschläge vermeiden

1. Verwenden Sie niemals ein beschädigtes Netzkabel oder einen beschädigten Stecker und stellen Sie sicher, dass das Kabel niemals auf heiße Oberflächen oder über scharfe Kanten gelegt wird.
2. Ist das Netzkabel beschädigt, muss es vom Hersteller, dessen Servicemitarbeiter oder einer entsprechend qualifizierten Fachkraft ausgetauscht werden, damit jegliche Gefahren vermieden werden.

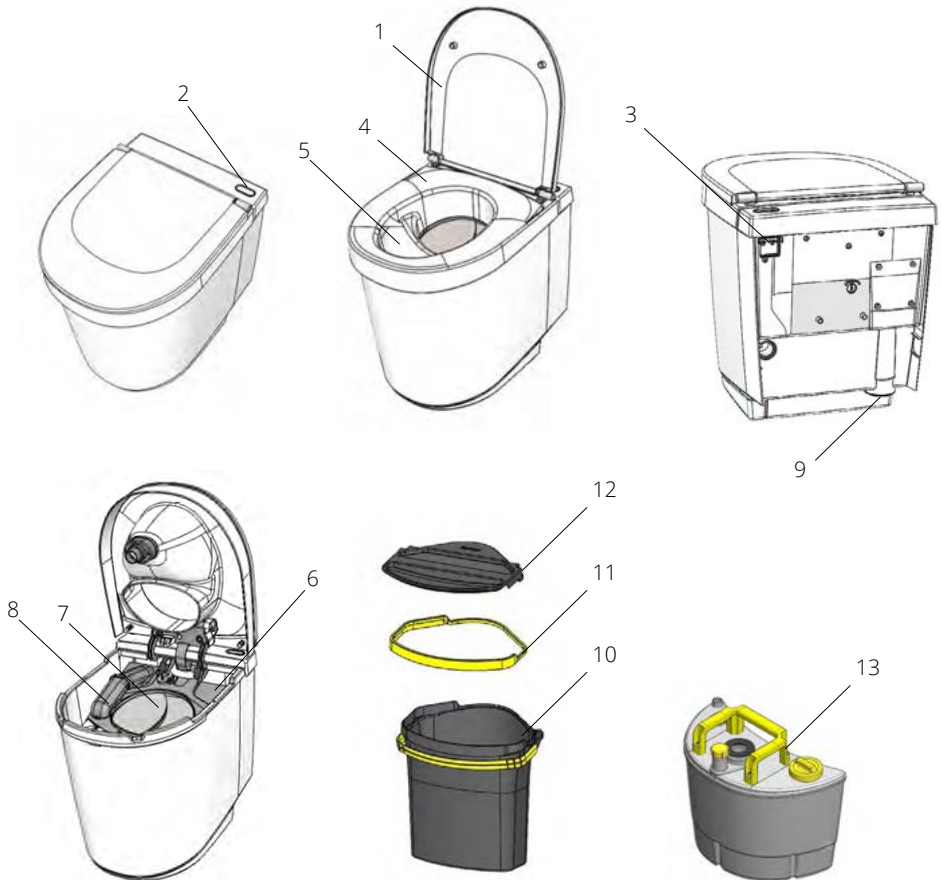
Sonstiges

- Dieses Produkt ist nur für Privathaushalte beziehungsweise für eine begrenzte Anzahl von Personen mit guten Kenntnissen zum ordnungsgemäßen Gebrauch bestimmt. Wir raten davon ab, Trenntoiletten in öffentlichen Bereichen aufzustellen.
- Nehmen Sie keine Änderungen am Produkt vor, die veränderte Produktspezifikationen zur Folge haben.

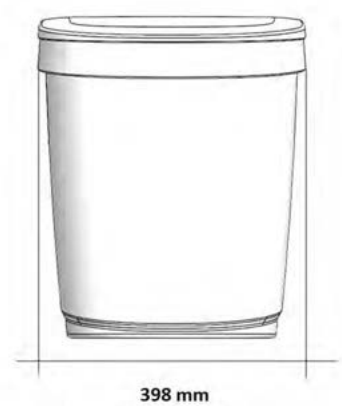
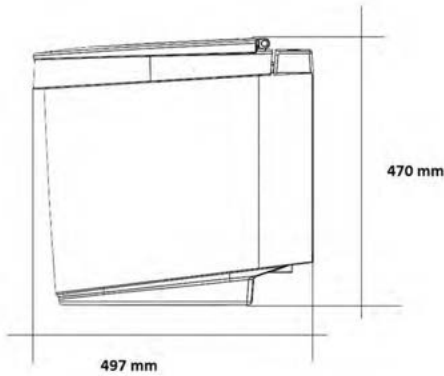
Technische Daten

Die Komponenten der Toilette

1. Deckel
2. Entleerungsanzeige
3. Stromanschluss
4. Sitz
5. Urinschale
6. Innendeckel
7. Sichtschutz
8. Lüftungskanal
9. Lüftungsauslass
10. Feststoffbehälter
11. Klemmleiste für den Beutel
12. Deckel des Feststoffbehälters
13. Urintank



Abmessungen



Höhe: 470 mm (18,5")
Länge: 497 mm (19,6")
Breite: 398 mm (15,7")
Sitzhöhe: 440–452 mm (17,3–17,8")

Material

Außenmaterial: Hochglanz-Polypropylen
Innenmaterial: Polyamid und Polypropylen
Dichtungen: Thermoplast (TPE)
Sämtliche Materialien sind recycelbar

Gewicht

8,5 kg

Volume

Urintank: 7,1 l
Feststoffbehälter: 14,5 L

Rohrabmessungen

Lüftungsrrohr: Ø 50 mm (Außenmaße)

Elektrische Ausstattung

12V, 1,6W

Elektroanschluss

Netzanschluss: Netzteil 110/240V-12V (1,55 m/5,1 Fuß)
Niederspannungsanschluss: 12-V-Batteriekabel (1,9 m/6,25 Fuß) mit Krokodilklemmen

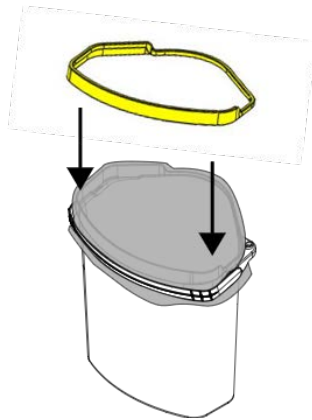
Energieverbrauch

0,04 kWh/Tag, 14 kWh/Jahr

Gebrauch

Vor dem Gebrauch

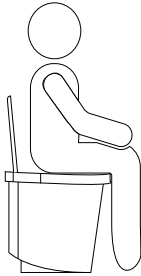
1. Stellen Sie die Funktionalität der Toilette sicher (siehe Abschnitt „Wichtige Sicherheitsanweisungen“).
2. Schließen Sie die Toilette an eine Stromquelle an (siehe Abschnitt „Anschließen an eine Stromquelle“).
3. Überprüfen Sie, ob der Lüfter funktionstüchtig ist
4. Setzen Sie einen kompostierbaren Biobeutel für Tiny in den Feststoffbehälter ein. Der Beutel muss mithilfe der gelben Klemmleiste stets fest fixiert bleiben, damit er nicht verrutscht und auch nicht im Sichtschutz hängen bleibt.



5. Legen Sie am besten ein Aufsaugtuch in den Boden des Feststoffbeutels, damit eventuelle Feuchtigkeit absorbiert wird.
5. Um für einen Frischduft zu sorgen und den Urinablauf frei von Ablagerungen zu halten, können Sie in die Urinschale einen Ablaufreiniger einsetzen.

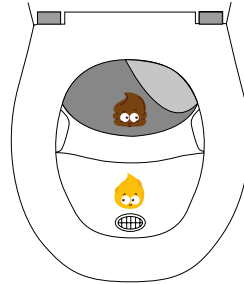
So benutzen Sie die Toilette

1.



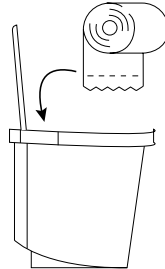
Benutzen Sie die Toilette **ausschließlich** im Sitzen. Setzen Sie sich etwas weiter zurück als gewöhnlich, damit Urin und Feststoffe voneinander getrennt werden.

2.



Sobald Sie sich setzen, schwingt der Sichtschutz nach unten weg.

3.



Das Toilettenpapier kann in den Behälter geworfen werden, der für die festen Ausscheidungen vorgesehen ist.



HINWEIS! Werfen Sie niemals brennende oder glühende Gegenstände in die Toilette!

Die Bedienungsanweisungen stehen auf www.seprett.com zum Download zur Verfügung.

Reinigung/Wartung

Separett Tiny sollte mit einem umweltfreundlichen, nicht scheuernden Reiniger gereinigt werden. Die Toilette besteht aus robustem Hochglanz-Polypropylen, das durch Scheuerreiniger oder Scheuerpulver zerkratzt werden kann.

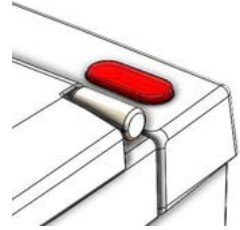
Damit eine Geruchsentwicklung im Toilettenraum vermieden wird, muss der Lüfter kontinuierlich in Betrieb sein. Spülen Sie den Filter im Lüftungskanal in regelmäßigen Abständen mit Wasser ab, um eine gute Belüftung beizubehalten.

Handhabung nach dem Gebrauch

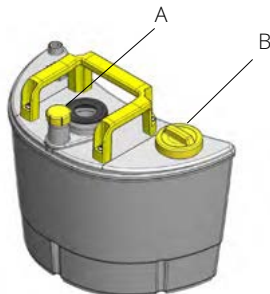
HINWEIS! Erkundigen Sie sich bei Ihrer lokalen Umweltbehörde, welche örtlichen Regelungen bei Ihnen für die Abfallentsorgung gelten. Sie sollten sich immer an die örtlichen Vorschriften halten.

Entleeren des Urintanks

Bei ganzjähriger Nutzung in einem Haushalt mit 2 Personen wird der Urintank ungefähr 2–3 Mal pro Woche geleert. Die Toilette zeigt an, wenn der Urintank voll ist, indem das Logo auf der Toilette rot aufleuchtet. Nach dem Aufleuchten der Lampe hat die Toilette noch Kapazität für etwa 1–2 Anwendungen, danach muss der Tank geleert werden. Zum Entleeren des Tanks wird der obere Teil der Toilette geöffnet. Achten Sie darauf, dass der obere Teil in der geöffneten Position einrastet, bevor Sie ihn loslassen. Führen Sie dann die folgenden Schritte aus:



1. Stellen Sie sicher, dass der kleine Deckel auf dem Tank gut schließt, und schrauben Sie dann den großen Deckel des Urintanks auf.
2. Behalten Sie die Deckel geschlossen und heben Sie den Tank aus der Toilette. Am einfachsten gelingt das Herausheben, wenn Sie den Quergriff des Tanks nutzen.
3. Tragen Sie den Tank an die Stelle, wo er geleert werden soll.
4. Schrauben Sie den kleinen Deckel des Tanks ab und lassen Sie den großen weiterhin auf dem Tank.
5. Sie leeren den Tank, indem Sie ihn mit einer Hand am Griff und mit der anderen Hand an der Unterseite des Tanks gut festhalten. Entleeren Sie den Inhalt nun aus dem kleinen Auslass, indem Sie den Tank gekippt halten.
6. Wenn der Tank leer ist, schrauben Sie den kleinen Deckel wieder an – stellen Sie sicher, dass er gut verschlossen ist.
7. Stellen Sie den Tank wieder in die Toilette und achten Sie dabei darauf, dass der Tank in korrekter Position in der Toilette steht.
8. Schrauben Sie nun den großen Deckel des Tanks wieder ab und legen Sie ihn an die dafür vorgesehene Stelle.
9. Sie schließen den oberen Teil der Toilette, indem Sie ihn zunächst zu sich ziehen, bis sich die Verriegelung löst. Schließen Sie den oberen Teil dann vorsichtig und achten Sie darauf, dass er ordnungsgemäß geschlossen ist. Sie können prüfen, dass der Tank in richtiger Position ist, indem Sie testen, ob der obere Teil federt, wenn Sie auf den vorderen Teil des Sitzes drücken. Wenn er nicht entsprechend zurückfedert, ist der Tank falsch angebracht.



A. Kleiner Deckel

B. Großer Deckel

Entleeren der Feststoffe

Feststoffe werden in dem Feststoffbehälter gesammelt, der mit einem kompostierbaren Biobeutel ausgekleidet ist. Bei ganzjähriger Verwendung in einem Haushalt mit 2 Personen wird der feste Behälter ungefähr nach 2 Wochen Gebrauch geleert. Um die Feststoffe zu entleeren, wird die Oberseite der Toilette geöffnet. Stellen Sie sicher, dass das Oberteil in der geöffneten Position einrastet, bevor Sie es loslassen. Dann machen Sie folgendes:

1. Bringen Sie den mitgelieferten Deckel auf dem Behälter an.
2. Halten Sie den Behälter am Griff fest und ziehen Sie ihn aus der Toilette.
3. Tragen Sie den Behälter zur Aufbewahrungsstelle.

Die Feststoffe können dann auf eine der folgenden Arten gehandhabt werden:

Option 1: Direktes Kompostieren in einem zugelassenen Fäkalienkompost

Option 2: Direktes Verbrennen in einer zugelassenen Verbrennungsanlage

Option 3: Sie geben den Behälter mit den Feststoffen für mindestens 12 Monate in eine Art „Winterschlaf“, indem Sie die folgenden Schritte ausführen:

- A) Stellen Sie ihn an einem geeigneten Ort im Freien in einen passenden Behälter mit dichtem Boden.
- B) Füllen Sie den Behälter mit einer Schicht Erde an (ca. 2 cm) und sorgen Sie dafür, dass der Behälter so belüftet ist, dass Luft eindringen kann.
- C) 12 Monate stehen lassen. Durch die Bodenbakterien werden die schädlichen Organismen im Kot zersetzt, sodass die Krankheitserreger in den Feststoffen unschädlich gemacht werden.
- D) Nach der Lagerungszeit kann der Inhalt in einem gewöhnlichen Kompost oder Gartenkompost kompostiert oder zusammen mit den kompostierbaren Biobeuteln vergraben werden.

Fehlerbehebung

Wenn die Lampe nicht aufleuchtet

Wenn die Kontrollleuchte des Urintanks bei vollem Tank nicht aufleuchtet, kann Folgendes überprüft werden:

- Liefert die Steckdose Strom?
- Versorgt die Batterie/Stromquelle die Toilette mit Strom?
- Sind die Kabel an den Anschlüssen auf der Rückseite der Toilette korrekt eingesteckt?
- Ist der Stecker für den Sensor an der Unterseite der Toilette ordnungsgemäß angebracht?

Wenn es zu Geruchsentwicklung kommt

Eine Trenntoilette von Separett sollte dank der gut entwickelten Urinabscheidung und des konstanten Luftstroms dafür sorgen, dass das Badezimmer geruchlos bleibt. Sollte es dennoch zu einer Geruchsentwicklung kommen, überprüfen Sie Folgendes:

- Funktioniert der Lüfter? Wenn der Lüfter nicht funktioniert, stellen Sie Folgendes sicher:
 1. Die Stromquelle liefert Strom.
 2. Der Lüfteranschluss sitzt ordnungsgemäß.
 3. Die Kabel an der Rückseite sind korrekt eingesteckt.
- Ist das Lüftungsgitter sauber?
- Ist das Gitter am Lüftungsauslass sauber?
- Entspricht die Rohrverlegung den Anweisungen?

Probleme mit Schädlingen in der Toilette.

Bei korrekter Montage und ordnungsgemäßer Verwendung von Separett Tiny sollte der Toilettenraum geruchsfrei sein. Dies bedeutet, dass die Toilette kein zusätzliches Material (wie Sägemehl) im Feststoffbehälter benötigt. Wenn Sie aber weiterhin Probleme mit Schädlingen in der Toilette haben, überprüfen Sie Folgendes:

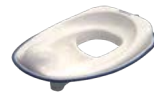
- Stellen Sie sicher, dass das Insektennetz korrekt an der Lüftung angebracht ist.
- Überprüfen Sie, ob das Lüftungsrohr unbeschädigt ist und die Verbindungsstücke dichten.

Zubehör

Ergänzungsoptionen

Trennsitz für Kinder

Der Trennsitz für Kinder ist eine perfekte Ergänzung für Ihre Trenntoilette, dank der auch die Kleinsten die Toilette benutzen können.



1101

Lüftungsset

Ein zusätzliches Lüftungsset, das zum Einsatz kommt, wenn für die Montage eine Lüftungsleitung erforderlich ist, die höher und/oder weiter von der Toilette entfernt ist.



1344

Urinableitung

Falls gewünscht, kann mit dieser Urinableitung die Ausführung Tiny mit Urintank in die Ausführung Tiny mit externer Urinsammlung umgewandelt werden.



1343

Verbrauchsmaterialien

Abflussreiniger 5er-Pack

Beim Abflussreiniger von Separett handelt es sich um ein biologisches Tab, das in die Urinschale der Toilette eingesetzt wird. Das Tab wird langsam zersetzt und die Enzyme halten den Urinablauf frei von Ablagerungen, die sonst im Laufe der Zeit den Durchfluss verstopfen können. Bei 2 Benutzern hält eine Tablette 1-2 Monate. Die Tabs sind separat im 5er-Pack erhältlich.



1118

Kompostierbare Biobeutel „Tiny“ im 10er-/20er-Pack

Die Biobeutel wurden speziell für den Feststoffbehälter im Modell Separett Tiny entwickelt. Der Beutel hält den Feststoffbehälter sauber und besteht aus Maisstärke, einem umweltfreundlichen kompostierbaren Material. Für Behälter bis zu 14,5 Liter.



1337/1338

Aufsaugtuch „Tiny“ im 10er-Pack

Das Aufsaugtuch für Tiny wird in den Boden des Fäkalienbeutels gelegt und dient zur Absorbierung eventueller Feuchtigkeit aus den festen Ausscheidungen. Dank dieses Tuchs bleibt der Inhalt trocken und somit geruchlos. Dieses Produkt wurde speziell für die Toilette Tiny konzipiert und besteht aus kompostierbarem Material.



1346

Alle weiteren Produkte finden Sie unter www.separett.com

Kontakt

Dokumentation

Diese Bedienungsanleitung und Anleitungsvideos sowie alle Abschnitte, auf die wir uns hier beziehen, stehen rund um die Uhr auf unserer Website zur Verfügung.

Kontakt

Wenn Sie Hilfe bei der Handhabung Ihrer Toilette benötigen, finden Sie auf unserer Website rund um die Uhr relevante Informationen. Darüber hinaus können Sie auch unkompliziert eine Beschwerde einreichen. Sie benötigen noch weitere Informationen? Im Bereich „Fragen & Antworten“ auf unserer Website finden Sie die Antworten auf häufig gestellte Fragen. Nehmen Sie gerne Kontakt mit uns auf, wenn Sie dann immer noch keine Antwort auf Ihre Frage finden konnten.

Website: www.separett.com

Email: info@separett.com

Phone: +46 (0)370-307200





Cher client,

Merci d'avoir choisi un produit Separett et félicitations pour ces nouvelles toilettes !

Depuis plus de 40 ans, Separett développe des solutions de toilettes au-delà des limites imposées par le manque d'eau ou par l'évacuation des eaux usées, avec pour ambition d'apporter une meilleure qualité de vie au plus grand nombre.

Aujourd'hui, nos toilettes simplifient la vie de centaines de milliers de personnes dans le monde. Pour nous, ce qui est le plus important, c'est que la solution de toilettes que vous avez choisie soit de très haute qualité, présente un niveau élevé de fiabilité et ne nécessite qu'un entretien minimal.

Nous espérons que vous apprécierez ce nouveau produit tout en faisant de grandes économies d'eau pour notre planète.

Bienvenue dans la famille Separett

Separett[®]
Waterless toilets

Garantie

Le présent produit est garanti cinq ans pour les défauts de fabrication et les matériaux.

Cependant, la garantie n'est pas applicable en cas d'usure normale, d'une utilisation ou entretien incorrects, de même que si l'acheteur a causé des dommages ou est intervenu sur le produit. Pour toute question concernant les pièces de rechange ou la garantie, contactez le distributeur Separett le plus proche (cf. liste sur www.separett.com).

Conservez la facture



Vous trouverez les conditions actuelles de garantie sur www.separett.com

Sommaire

Garantie	4
Consignes de sécurité importantes	6
Caractéristiques techniques	8
Utilisation	10
Après traitement	13
Dépannage	15
Accessoires	16
Nous contacter	17



Consignes de sécurité importantes

CONSIGNES DE SÉCURITÉ IMPORTANTES

LISEZ ATTENTIVEMENT LE MODE D'EMPLOI AVANT UTILISATION. LE FABRICANT N'EST PAS RESPONSABLE DES BLESSURES CORPORELLES OU D'AUTRES DOMMAGES SURVENANT À LA SUITE D'UNE INSTALLATION OU D'UNE UTILISATION INCORRECTE DU PRODUIT. CONSERVEZ LE MODE D'EMPLOI POUR POUVOIR LE CONSULTER ULTÉRIEUREMENT.

Sécurité

Le présent produit est utilisable par des enfants et par des personnes aux capacités physiques, sensorielles ou mentales altérées, ainsi que par des personnes ayant un manque d'expérience et de connaissances du produit, à condition qu'elles soient surveillées ou guidées dans la façon d'utiliser le produit en toute sécurité et qu'elles comprennent les risques associés à une mauvaise utilisation de celui-ci.

• L'emballage des toilettes et les matériaux d'emballage ne sont pas des jouets. Conservez les matériaux d'emballage hors de portée des enfants et jetez-les de manière appropriée.

ATTENTION ! Ne pas utiliser les toilettes si elles sont endommagées ou ne fonctionnent pas correctement.

Assurez-vous du fonctionnement des toilettes en vérifiant régulièrement les éléments suivants :

1. Que la cuve à urine est correctement positionnée
2. Que les joints sont étanches
3. Que les supports ne sont pas endommagés
4. Que le câblage n'est pas endommagé

Éviter les risques d'incendie et de brûlures

Les toilettes doivent être utilisées conformément au mode d'emploi. Aucun matériau étranger à un usage normal des toilettes ne doit y être jeté. Assurez-vous que tous les nouveaux utilisateurs des toilettes ont reçu les informations nécessaires pour les utiliser en toute sécurité. Les toilettes ne sont pas adaptées pour se tenir debout dessus, ni pour grimper dessus. Les jeunes enfants ou les enfants qui ne peuvent pas utiliser les toilettes en toute sécurité conformément à ce mode d'emploi doivent toujours les utiliser sous la surveillance d'un adulte. Ne laissez pas les enfants jouer avec le produit.

Entretien

Un entretien continu est important pour garantir le bon fonctionnement des toilettes. Vérifiez les éléments suivants lors de l'entretien :

1. Que les joints des toilettes sont intacts
2. Que la cuve à urine est correctement positionnée
3. Que l'indication de niveau de la cuve de l'urine fonctionne

Éviter les électrocutions

1. N'utilisez jamais une prise ou un cordon d'alimentation endommagé et ne laissez jamais passer le cordon sur des surfaces chaudes ou coupantes.
2. Si le cordon d'alimentation est endommagé, faites-le remplacer par le fabricant, son service après-vente ou une personne qualifiée pour éviter tout risque.

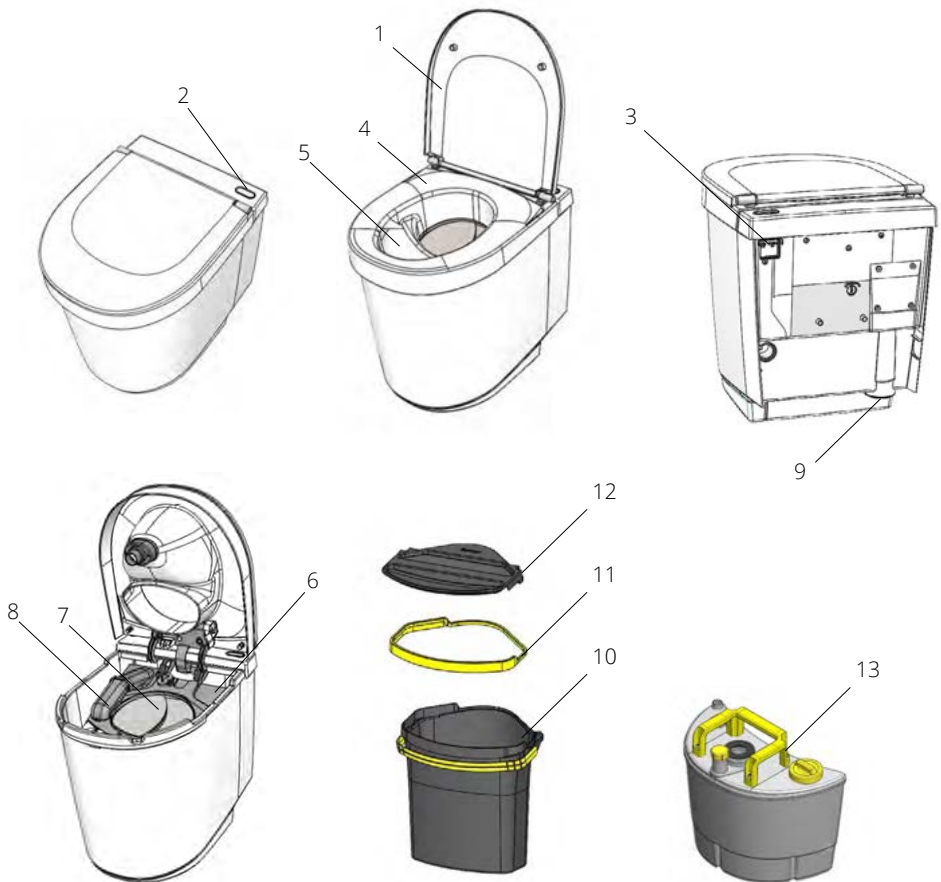
Divers

- Le présent produit est exclusivement destiné à un usage domestique ou à un nombre limité de personnes ayant une connaissance suffisante de son utilisation. Nous déconseillons de placer les toilettes à séparation d'urine dans un environnement public.
- N'apportez aucun changement au produit qui en modifierait les caractéristiques

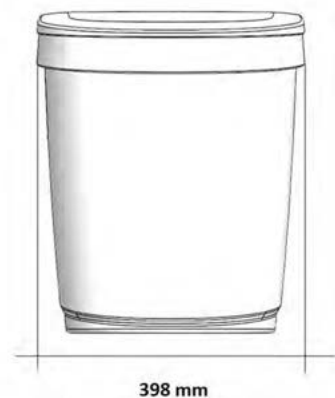
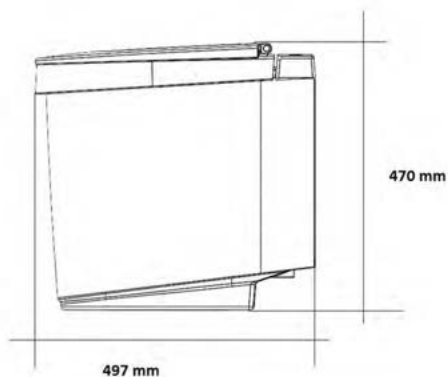
Caractéristiques techniques

Pièces des toilettes

1. Abattant
2. Niveau de vidange
3. Branchement électrique
4. Siège
5. Urinoir
6. Abattant intérieur
7. Intimité
8. Conduit de ventilation
9. Évacuation de la ventilation
10. Conteneur à déchets
11. Bande de serrage pour sac
12. Couverture pour conteneur à déchets
13. Cuve à urine



Dimensions



Hauteur : 470 mm (18,5")
Longueur : 497 mm (19,6")
Largeur : 398 mm (15,7")
Hauteur du siège : 440 à 452 mm (17,3" à 17,8")

Matériau

Matériau externe : Polypropylène brillant
Matériau interne : Polyamide et polypropylène
Joints : Thermoplastique (TPE)
Tous les matériaux sont recyclables

Poids

8,5 kg

Le volume

Cuve à urine : 7,1 L
Conteneur à déchets : 14,5 L

Dimensions des tuyaux

Gaine de ventilation : Ø 50 mm (dimensions extérieures)

Électronique

12 V, 1,6 W

Branchement électrique

Raccordement au réseau : adaptateur secteur 110 V / 240 V - 12 V (1,55 m / 5,1')
Branchement basse tension : câble de batterie 12 V (1,9 m / 6,25') avec pinces crocodile

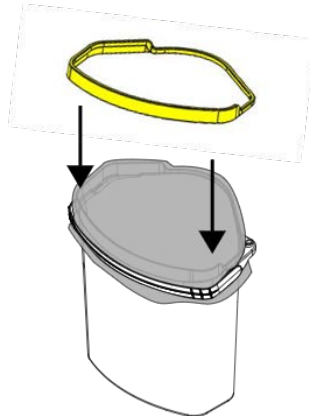
Consommation d'énergie

0,04 kWh/jour, 14 kWh/an

Utilisation

Avant utilisation

1. Assurez-vous du fonctionnement des toilettes (cf. la partie « Consignes de sécurité importantes »)
2. Raccordez les toilettes à une source d'alimentation (cf. la partie « Alimenter les toilettes »)
3. Vérifiez que le ventilateur fonctionne
4. Placez un sac biodégradable à composter pour Tiny dans le conteneur à déchets. Le sac doit toujours être maintenu en place à l'aide de la bande de serrage jaune afin qu'il soit fermement attaché et qu'il ne risque pas de se coincer.



5. Placez un tissu absorbant au fond du sac poubelle pour absorber l'humidité éventuelle
6. Placez le nettoyant de l'évacuation dans l'urinoir pour garantir une bonne odeur et maintenir l'évacuation de l'urine exempte de dépôts

Comment utiliser les toilettes

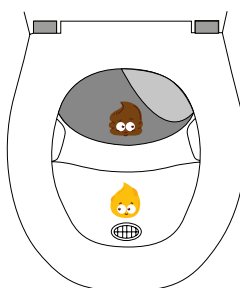
1.



Utilisez **toujours** les toilettes en position assise.

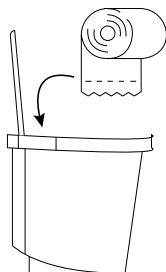
Asseyez-vous un peu plus en arrière qu'habituellement afin que l'urine et les déchets solides soient séparés.

2.



Lorsque vous vous asseyez, le paravent s'écarte sur le côté.

3.



Jetez le papier toilette dans le même sac que les déchets solides.



Note importante : ne jamais jeter d'objets en feu ou incandescents dans les toilettes !

Le mode d'emploi est téléchargeable sur www.separett.com.

Nettoyage et entretien

Nettoyez les toilettes Separett Tiny avec un détergent écologique et non abrasif. Les toilettes sont fabriquées avec du polypropylène solide et brillant que vous risquez de rayer avec un détergent abrasif ou un tampon à récurer.

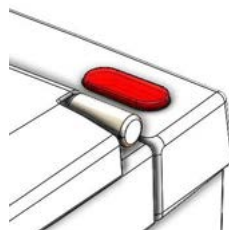
Le ventilateur doit fonctionner en continu pour éviter les odeurs dans les toilettes. Rincez régulièrement à l'eau le filtre dans la gaine de ventilation pour maintenir une bonne ventilation.

Traitement après utilisation

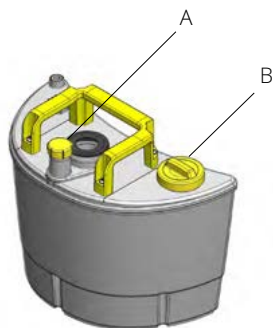
Note importante : *toujours interroger l'agence environnementale compétente à propos des règles applicables pour la gestion des déchets de votre commune. Toujours respecter les réglementations locales.*

Vidange de la cuve à urine :

Lors d'une utilisation normale par un foyer de deux personnes, la cuve à urine doit être vidangée environ deux à trois fois par semaine. Un voyant rouge allumé, sous la forme d'un pictogramme, vous avertit que la cuve à urine est pleine. Une fois le voyant allumé, les toilettes peuvent encore être utilisées une ou deux fois avant de vidanger la cuve. Pour vidanger la cuve, ouvrez la partie supérieure des toilettes. Veillez à ce que la partie supérieure soit verrouillée en position ouverte avant de la relâcher. Suivez ensuite les étapes ci-dessous :



1. Veillez à ce que le petit capuchon soit correctement fixé sur la cuve, puis vissez le gros capuchon.
2. Gardez les bouchons en place et levez la cuve hors des toilettes. Pour lever plus facilement, utilisez la poignée transversale de la cuve.
3. Transportez la cuve à l'endroit où elle va être vidangée.
4. Dévissez le petit bouchon de la cuve et maintenez le gros bouchon en place.
5. Vidangez la cuve en tenant fermement la poignée d'une main et l'autre main sous la cuve. Inclinez alors la cuve et vidangez le contenu par la petite bonde.
6. Lorsque la cuve est vide, revissez le petit bouchon et veillez à ce qu'il soit bien en place.
7. Remettez la cuve dans les toilettes, en vous assurant que le réservoir y est correctement placé.
8. Dévissez le gros bouchon de la cuve et placez-le à l'emplacement prévu à cet effet.
9. Pour fermer la partie supérieure des toilettes, tirez-la vers vous jusqu'à ce que le loquet soit libéré. Fermez ensuite soigneusement la partie supérieure et veillez à ce qu'elle ferme correctement. Pour vérifier que la cuve est correctement positionnée, vérifiez que la partie supérieure ressort lorsque vous appuyez sur la partie avant du siège. Sinon, la cuve est mal positionnée.



A. Petit bouchon
B. Gros bouchon

Vidange des déchets solides

Les déchets solides sont collectés dans le conteneur à déchets où se trouve un sac biodégradable pour le compostage. Lors de l'utilisation normale d'une maison de deux personnes, le conteneur de déchets solides doit être vidé environ une fois toutes les deux semaines. Pour vider les déchets solides, ouvrez le haut des toilettes. Assurez-vous que le dessus est verrouillé en position ouverte avant de le relâcher. Suivez ensuite les étapes ci-dessous :

1. Placez le bouchon fourni sur le conteneur.
2. Levez le conteneur par la poignée et tirez-le hors des toilettes.
3. Transportez le conteneur vers le lieu de stockage définitif.

Les déchets solides peuvent ensuite être traités de l'une des manières suivantes :

Option n° 1 : compostez-les directement dans un composteur homologué pour latrines

Option n° 2 : incinérez-les directement dans un incinérateur homologué

Option n° 3 : placez le conteneur à déchets en « hibernation » pendant au moins douze mois en suivant les étapes ci-dessous :

A) Placez le conteneur dans un endroit approprié à l'extérieur dans un récipient adapté avec un fond étanche.

B) Remplissez le conteneur d'une couche de terre (environ 2 cm), veillez à ce que le récipient soit ventilé pour que l'air pénètre.

C) Laissez reposer 12 mois. Les bactéries du sol décomposent les organismes nuisibles dans les fèces, les déchets deviennent donc inoffensifs.

D) Après la période de stockage, le contenu peut être composté avec un compost ordinaire, un compost de jardin ou enterré avec le sac à composter.

Dépannage

Si le voyant est éteint

Si le voyant de la cuve à urine est éteint lorsque celle-ci est pleine, vérifiez les points suivants :

- La prise murale est-elle alimentée ?
- Est-ce que la batterie ou la source d'alimentation fournit de l'électricité aux toilettes ?
- Le raccordement et les câbles sont-ils correctement situés à l'arrière des toilettes ?
- Est-ce que le contacteur du capteur est placé correctement sous le dessous des toilettes ?

En cas d'odeurs

Les toilettes séparatrices d'urine de Separett devraient, grâce à une séparation d'urine bien conçue et à un débit d'air constant, garantir une salle de bain sans odeurs. En cas d'odeurs, vérifiez les points suivants :

- Le ventilateur fonctionne-t-il ? Si le ventilateur ne fonctionne pas, vérifiez :
 1. qu'il est sous tension,
 2. que le connecteur du ventilateur est correctement installé,
 3. que le câblage à l'arrière est correctement installé.
- La grille de ventilation est-elle propre ?
- La grille de la sortie de la gaine de ventilation est-elle propre ?
- La gaine a-t-elle été installée en respectant les instructions ?

Problèmes de nuisibles dans les toilettes

Avec une installation correcte et une utilisation correcte de Separett Tiny, l'espace des toilettes doit être sans odeurs. Cela signifie que les toilettes n'ont pas besoin de matériau supplémentaire (comme de la sciure de bois) dans le conteneur à déchets. Malgré tout, si un problème de nuisibles persiste, vérifiez les points suivants :

- Veillez à ce que la moustiquaire soit fermement fixée à la gaine de ventilation
- Vérifiez que la gaine de ventilation est complète et a des joints étanches

Accessoires

Compléter avec

Siège enfant à séparation d'urine

Le siège enfant à séparation d'urine est un complément idéal pour les toilettes à séparation d'urine qui permet aux plus petits d'utiliser eux aussi les toilettes.



1101

Kit de ventilation

Kit de ventilation supplémentaire au cas où l'installation nécessite une gaine de ventilation plus haute ou plus éloignée des toilettes.



1344

Flexible pour l'urine

Tiny équipée d'une cuve à urine est convertible en Tiny avec collecte externe de l'urine, si vous le souhaitez, avec cette tuyauterie d'urine.



1343

Consommables

5 paquets de nettoyant de l'évacuation

Le nettoyant de l'évacuation est une pastille biologique à placer dans l'urinoir des toilettes. La pastille se décompose lentement et les enzymes maintiennent l'évacuation de l'urinoir exempte de dépôts qui, avec le temps, risquent d'arrêter l'écoulement. Avec deux personnes utilisant les toilettes, une tablette dure 1 à 2 mois. Vous pouvez acheter les pastilles séparément en conditionnement de 5.



1118

Sacs biodégradables à composter Tiny lot de 10/20

Le sac biodégradable est spécialement conçu pour s'adapter au conteneur à déchets de Separett Tiny. Le sac aide à garder le conteneur à déchets propre. Il est fabriqué avec de l'amidon de maïs, un matériau à composter et qui est respectueux de l'environnement. Pour un conteneur jusqu'à 14,5 l.



1337/1338

Tissus absorbants Tiny lot de 10

Le tissu absorbant Tiny est placé au fond du sac de latrines et est utilisé pour absorber l'humidité des déchets. Le tissu contribue à garder le contenu sec et donc inodore. Ce produit est spécialement adapté pour les toilettes Tiny. Fabriqué avec du matériau à composter.



1346

Voir tous les articles sur www.separett.com

Nous contacter

Documentation

Ce mode d'emploi et des vidéos d'instructions sont disponibles 24 heures sur 24 sur notre site Web ainsi que toutes les parties mentionnées dans ce mode d'emploi.

Nous contacter

Si vous avez besoin d'aide avec vos toilettes, consultez notre site Web : vous y trouverez des informations 24 heures sur 24 et pourrez également facilement y signaler, s'il y a lieu, un défaut. Si vous ne trouvez pas ce que vous cherchez, rendez-vous dans la rubrique « Questions et réponses » de notre site Web, où vous trouverez les réponses aux questions les plus courantes. Si votre question reste toujours sans réponse, n'hésitez pas à nous contacter.

Site Web : www.separett.com
Courriel : info@separett.com
Téléphone : (+46) 370 30 72 00





Estimado cliente,

Gracias por elegir un producto de Separett y felicitaciones por su nuevo inodoro.

En Separett hemos trabajado por más de 40 años en el desarrollo de soluciones para inodoros que no dependan de tener acceso a agua o alcantarillado, dado que nuestra visión es contribuir a una mejor calidad de vida para todos.

Hoy en día, nuestras soluciones para inodoros hacen más fácil la vida de cientos de miles de personas en todo el mundo. Para nosotros, es sumamente importante que la solución para inodoros que usted eligió sea de alta calidad, tenga un grado elevado de confiabilidad y requiera un mantenimiento mínimo.

Esperamos que se sienta satisfecho con el uso de su nuevo producto, el cual le permitirá a la vez ahorrar una cantidad considerable de agua en beneficio de nuestro planeta.

Le damos la bienvenida a la familia Separett

Separett[®]
Waterless toilets

Garantie

Le présent produit est garanti cinq ans pour les défauts de fabrication et les matériaux.

Cependant, la garantie n'est pas applicable en cas d'usure normale, d'une utilisation ou entretien incorrects, de même que si l'acheteur a causé des dommages ou est intervenu sur le produit. Pour toute question concernant les pièces de rechange ou la garantie, contactez le distributeur Separett le plus proche (cf. liste sur www.separett.com).

Conservez la facture



Lieu de réception

Vous trouverez les conditions actuelles de garantie sur www.separett.com

Contenido

Garantía	4
Instrucciones importantes de seguridad	6
Datos técnicos	8
Uso del inodoro	10
Disposición de los desechos	13
Solución de problemas	15
Accesorios	16
Contáctenos	17



Instrucciones importantes de seguridad

INSTRUCCIONES IMPORTANTES DE SEGURIDAD

LEA LAS INSTRUCCIONES DETENIDAMENTE ANTES DE USAR EL INODORO. EL FABRICANTE NO ES RESPONSABLE DE LESIONES PERSONALES U OTROS DAÑOS POSIBLES QUE SURJAN COMO CONSECUENCIA DE UNA INSTALACIÓN O DE UN USO INCORRECTOS. LE SUGERIMOS QUE CONSERVE ESTE MANUAL DE USUARIO PARA FUTURAS CONSULTAS.

Seguridad

Este producto puede ser utilizado por niños y por personas con alguna discapacidad física, sensorial o mental, así como por personas sin experiencia ni conocimientos sobre el producto, siempre que sean supervisados o instruidos sobre cómo usar el producto de manera segura y comprendan los riesgos asociados con su uso incorrecto.

- El embalaje y los materiales de empaque del inodoro no son juguetes. Mantenga el material de empaque fuera del alcance de los niños y deséchelo apropiadamente.

¡ADVERTENCIA! No use el inodoro si está dañado o no funciona correctamente.

Asegúrese de que el inodoro funcione verificando periódicamente lo siguiente:

1. que el tanque para orina esté colocado correctamente;
2. que las juntas estén funcionando;
3. que no existan daños en las piezas de soporte;
4. que no haya daños en el cableado.

Evite el riesgo de incendio/quemaduras

El inodoro debe usarse de conformidad con el manual de usuario. No se deben arrojar al inodoro materiales que no estén relacionados con su uso. Asegúrese de que todas las personas que utilicen el inodoro por primera vez reciban la información necesaria para usarlo de manera segura. El inodoro no está adaptado para estar de pie sobre él o subirse en él. Los niños pequeños o los niños que no pueden usar el inodoro de manera segura conforme a este manual siempre deben usar el inodoro bajo la supervisión de un adulto. No permita que los niños jueguen con el producto.

Mantenimiento

El mantenimiento continuo es importante para garantizar el funcionamiento del inodoro. Durante el mantenimiento, compruebe lo siguiente:

1. que las juntas del inodoro estén en buen estado;
2. que el tanque para orina esté colocado de manera correcta;
3. que el indicador de nivel en el tanque para orina funcione.

Evite descargas eléctricas

1. Nunca use un cable de alimentación o un enchufe dañados y nunca permita que el cable quede colocado sobre superficies calientes o puntiagudas.
2. Si el cable de alimentación está dañado, debe ser reemplazado por el fabricante, sus agentes de servicio o una persona similarmente calificada, para evitar exponerse a riesgos.

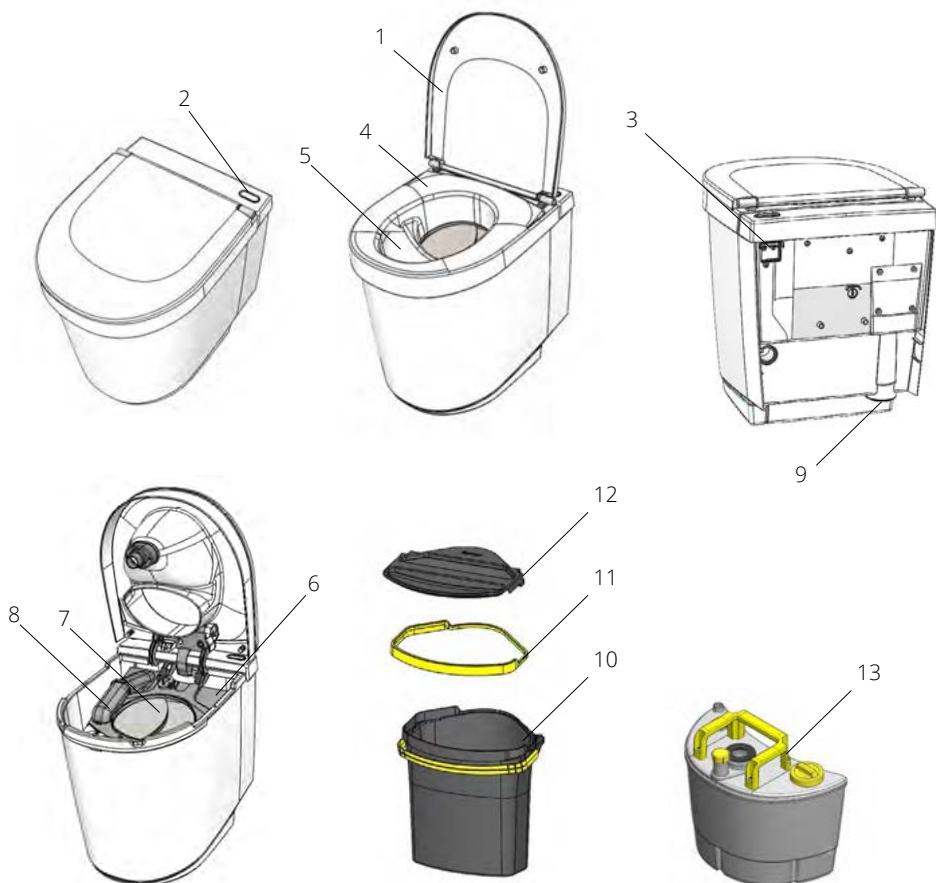
Instrucciones adicionales

- Este producto es idóneo únicamente para uso doméstico o para un número limitado de personas que tengan los conocimientos adecuados para usarlo debidamente. No recomendamos colocar inodoros con separador de orina en un entorno público.
- No realice ninguna modificación al producto que cambie las especificaciones del mismo.

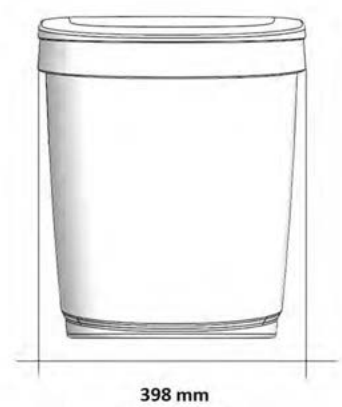
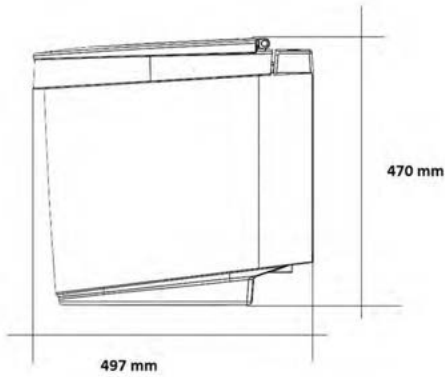
Datos técnicos

Partes del inodoro

- 1. Tapa
- 2. Indicador de vaciado
- 3. Conexión eléctrica
- 4. Asiento
- 5. Cuenco para orina
- 6. Tapa interior
- 7. Tapadera de desechos
- 8. Conducto del ventilador
- 9. Salida de ventilación
- 10. Contenedor de desechos
- 11. Aro de sujeción de la bolsa
- 12. Tapa del contenedor de desechos
- 13. Tanque para orina



Medidas



Altura: 470 mm (18,5 pulgadas)
Longitud: 497 mm (19,6 pulgadas)
Anchura: 398 mm (15,7 pulgadas)
Altura del asiento: 440 – 452 mm (17,3 – 17,8 pulgadas)

Materiales

Material exterior: Polipropileno de alto brillo
Material interior: Poliamida y polipropileno
Juntas: Termoplástico (TPE)
Todos los materiales son reciclables

Peso

8,5 kg

Volumen

Tanque para orina: 7,1 L
Contenedor de desechos: 14,5 L

Dimensiones de la tubería

Tubería de ventilación: 50 mm (diámetro exterior)

Equipo electrónico

12 V, 1,6 W

Conexión eléctrica

Conexión de red: Adaptador de CA 110/240 V-12 V (1,55 m/5,1 pies)
Conexión de baja tensión: Cable de batería de 12 V (1,9 m/6,25 pies) con pinzas de cocodrilo

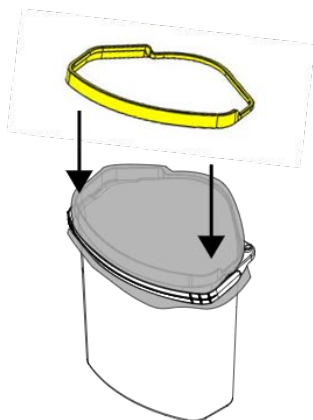
Consumo de energía

0,04 kW h/día, 14 kW h/año

Uso del inodoro

Antes de usar el inodoro

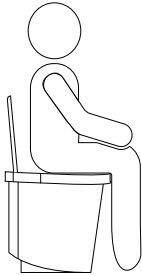
1. Cerciérese del funcionamiento seguro del inodoro (consulte la sección «Instrucciones importantes de seguridad»).
2. Conecte el inodoro a una fuente de alimentación (consulte la sección «Conectar el inodoro a la corriente eléctrica»).
3. Verifique que el ventilador esté funcionando.
4. Coloque una bolsa biodegradable para Tiny en el contenedor de desechos. La bolsa siempre debe mantenerse en su lugar con el aro de sujeción amarillo, para asegurar que la bolsa esté debidamente sujeta y no se corra el riesgo de que se atasque en la tapadera de desechos.



5. Coloque apropiadamente una toalla absorbente en el fondo de la bolsa de desechos, de manera que absorba la humedad que llegara a presentarse.
6. Coloque apropiadamente un purificador de aguas residuales en el cuenco para orina, a fin de obtener un aroma fresco y mantener el desagüe de orina libre de sedimentos.

Instrucciones para el uso del inodoro

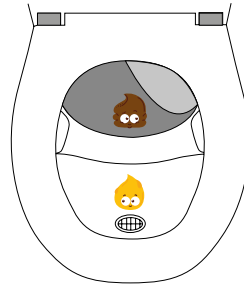
1.



Use **siempre** el inodoro en posición sentada.

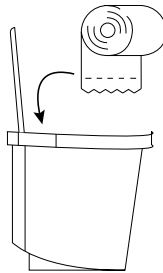
Siéntese un poco más atrás de lo habitual para que la orina y los desechos sólidos se separen.

2.



Al sentarse, la tapadera de desechos se hace a un lado.

3.



El papel higiénico se puede tirar al mismo contenedor que los desechos sólidos.



¡IMPORTANTE! Nunca arroje objetos en llamas o incandescentes al inodoro.

Las guías de usuario están disponibles para ser descargadas en www.separett.com.

Limpieza y mantenimiento

Separett Tiny debe limpiarse con un detergente ecológico y no abrasivo. El inodoro está hecho de un material de polipropileno duro y de alto brillo, que corre el riesgo de rayarse si se usa un detergente o una fibra que sean abrasivos.

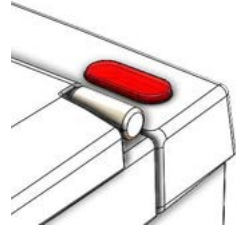
El ventilador debe funcionar continuamente para evitar olores en el sitio del inodoro. Enjuague con regularidad el filtro en el conducto del ventilador utilizando agua, para mantener una buena ventilación.

Disposición de los desechos

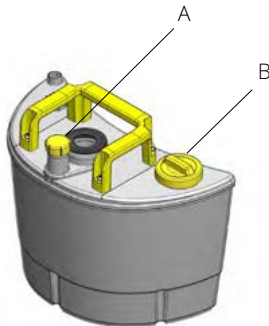
¡IMPORTANTE! Pregunte siempre a las autoridades de medioambiente qué normas se aplican a la gestión de desechos en su región. Observe siempre las normas locales.

Vaciado del tanque para orina:

El tanque para orina se debe vaciar aproximadamente de 2 a 3 veces por semana, si el inodoro se usa permanentemente en una casa donde habiten 2 personas. El inodoro anuncia cuando el tanque para orina está lleno, iluminando de color rojo el logo del inodoro. Una vez que este indicador se encienda, el inodoro puede ser usado como máximo 1 o 2 veces, y entonces el tanque debe vaciarse. Para vaciar el tanque, abra la parte superior del inodoro. Compruebe que la parte superior esté asegurada en posición abierta antes de soltarla. Luego siga los pasos descritos a continuación:



1. Asegúrese de que la tapa pequeña del tanque esté cerrada firmemente y coloque posteriormente la tapa grande del tanque, enroscándola para cerrarla firmemente.
2. Mantenga las tapas en su lugar y saque el tanque del inodoro. Para levantarlo más fácilmente, use el asa transversal del tanque al momento de alzarlo.
3. Lleve el tanque al lugar donde se va a vaciar.
4. Desenrosque y quite la tapa pequeña del tanque; mantenga puesta la tapa grande.
5. Vacíe el tanque sosteniéndolo firmemente del asa con una mano, y del lado inferior del tanque con la otra mano. Incline el tanque y vacíe el contenido por la apertura pequeña.
6. Cuando el tanque esté vacío, coloque y enrosque la tapa pequeña. Asegúrese de que esté firmemente cerrada.
7. Vuelva a colocar el tanque dentro del inodoro, asegurándose de que se haya colocado correctamente.
8. Desenrosque y quite la tapa grande del tanque, y guárdela en el lugar que haya designado para tal efecto.
9. Para cerrar la parte superior del inodoro, tire de la parte superior hacia usted hasta que se libere el seguro. Luego cierre con cuidado la parte superior, y asegúrese de que se cerró debidamente. Para verificar que el tanque está colocado correctamente, pruebe si la parte superior se hunde cuando presiona la parte delantera del asiento. Si no cede, el tanque está colocado indebidamente.



A. Tapa pequeña
B. Tapa grande

Vaciado de desechos sólidos

Los desechos sólidos se recogen en el contenedor de desechos, cuyo interior debe estar cubierto con una bolsa biodegradable. Los desechos sólidos se deben vaciar aproximadamente 1 vez por dos semanas, si el inodoro se usa permanentemente en una casa donde habiten 2 personas. Para vaciar los desechos sólidos abra la parte superior del inodoro. Compruebe que la parte superior esté asegurada en posición abierta antes de soltarla. Luego siga los pasos descritos a continuación:

1. Coloque la tapa suministrada en el contenedor.
2. Levante el contenedor por el asa y saque el contenedor del inodoro.
3. Lleve el contenedor al depósito final de los desechos.

Posteriormente, se puede disponer de los desechos sólidos mediante alguno de los siguientes procedimientos:

Opción 1: Compostarlos inmediatamente en un compostaje de letrina autorizado

Opción 2: Incinerarlos inmediatamente en un incinerador autorizado

Opción 3: Conserve un recipiente con los desechos en «hibernación» durante al menos 12 meses, siguiendo los pasos descritos a continuación:

- A) Coloque los desechos al aire libre en un lugar idóneo, dentro de un recipiente adecuado con un fondo impermeable.
- B) Llene el recipiente con una capa de tierra (aprox. 2 cm), y asegúrese de que el recipiente esté ventilado para que entre aire.
- C) Deje reposar los desechos durante 12 meses. Las bacterias del suelo descomponen los organismos nocivos en las heces, por lo que los desechos se vuelven inofensivos.
- D) Después del período de almacenamiento, el contenido se puede compostar en un compostaje ordinario o de jardín, o enterrarse junto con la bolsa biodegradable.

Solución de problemas

Si el indicador no se enciende

Si el indicador del tanque para orina no se enciende cuando el tanque está lleno, se puede verificar lo siguiente:

- ¿Hay corriente en el enchufe de la pared?
- ¿La batería/fuente de alimentación suministra energía eléctrica al inodoro?
- ¿La conexión y los cables están debidamente conectados en la parte posterior del inodoro?
- ¿El enchufe del sensor está debidamente colocado en el lado inferior del inodoro?

Si se presentan olores

Un inodoro separador de orina de Separett debería garantizar que el baño esté libre de olores, gracias a la separación de orina bien diseñada y su flujo de aire constante. En caso de que se llegaran a presentar olores, compruebe lo siguiente:

- ¿El ventilador funciona? Si el ventilador no funciona, asegúrese de que:
 1. Exista corriente eléctrica proveniente de la fuente de alimentación.
 2. El enchufe del ventilador esté conectado correctamente.
 3. El cableado en la parte posterior esté conectado correctamente.
- ¿La rejilla de ventilación está limpia?
- ¿La rejilla de la salida de ventilación está limpia?
- ¿El montaje de la tubería se ha realizado siguiendo las indicaciones?

Problemas con plagas en el inodoro

Con la instalación correcta y el uso adecuado de Separett Tiny, el sitio del inodoro debe estar libre de olores. Esto significa que el inodoro no necesita ningún material suplementario (p. ej. aserrín) en el contenedor de desechos. No obstante, si tiene problemas con plagas en el inodoro, verifique lo siguiente:

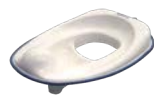
- Asegúrese de que el mosquitero esté firmemente sujetado a la ventilación
- Verifique que el tubo de ventilación esté intacto y sus conexiones estén firmemente ajustadas

Accesoires

Complementos para su inodoro

Asiento para niños con separador de orina

El asiento para niños con separador de orina es un complemento perfecto para su inodoro que soluciona la separación de los desechos líquidos. Este asiento permitirá que incluso los más pequeños puedan utilizar el inodoro.



1101

Kit de ventilación

Kit de ventilación complementario utilizado en instalaciones que requieren una tubería de ventilación que se extienda más alto y/o más lejos del inodoro.



1344

Cañería para orina

Si usted así lo desea, su inodoro Tiny con tanque para orina se puede transformar en un inodoro Tiny con recolección externa de orina, empleando esta cañería para orina.



1343

Consumibles

Purificador de aguas residuales (paquete con 5 unidades)

El purificador de aguas residuales de Separett es una tableta biológica que se coloca en el cuenco para orina del inodoro. La tableta se descompone lentamente y las enzimas mantienen el desagüe de la orina libre de sedimentos, evitando así el riesgo de que con el tiempo obstruyan el flujo. Con 2 usuarios, una tableta dura de 1 a 2 meses. Las tabletas se pueden comprar por separado en paquetes de 5.



1118

Bolsas biodegradables Tiny (paquete de 10/20 unidades)

Estas bolsas biodegradables están especialmente diseñadas para amoldarse al contenedor de desechos del inodoro Tiny de Separett y ayudan a mantener limpio dicho contenedor. Las bolsas están hechas de almidón de maíz, un material biodegradable y ecológico. Para contenedores de hasta 14,5 litros.



1337/1338

Toallas absorbentes Tiny (paquete de 10 unidades)

Las toallas absorbentes Tiny se colocan en el fondo de la bolsa de letrina, y se emplean para absorber la humedad que llegara a desprenderse de los desechos. Las toallas ayudan a mantener el contenido seco y, por lo tanto, libre de olores. Este producto está especialmente adaptado para el inodoro Tiny y está hecho de material biodegradable.



1346

Puede ver todos nuestros artículos en www.separett.com

Contáctenos

Documentación

Este manual de usuario y los videos instructivos están disponibles las 24 horas del día en nuestro sitio web, junto con todas las secciones a las que se hace referencia en este manual.

Contáctenos

Si necesita ayuda con su inodoro, podrá encontrar información al respecto las 24 horas del día en nuestro sitio web, donde además podrá reportar fallas de manera sencilla. ¿No encuentra lo que busca? Visite la sección de preguntas frecuentes en nuestro sitio web, donde encontrará respuestas a las preguntas más comunes. Si no encuentra la respuesta a su pregunta, no dude en contactarnos:

Global

Sitio web: www.separett.com
Correo electrónico: info@separett.com
Teléfono: +46 (0)370 - 30 72 00

Información de contacto en los EE. UU.

Sitio web: www.separett.us
Correo electrónico: contact.us@separett.com
Teléfono: +1(800) 975-6740



Separett[®]
Waterless toilets

www.separett.com