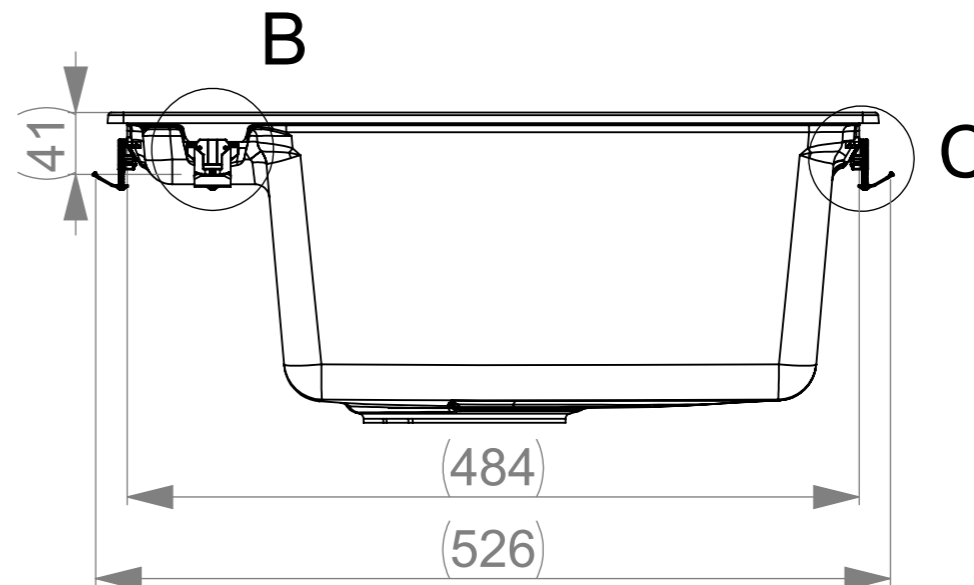
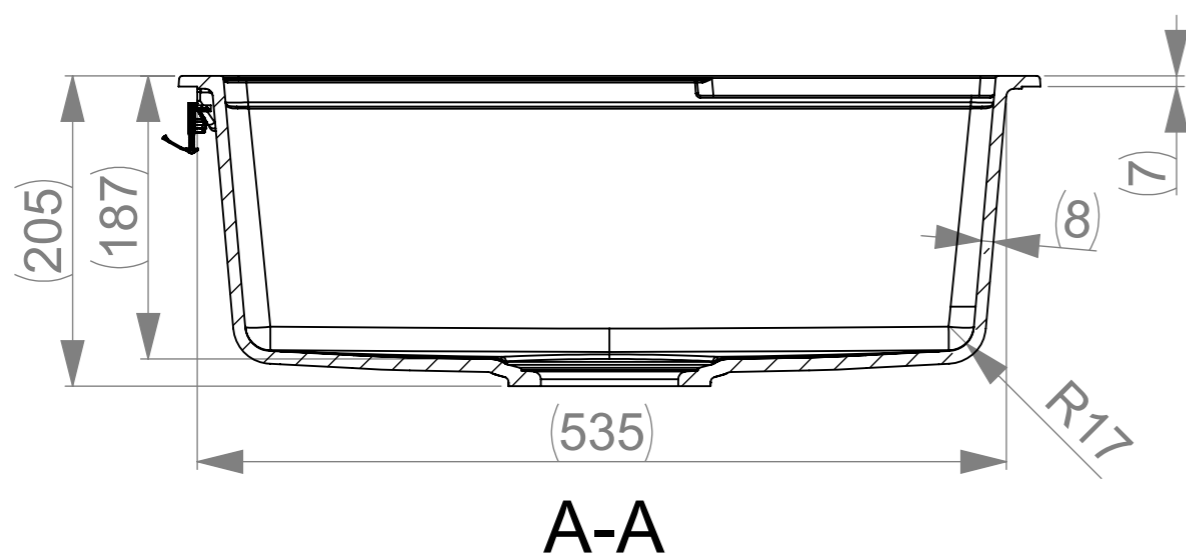


MAIN DIMENSIONS

Change description
F-version removed

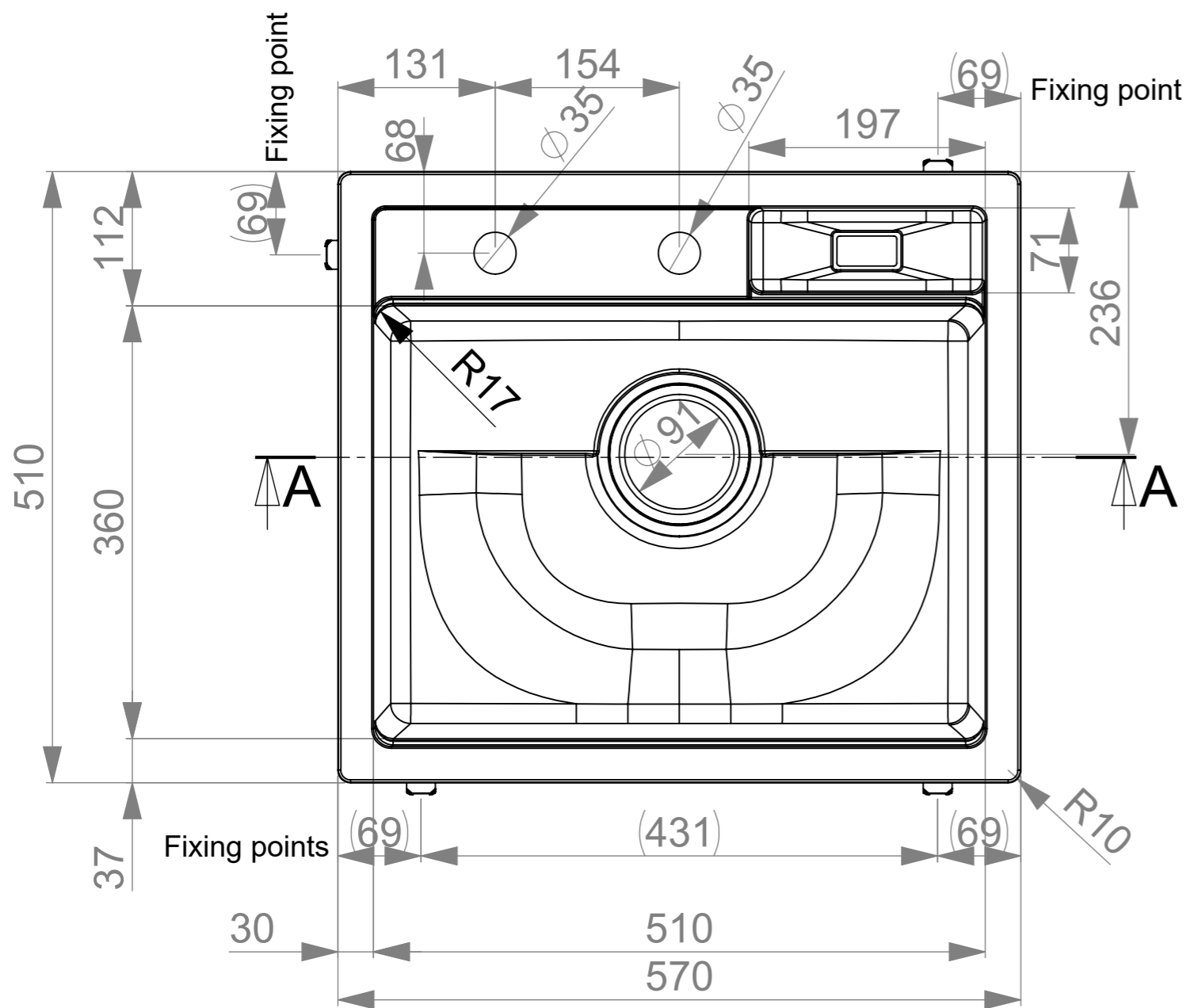
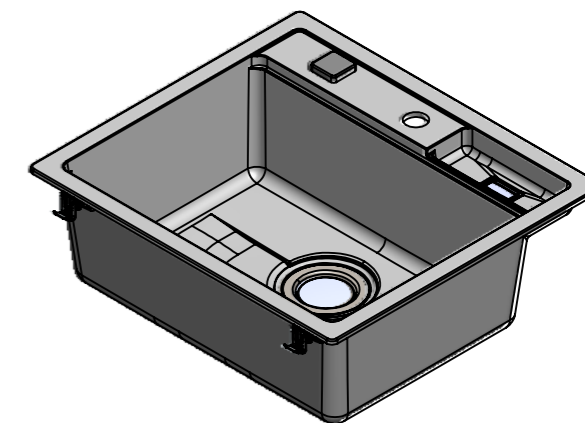
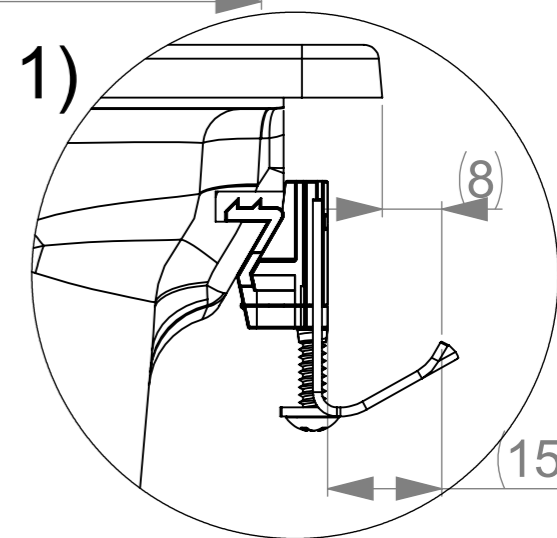
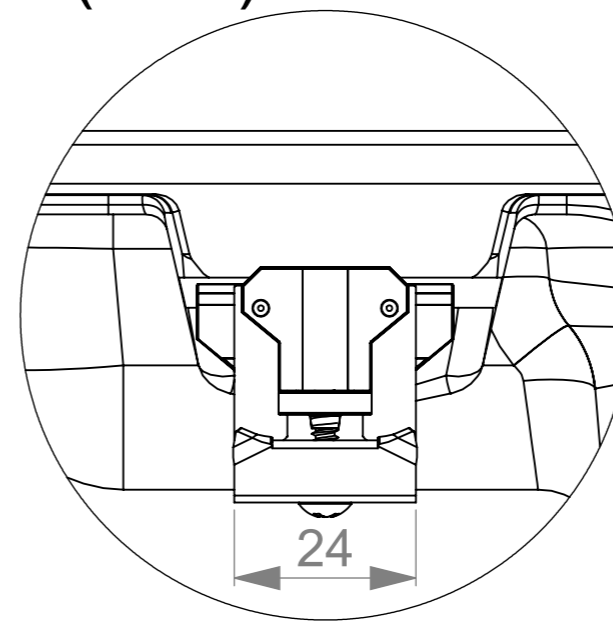
Date
12.05.2021

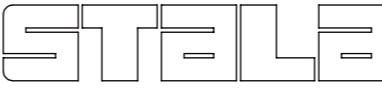

Designed by
VS



B (1 : 1)

C (1 : 1)



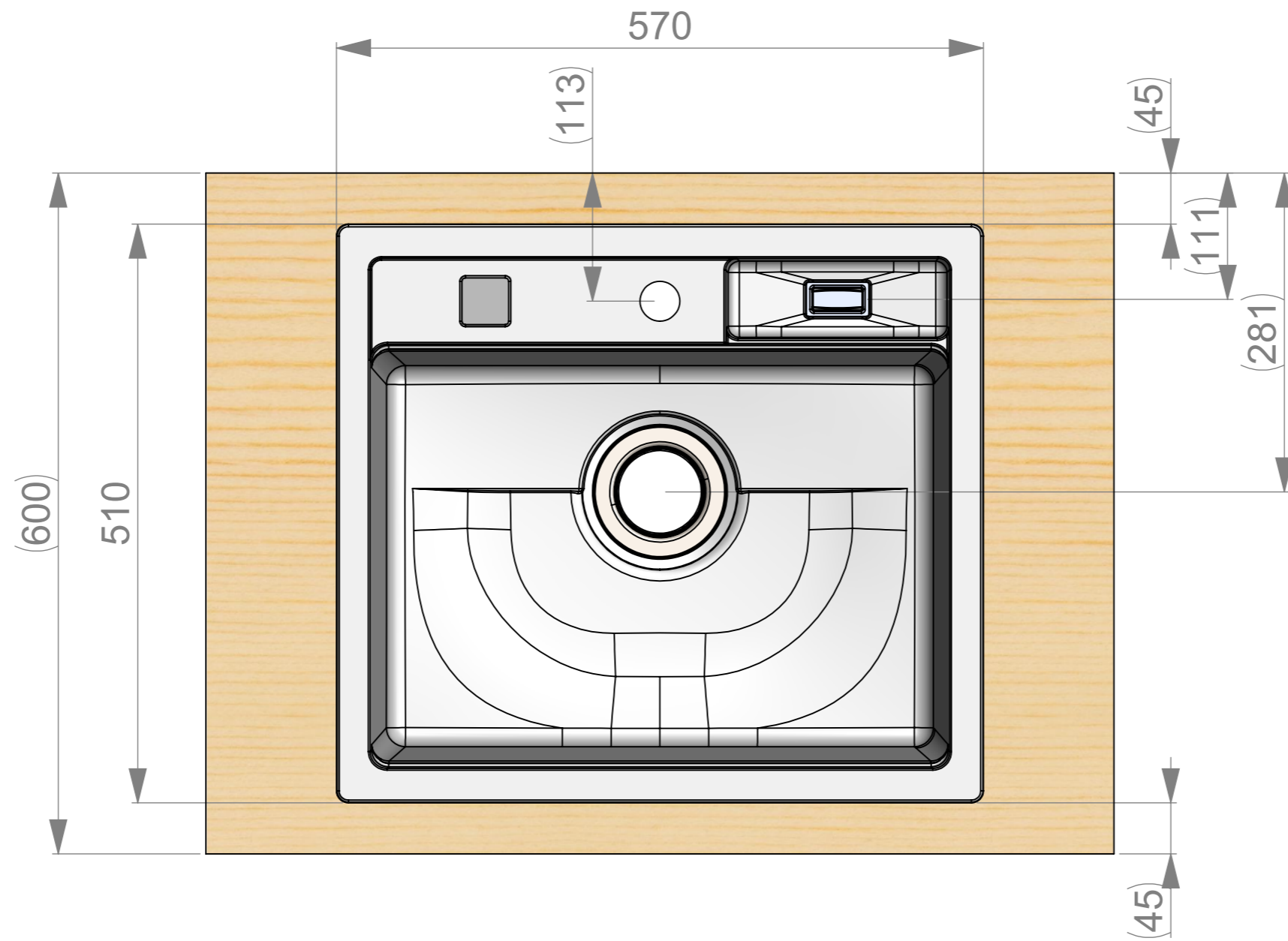
 www.stala.com	General tolerance 	Designed by JP	Date 23.02.2012
	Size A3	Scale 1:5	Approved by
Description CEG51-57 Technical Data Sheet		Drawing number 14017	Sheet/sheets 1/6
			Rev E

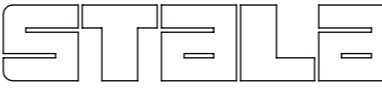

WORKTOP ASSEMBLY

Change description
F-version removed

Date
12.05.2021

Designed by
VS



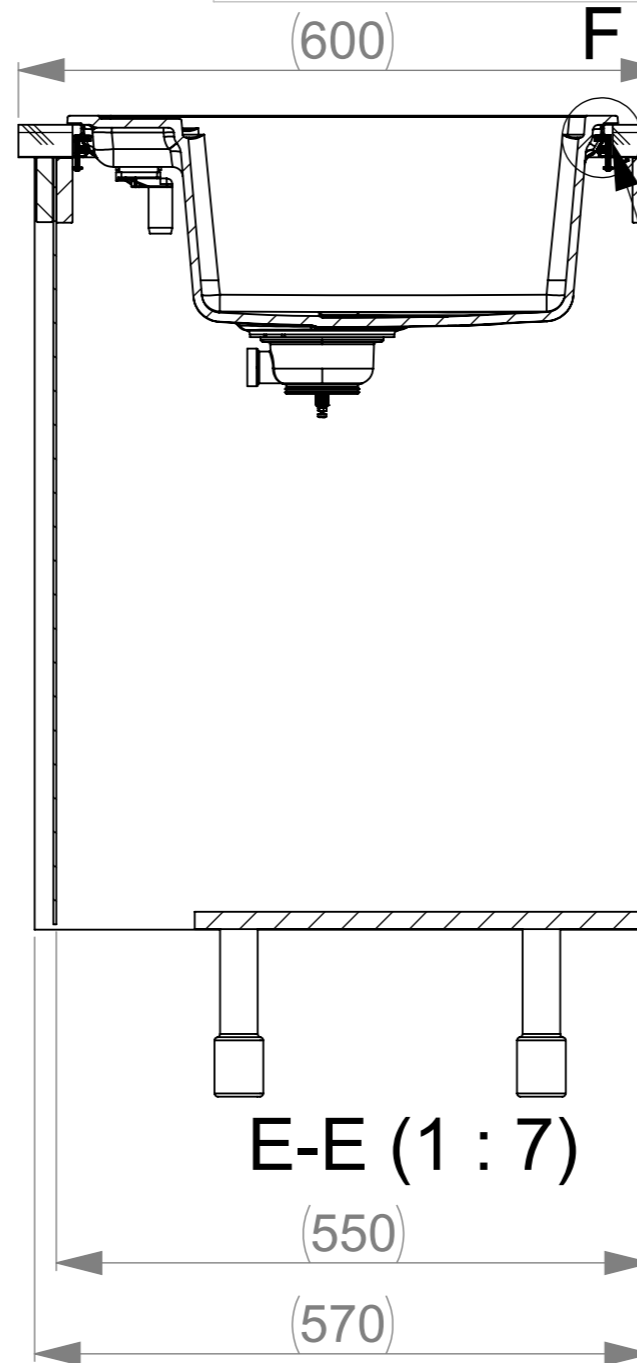
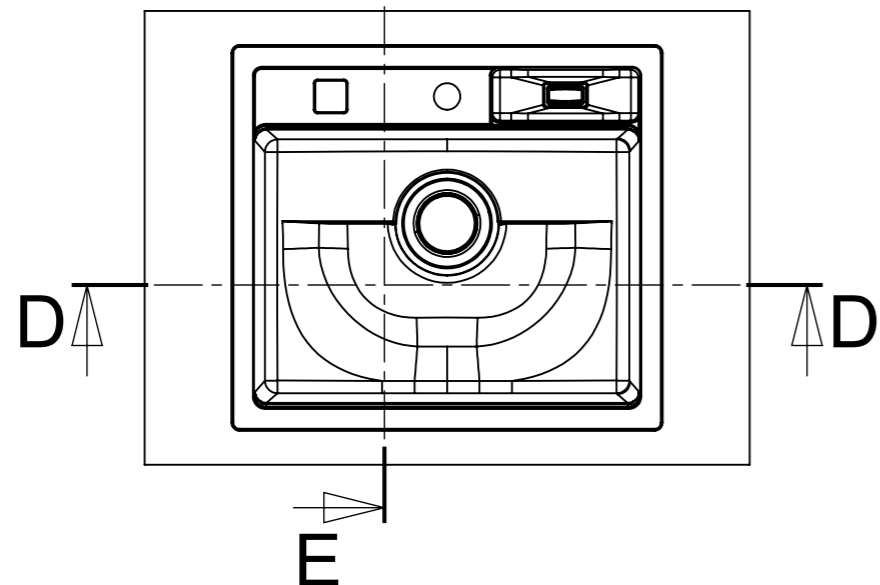
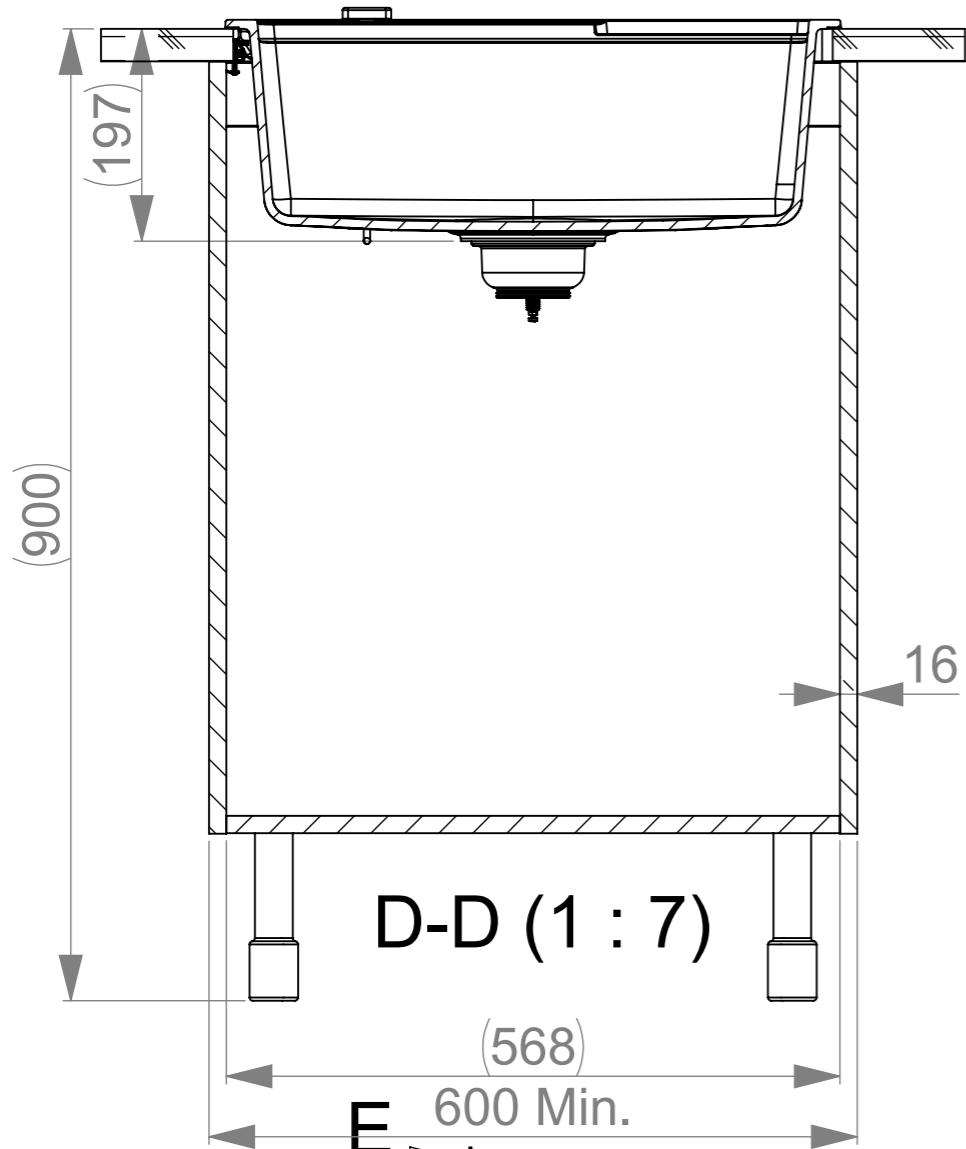
 www.stala.com	 Size A3	Scale 1:5	General tolerance	Designed by JP	Date 23.02.2012
	Description CEG51-57 Technical Data Sheet		Item	Approved by	Date
			Drawing number 14017	Sheet/sheets 2/6	Rev E

SPACE REQUIREMENTS

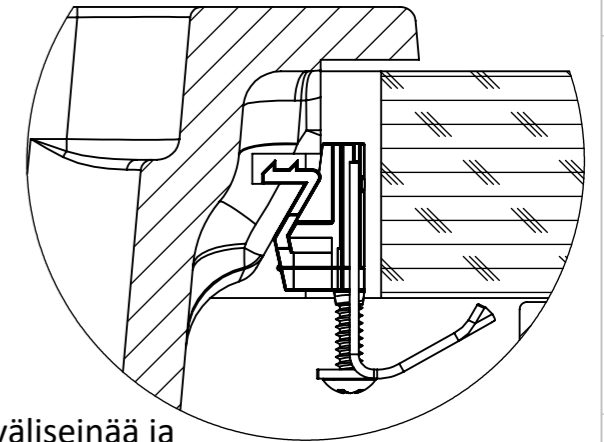
Change description
F-version removed

Date
12.05.2021

Designed by
VS



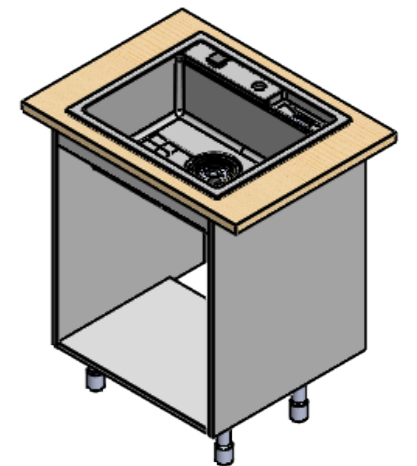
F (1 : 1)

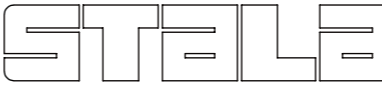


Huom!
Tarvittaessa kaapin väliseinää ja etu/takalistaa lovetettava kiinnikkeitä varten ja pesuallas on kiinnitettävä ennen työtason asennusta.

Obs!
Vid behov måste en inskärning för hofästena göras i skåpets mellanvägg och förbindningslist och diskbänken måste fästas innan du monterar bänkskivan.

Notice!
The partition walls and front/back list of the cupboard must be notched for the sink mountings when needed and the sink must be fastened before installing the worktop.



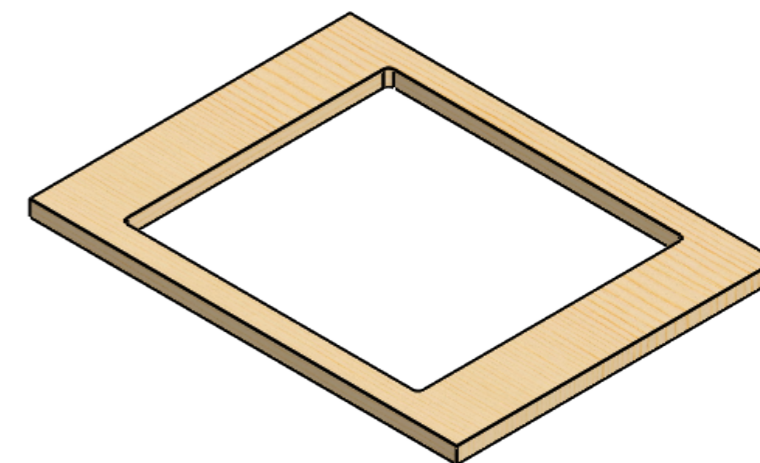
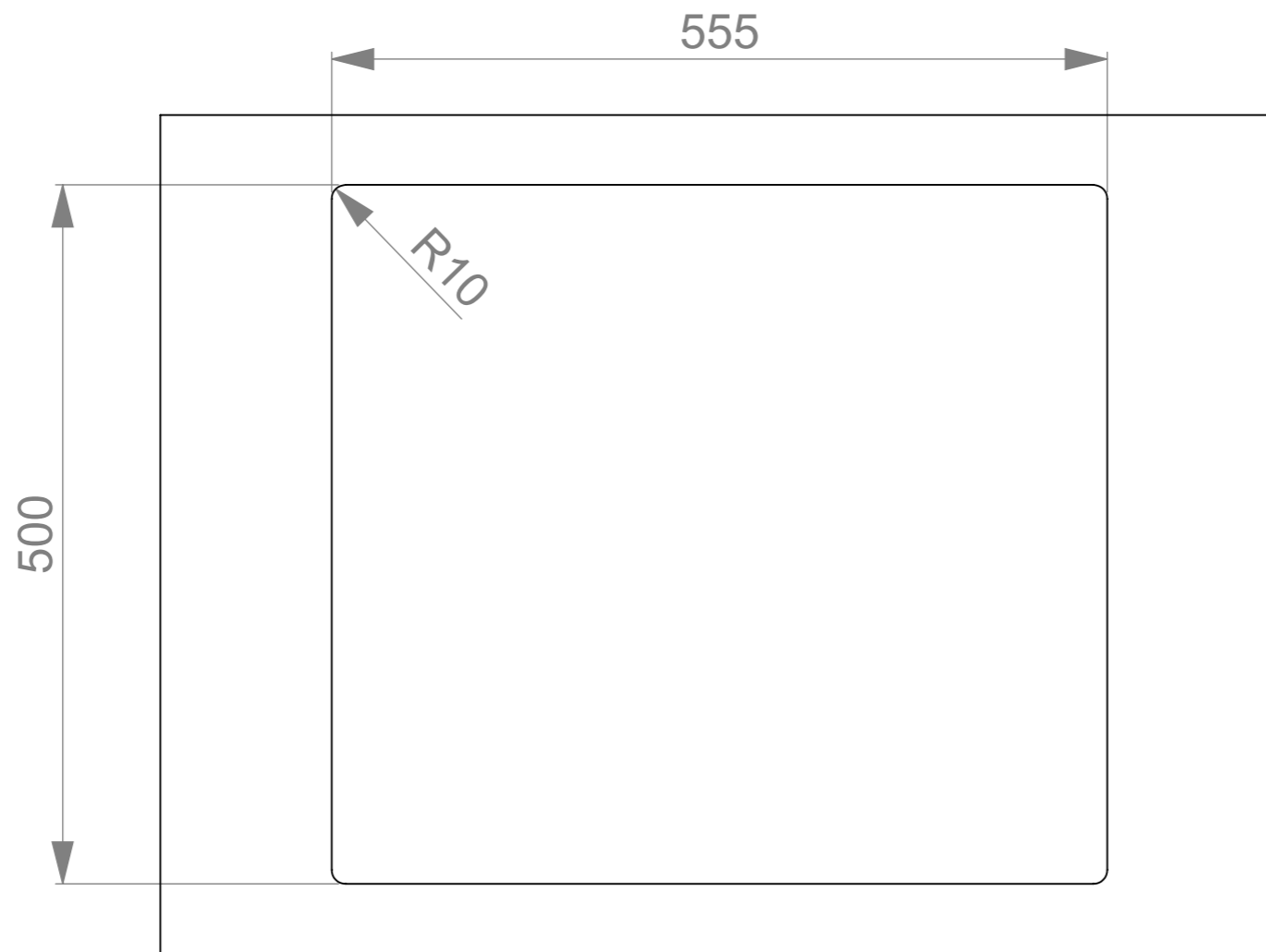
 www.stala.com	General tolerance Size A3 Scale 1:10	Item Description CEG51-57 Technical Data Sheet	Designed by JP	Date 23.02.2012
	Drawing number 14017	Sheet/sheets 3/6	Date 12.05.2021	Rev E

CUT-OUT FOR BUILT ON

Change description
F-version removed

Date
12.05.2021

Designed by
VS



	General tolerance	Designed by JP	Date 23.02.2012
	Size A3	Scale 1:5	Approved by
 www.stala.com	Description CEG51-57	Drawing number 14017	Sheet/sheets 4/6
	Technical Data Sheet		Rev E

