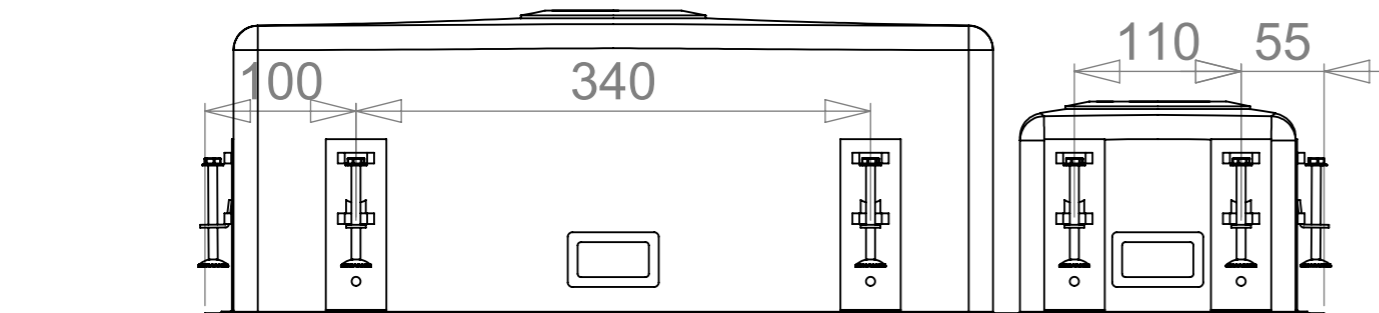
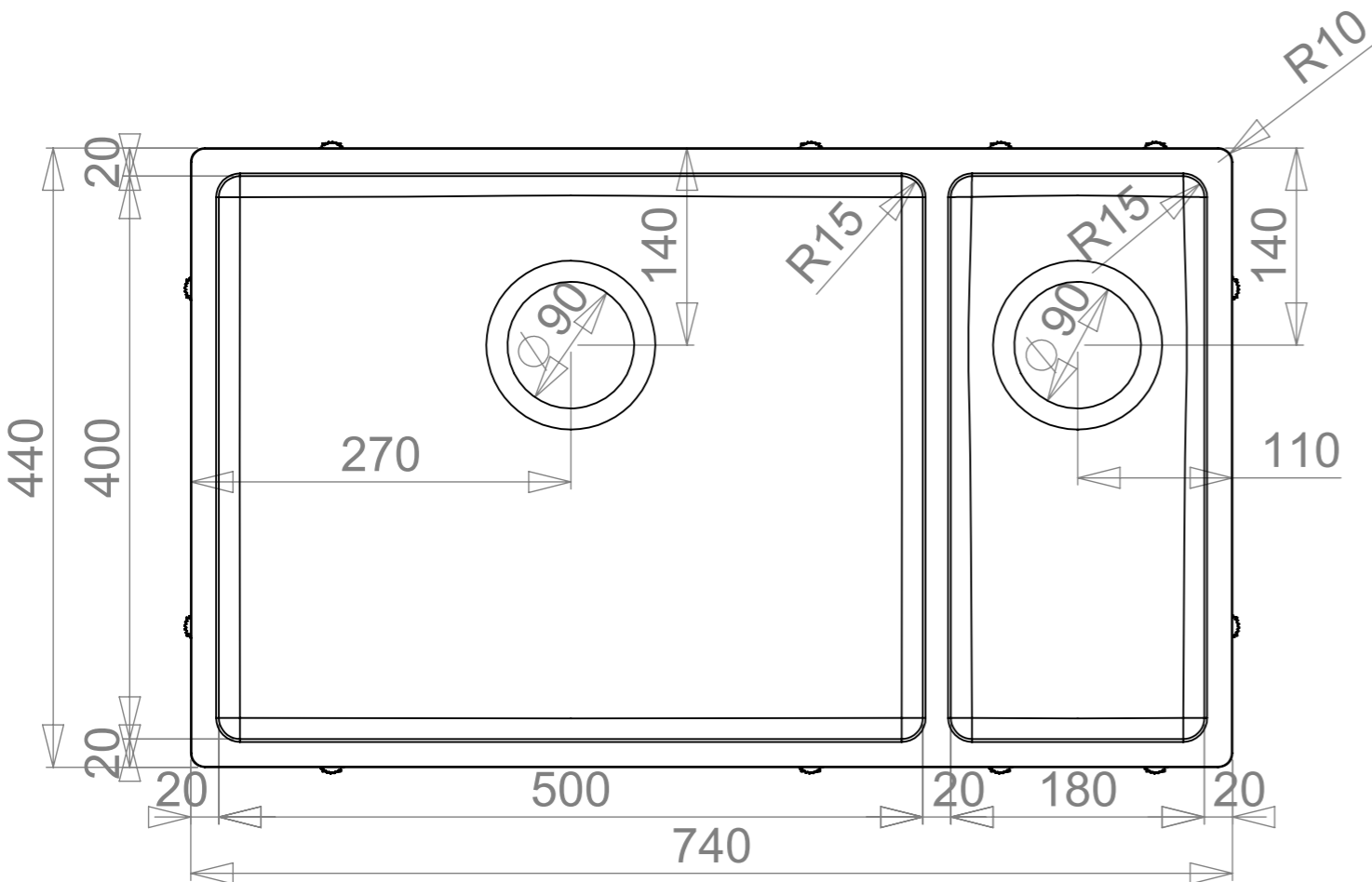
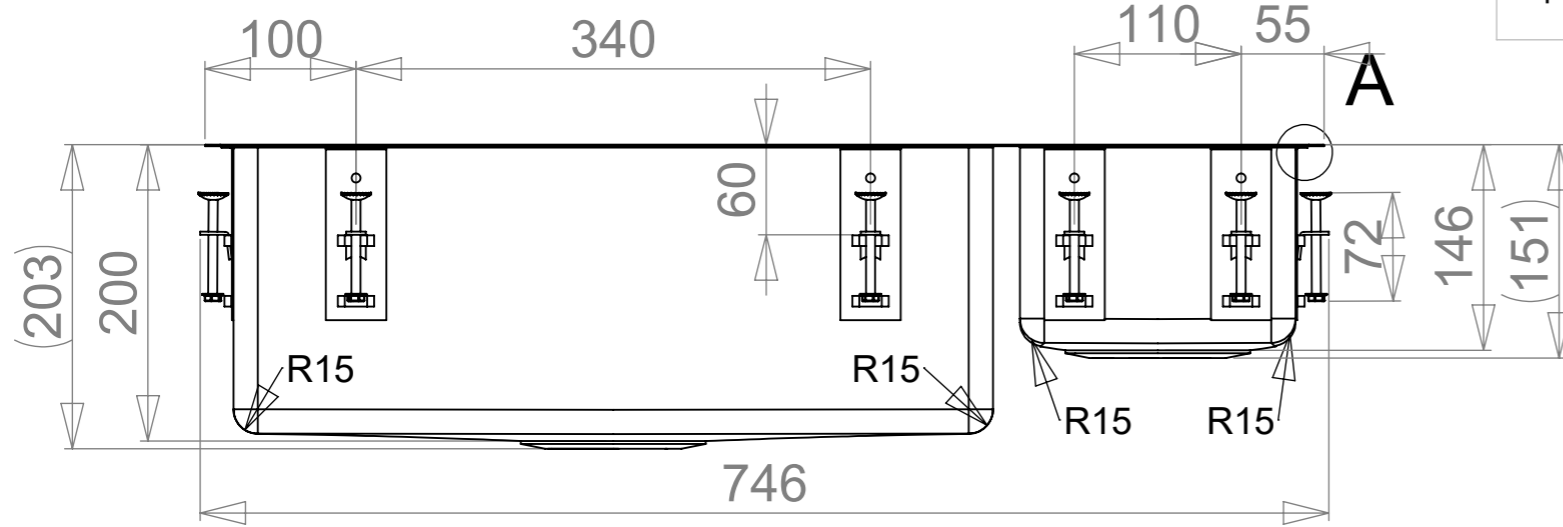


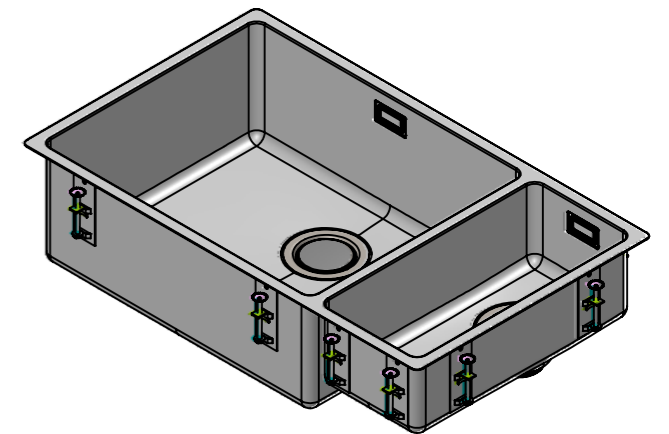
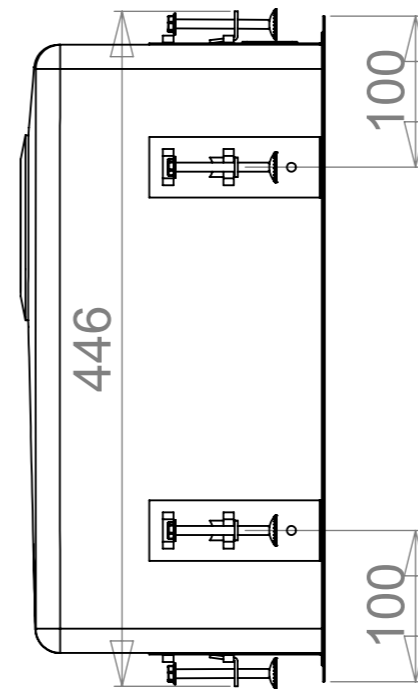
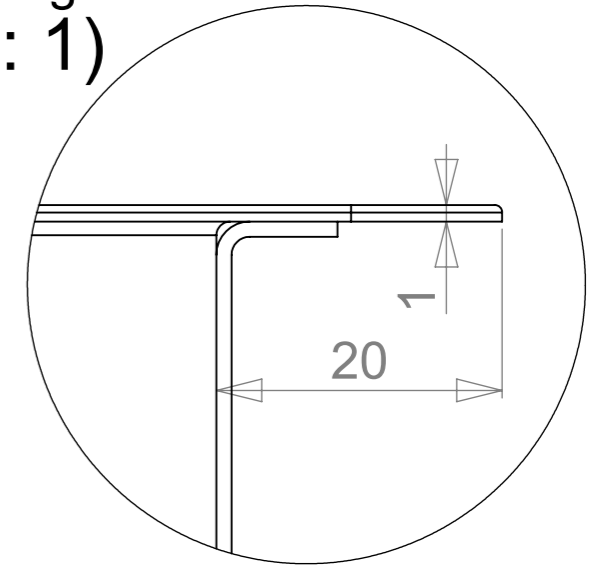
MAIN DIMENSIONS

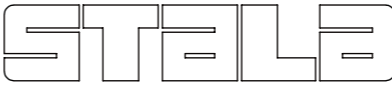


Change description  
Depth of the small basin changed: 140 -> 150 mm

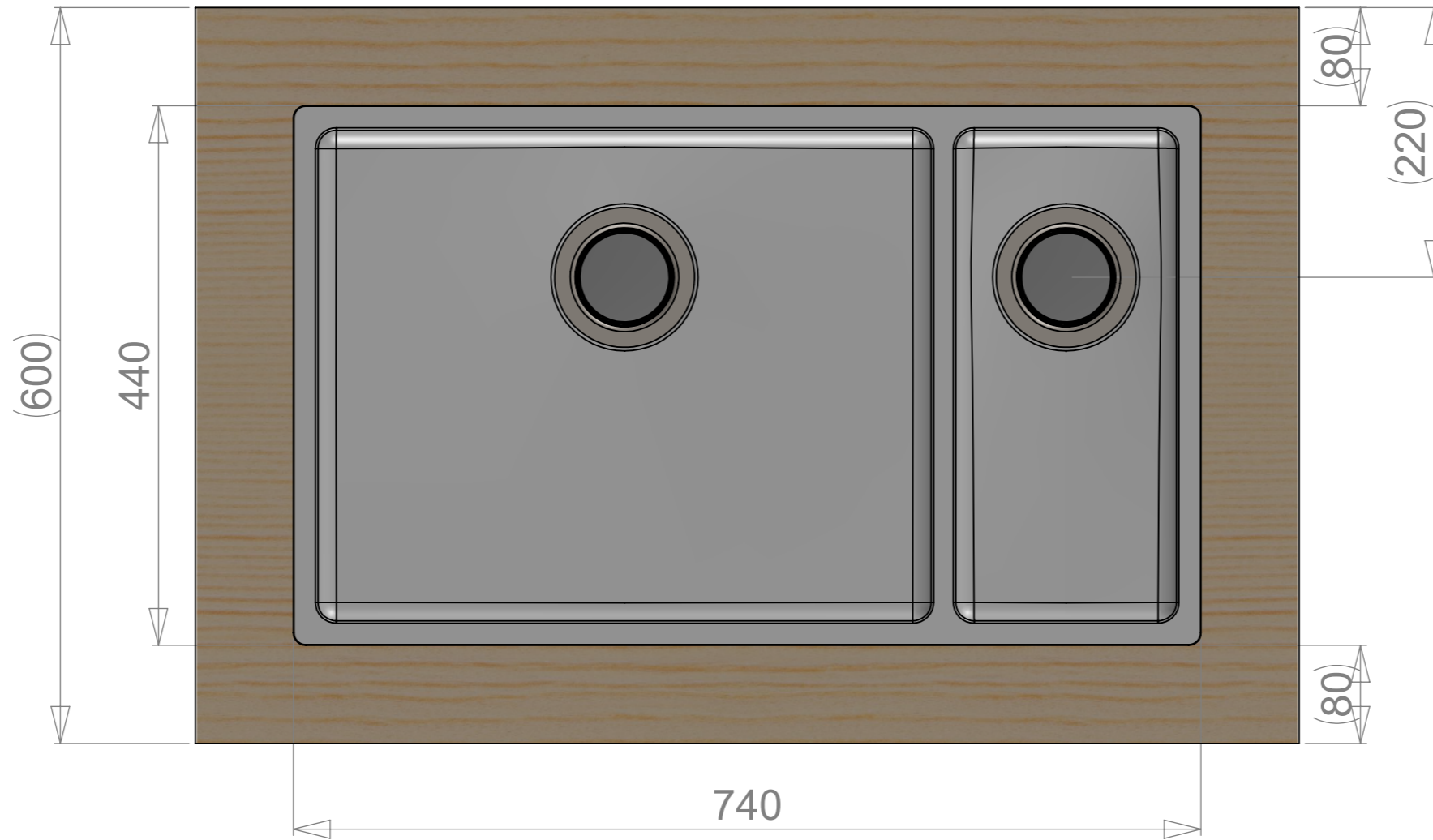
Date  
02.01.2020  
Designed by  
VS

Mono edge  
A (2 : 1)



|  |  |                   |                                |                            |
|--|--|-------------------|--------------------------------|----------------------------|
| <br>www.stala.com | Mass<br><b>27.80 kg</b>  | General tolerance | Designed by<br><b>VS</b>       | Date<br><b>07.02.2019</b>  |
|  | Size<br><b>A3</b>  |                   | Scale<br><b>1:5</b>            | Approved by                |
| <b>STALA</b><br>www.stala.com  | Description<br><b>LAGOM-50-18</b><br><b>Technical Data Sheet</b> |                   | Drawing number<br><b>18197</b> | Sheet/sheets<br><b>1/6</b> |
|  |  |                   |                                | Rev<br><b>B</b>            |

WORKTOP ASSEMBLY



Change description  
 Depth of the small basin changed: 140 -> 150 mm

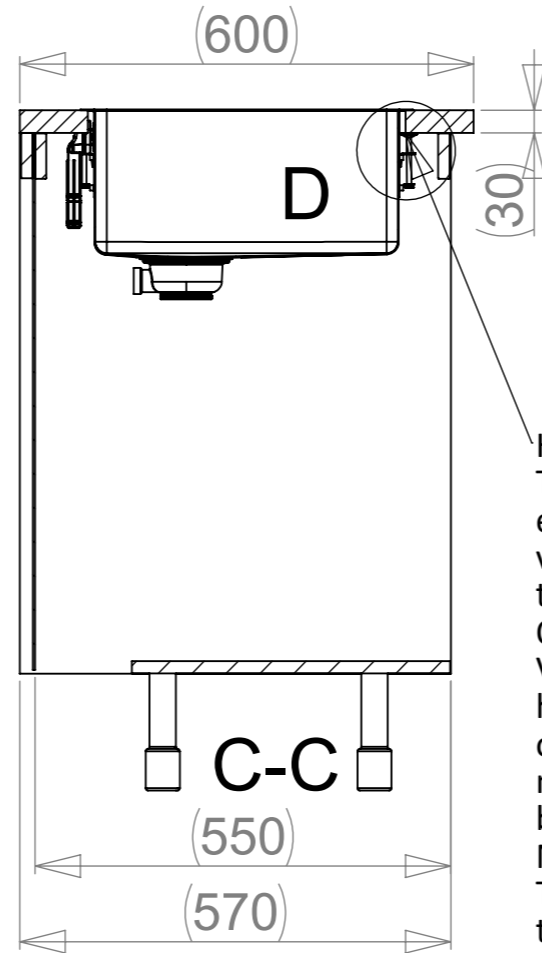
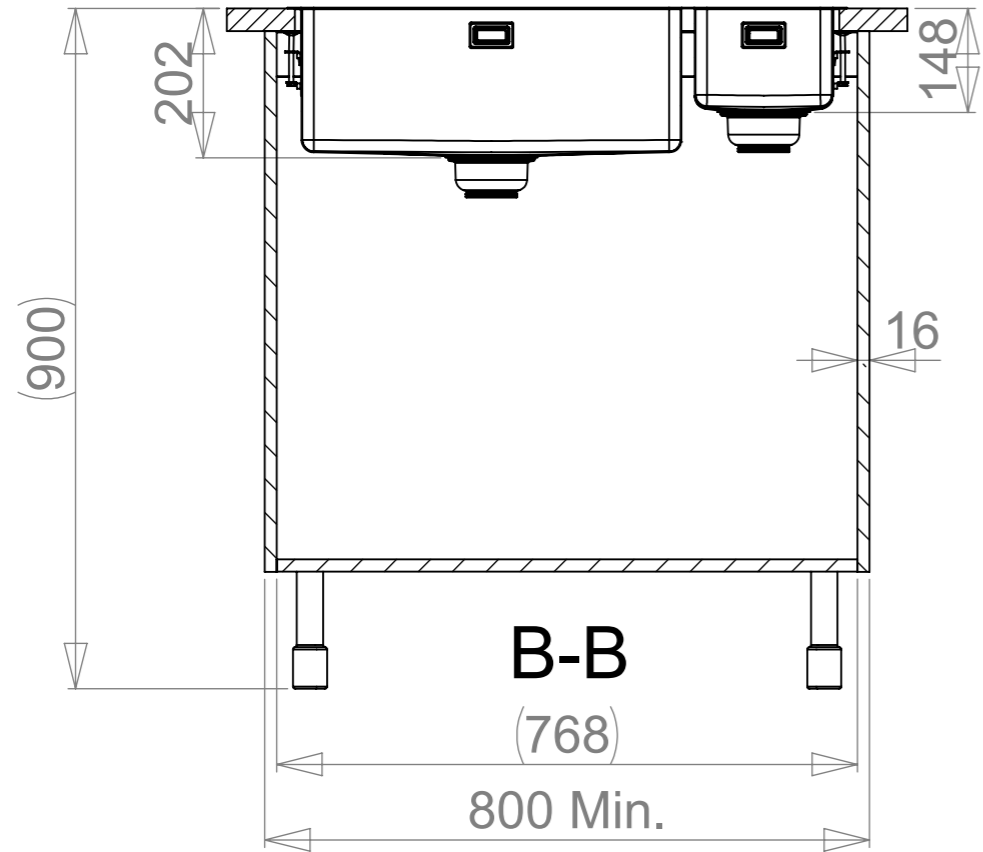
Date  
 02.01.2020  
 Designed by  
 VS

|                   |             |                      |                   |              |            |
|-------------------|-------------|----------------------|-------------------|--------------|------------|
|                   | Mass        | 27.80 kg             | General tolerance | Designed by  | Date       |
|                   | Size        | A3                   | Scale             | VS           | 07.02.2019 |
| <br>www.stala.com | Item        | LAGOM-50-18          | Approved by       | Date         |            |
|                   | Description | Technical Data Sheet | Drawing number    | Sheet/sheets | 2/6        |
|                   |             |                      | <b>18197</b>      | Rev          | B          |

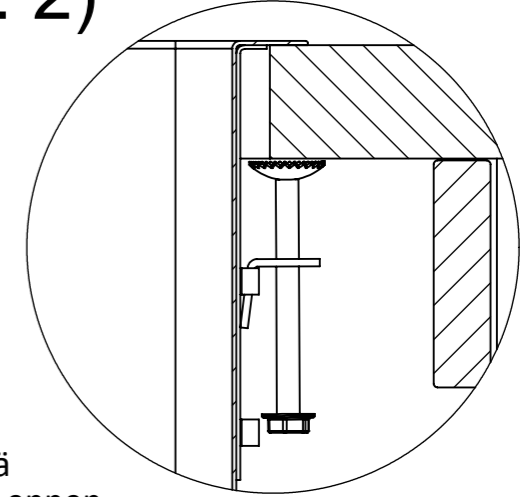
Change description  
 Depth of the small basin changed: 140 -> 150 mm

Date  
 02.01.2020  
 Designed by  
 VS

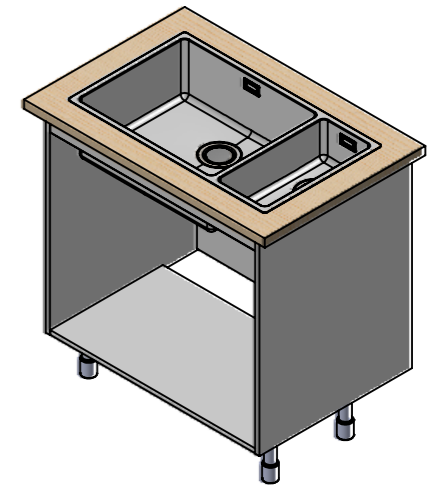
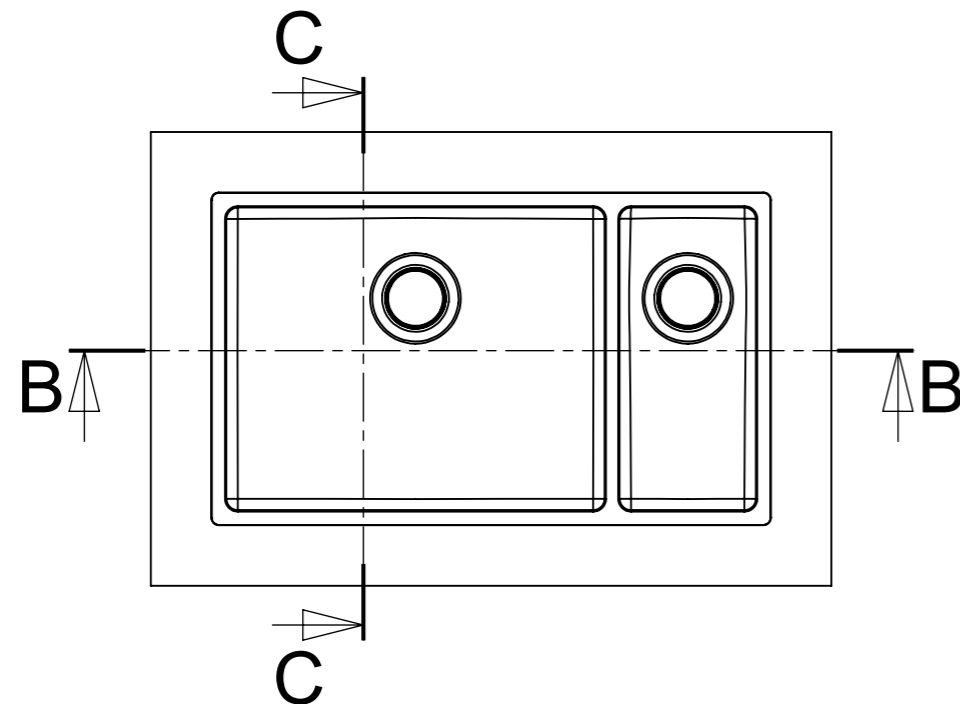
SPACE REQUIREMENTS



D (1 : 2)



**Huom!**  
 Tarvittaessa kaapin väliseinää ja etu/takalistaa lovetettava kiinnikkeitä varten ja pesuallas on kiinnitettävä ennen työtason asennusta.  
**Obs!**  
 Vid behov måste en inskärning för hofästena göras i skåpets mellanvägg och förbindningslist och diskbänken måste fästas innan du monterar bänkskivan.  
**Notice!**  
 The partition walls and front/back list of the cupboard must be notched for the sink mountings when needed and the sink must be fastened before installing the worktop.

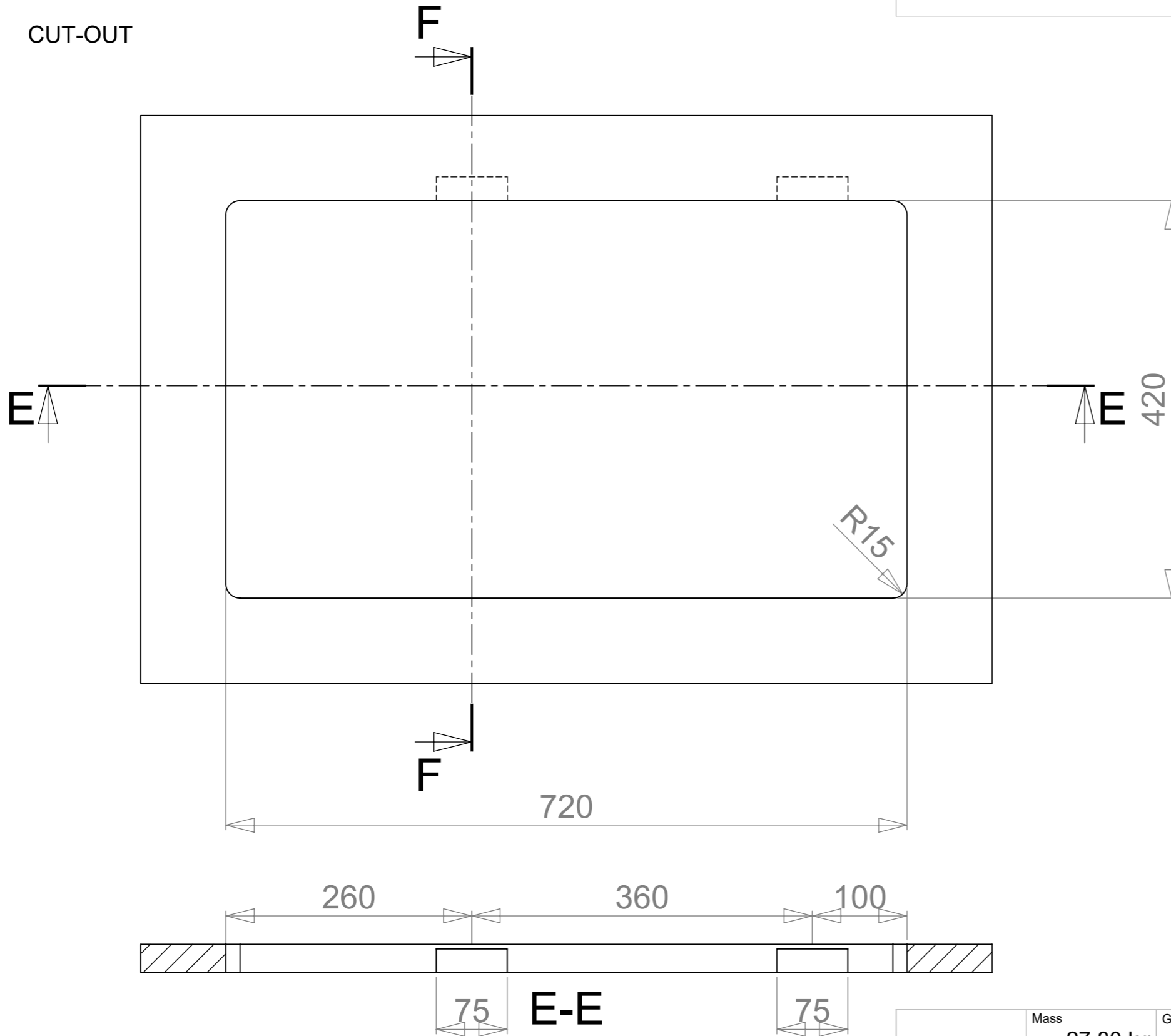


|                   |                                     |          |                   |                |       |              |            |
|-------------------|-------------------------------------|----------|-------------------|----------------|-------|--------------|------------|
|                   | Mass                                | 27.80 kg | General tolerance | Designed by    | VS    | Date         | 07.02.2019 |
|                   | Size                                | A3       |                   | Scale          | 1:10  | Approved by  |            |
| <br>www.stala.com | Description                         |          |                   | Drawing number | 18197 | Sheet/sheets | 3/6        |
|                   | LAGOM-50-18<br>Technical Data Sheet |          |                   | Rev            | B     |              |            |

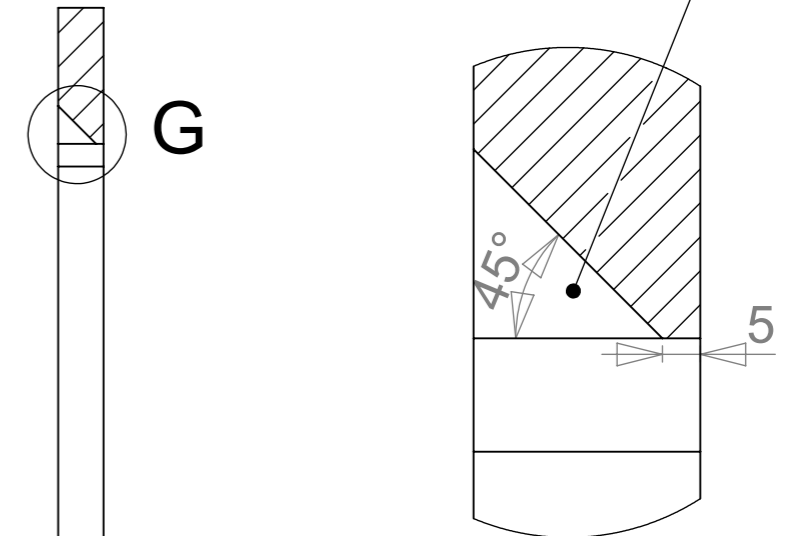
Change description  
 Depth of the small basin changed: 140 -> 150 mm

Date  
 02.01.2020  
 Designed by  
 VS

CUT-OUT

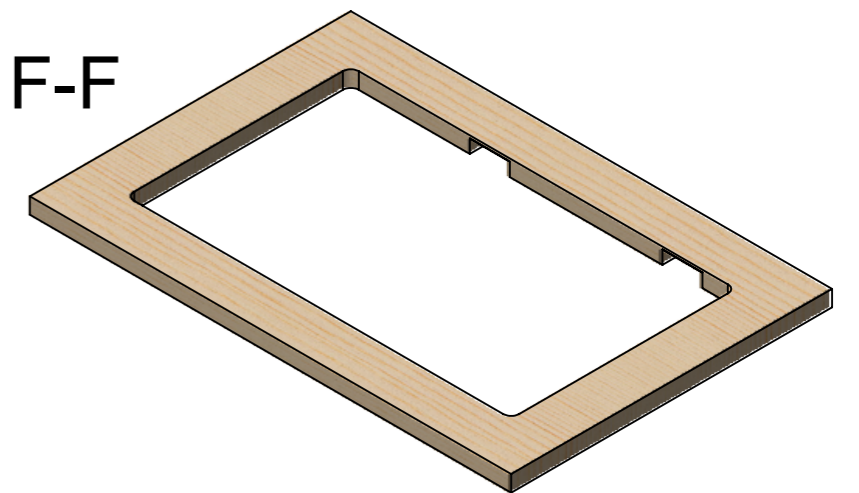


Cut-out for overflow



G (1 : 1)

F-F



|                   |                                     |          |                   |                |       |              |            |
|-------------------|-------------------------------------|----------|-------------------|----------------|-------|--------------|------------|
|                   | Mass                                | 27.80 kg | General tolerance | Designed by    | VS    | Date         | 07.02.2019 |
|                   | Size                                | A3       |                   | Scale          | 1:5   | Item         | Item       |
| <br>www.stala.com | Description                         |          |                   | Drawing number | 18197 | Sheet/sheets | 4/6        |
|                   | LAGOM-50-18<br>Technical Data Sheet |          |                   | Rev            | B     |              |            |

