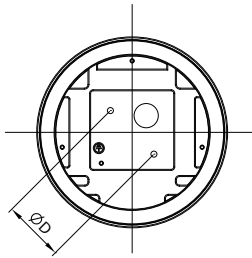
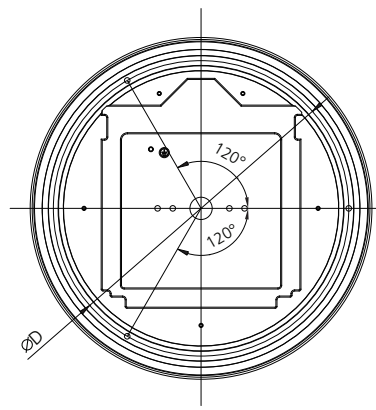


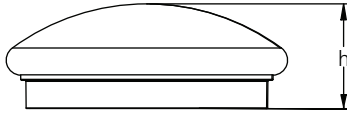
d = 180mm 6W
 d = 250mm 12W
 d = 330mm 18W
 d = 360mm 24W



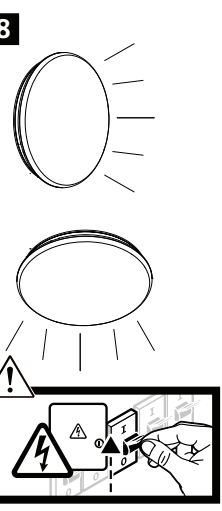
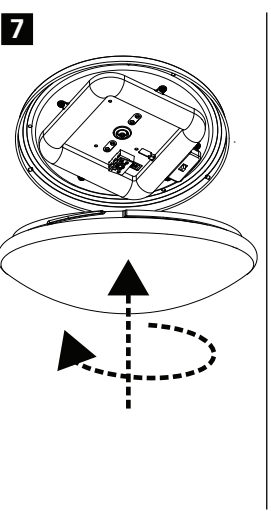
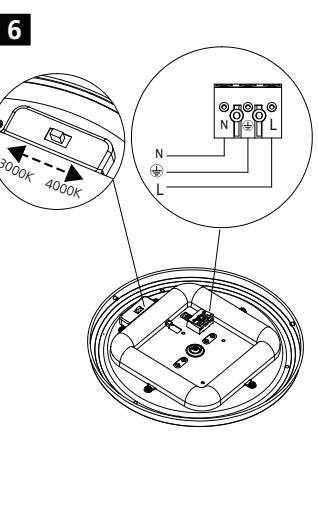
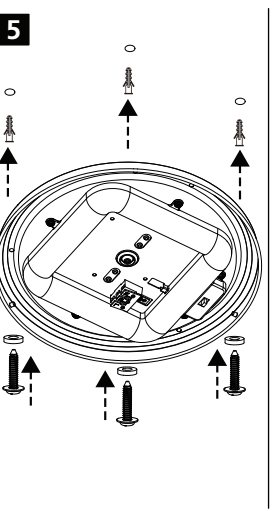
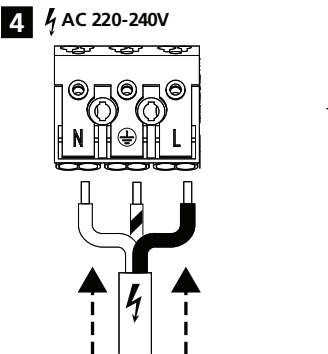
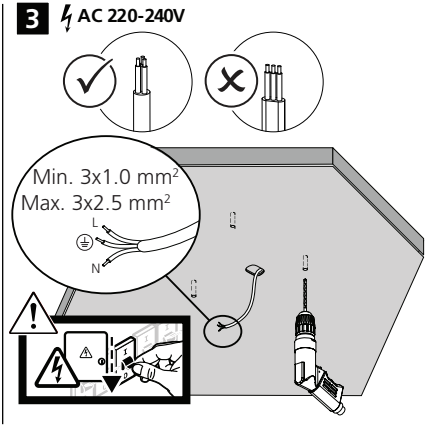
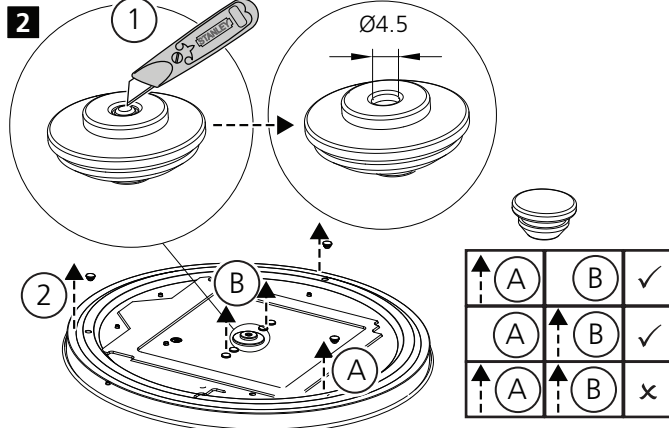
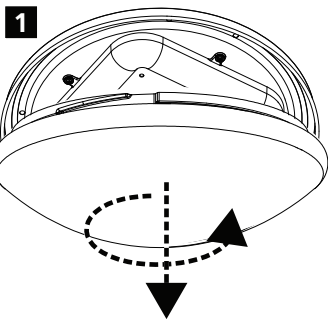
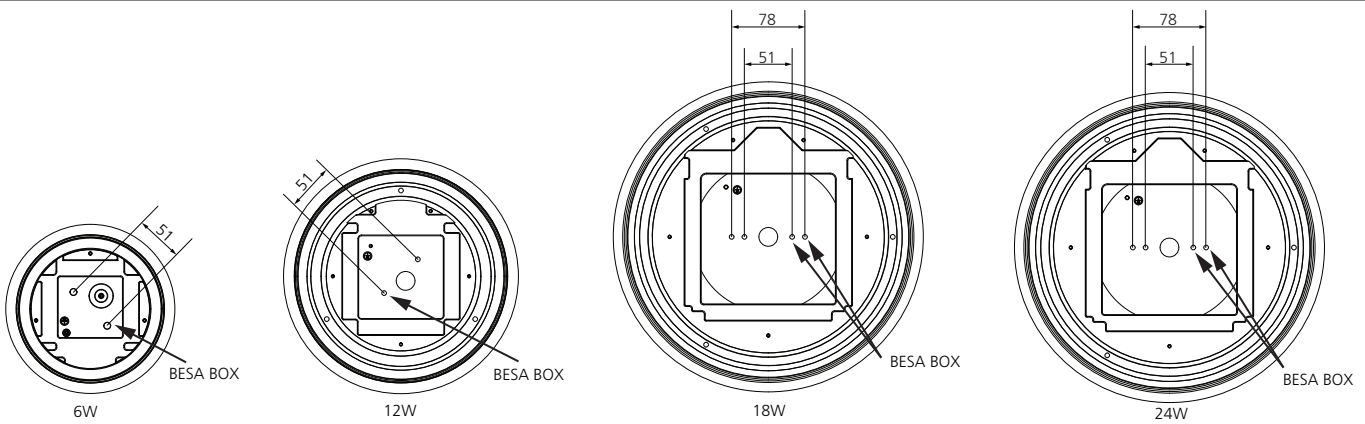
D=51mm 6W



D = 182 mm 12W
 D = 265 mm 18W
 D = 265 mm 24W



h = 75mm 6W
 h = 80mm 12W
 h = 96mm 18W
 h = 100mm 24W



5-7 mm max.11 mm 5-7 mm min. 3 x 1.00 mm² max. 3 x 2.50 mm²

	6W (pcs)	12W (pcs)	18W (pcs)	24W (pcs)
10A C-type	60	60	39	30
16A C-type	96	96	62	48