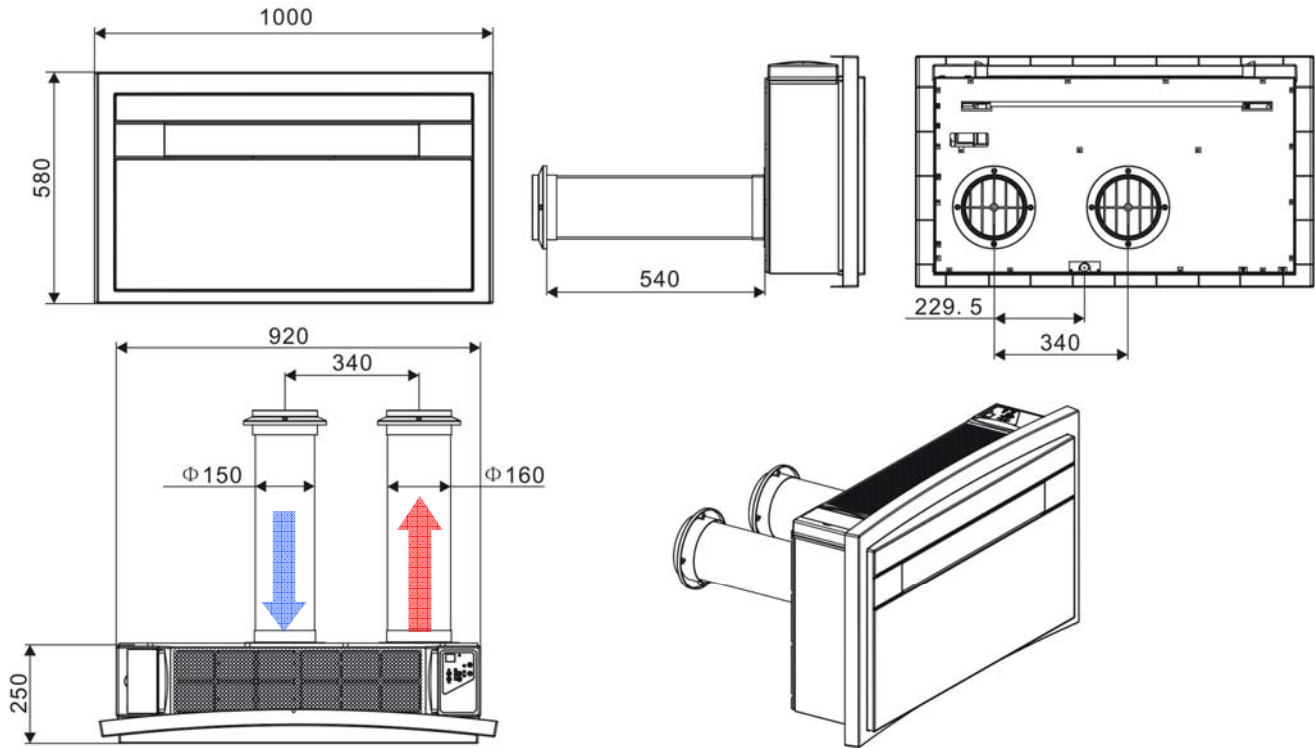


### 3. Overall Dimensions



**Note :** The external pipes have two different diameters , use  $\text{\O}160$  mm for air outlet side ( see red arrow ) and  $\text{\O}150$  mm for air inlet side ( see blue arrow ) .

