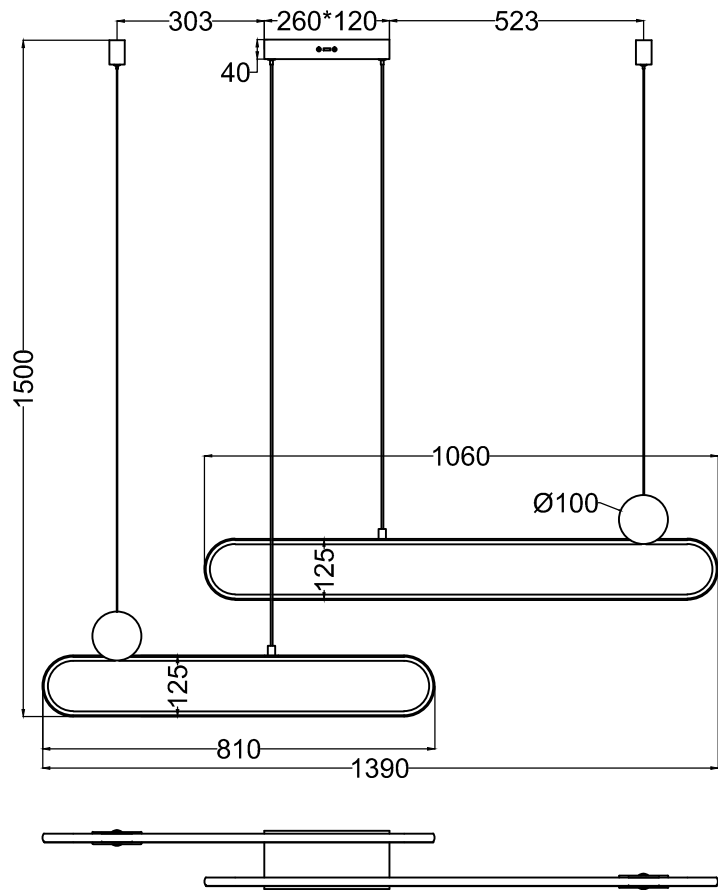
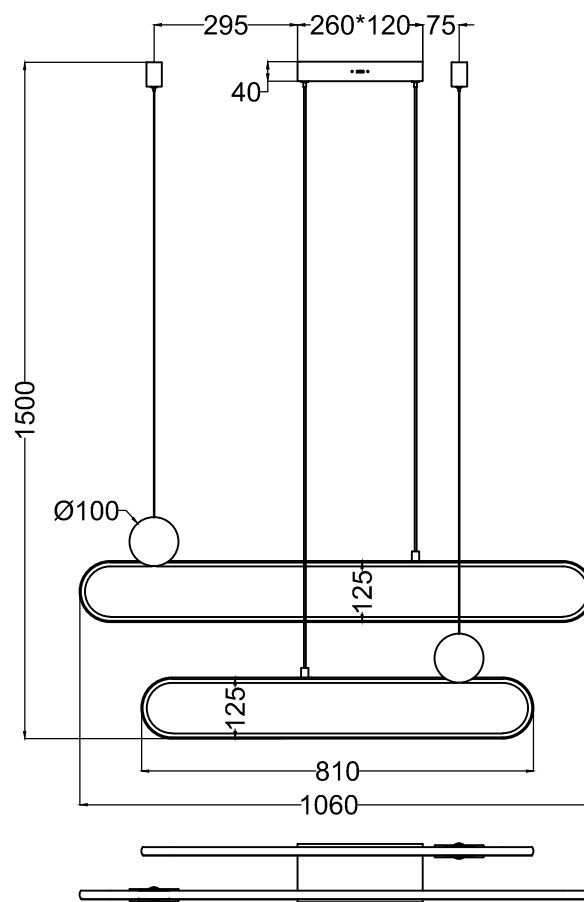


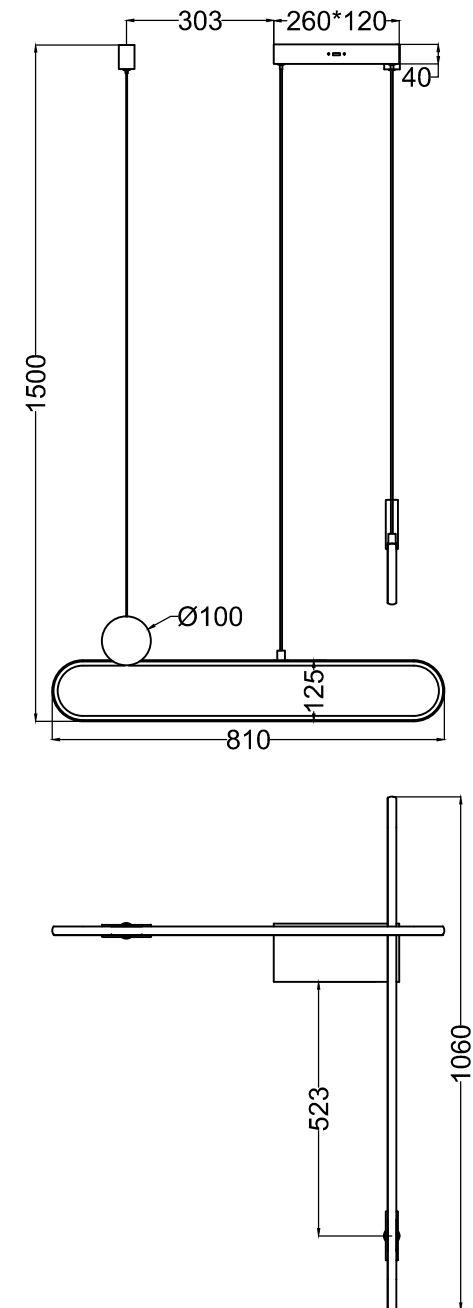
(A)



(B)



(C)



34271020x