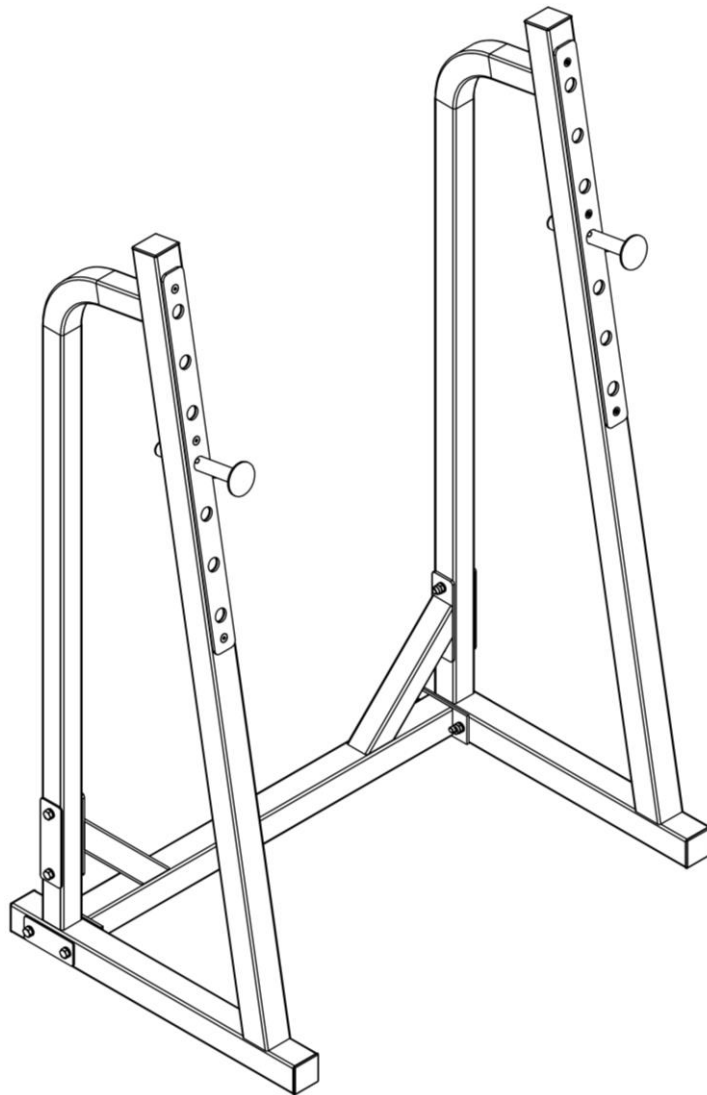


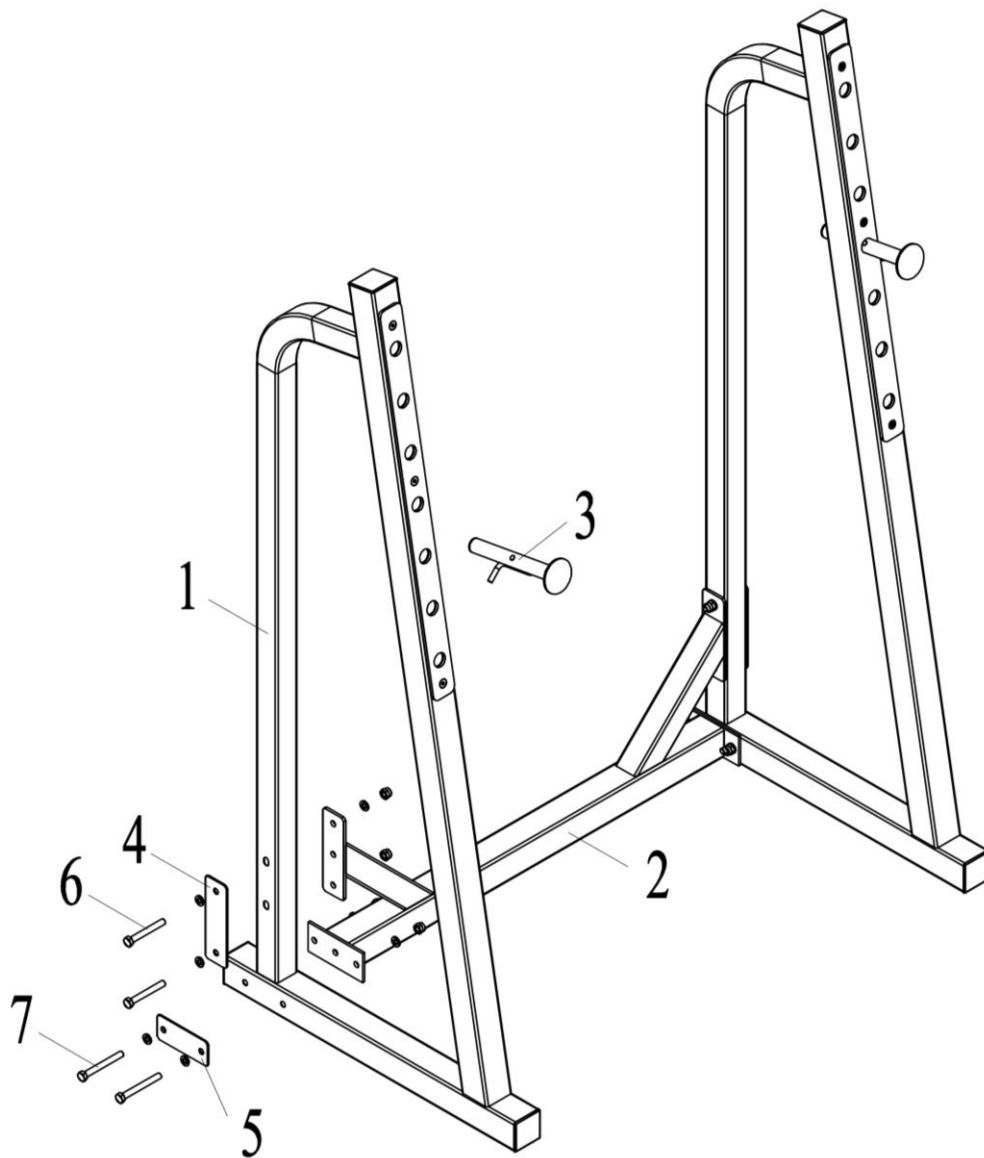
# **TUNTURI®**

## **SQUAT RACK**

17TSWT4000



## EXPLODED DRAWING



### PART LIST

NO.	DESCRIPTION	QTY
1	MAIN FRAME	2
2	CONNECTION	1
3	BAR HOLDER	2
4	REINFORCEMENT PLATE	2
5	REINFORCEMENT PLATE (SHORT)	2
6	BOLT M10*75 + TWO WASHERS 10 + LOCK NUT M10	4
7	BOLT M10*85 + TWO WASHERS 10 + LOCK NUT M10	4