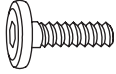
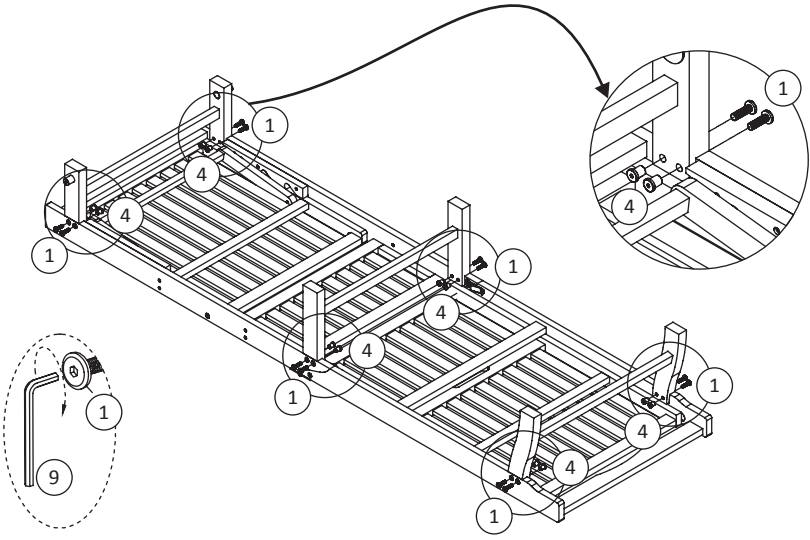


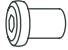
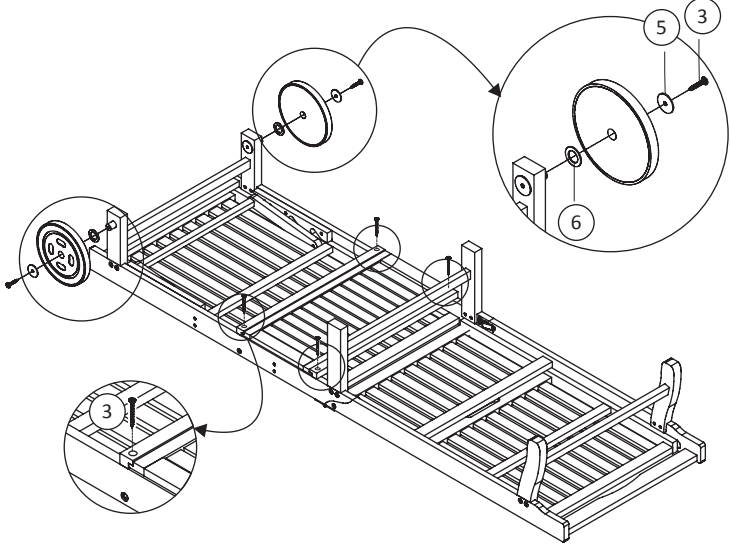



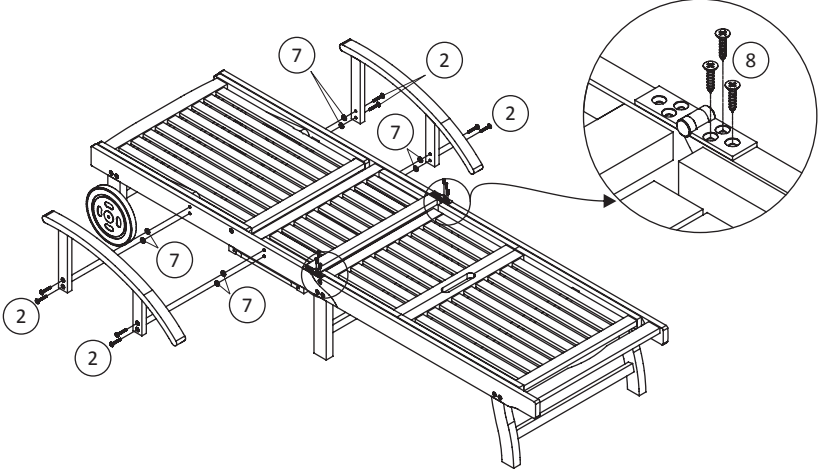





<p>1PC</p>	<p>1PC</p>	<p>mm inch</p>
------------	------------	--------------------

<p>1PC</p>	<p>1PC</p>	<p>1PC</p>	<p>1PC</p>
------------	------------	------------	------------

<p>2PCS</p>	<p>1PC</p>	<p>2PCS</p>	
-------------	------------	-------------	--

<p>① x12</p>  <p>M8x $\frac{25}{1}$</p>	<p>1</p> 
<p>② x8</p>  <p>M6x $\frac{35}{1.4}$</p>	
<p>③ x6</p>  <p>M6x $\frac{30}{1.2}$</p>	
<p>④ x12</p>  <p>M8x $\frac{13}{0.5}$</p>	<p>2</p> 
<p>⑤ x2</p> 	
<p>⑥ x2</p> 	
<p>⑦ x8</p> 	<p>3</p> 
<p>⑧ x6</p>  <p>M4x $\frac{15}{0.6}$</p>	
<p>⑨ x2</p> 